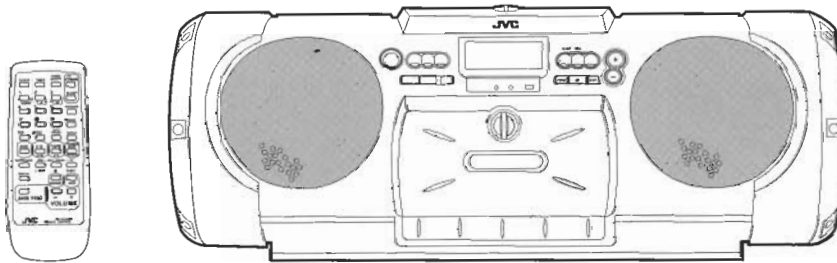


# JVC

## SERVICE MANUAL

### CD PORTABLE SYSTEM

# RV-B55/GY/BU/LTD



COMPACT  
**disc**  
DIGITAL AUDIO

#### Area Suffix RV-B55GY

A .....	Australia
B .....	U.K.
E .....	Continental Europe
EE ...	Russian Federation
EN .....	Northern Europe
EV .....	Eastern Europe
J .....	U.S.A.
UB .....	Hong Kong
US .....	Singapore
UT .....	Taiwan
UY .....	Argentina
UX .....	Saudi Arabia
U .....	Other Area

#### Area Suffix RV-B55BU RV-B55LTD

B .....	U.K.
E .....	Continental Europe
EN .....	Northern Europe
J .....	U.S.A.
UB .....	Hong Kong
US .....	Singapore
UT .....	Taiwan
U .....	Other Area

## Contents

Safety precautions .....	1-2	Replacement of laser pickup .....	2-10
Importance administering point on the safety .....	1-3	Adjusting procedure .....	2-11
Important for laser products .....	1-4	Description of major ICs .....	2-15
Instructions .....	1-5	Block diagram .....	3-1
Disassembly method .....	2-1	Standard schematic diagrams .....	3-2
Flow of functional operation until TOC read .....	2-9	Printed circuit boards .....	3-12
Maintenance of laser pickup .....	2-10	Parts list (UB/US/UT/UY/UX/U version) ...	4-1
		Parts list (B/E/EE/EN/EV version) .....	5-1
		Parts list (A/J version) .....	6-1

## Safety Precautions

1. This design of this product contains special hardware and many circuits and components specially for safety purposes. For continued protection, no changes should be made to the original design unless authorized in writing by the manufacturer. Replacement parts must be identical to those used in the original circuits. Services should be performed by qualified personnel only.
2. Alterations of the design or circuitry of the product should not be made. Any design alterations of the product should not be made. Any design alterations or additions will void the manufacturer's warranty and will further relieve the manufacture of responsibility for personal injury or property damage resulting therefrom.
3. Many electrical and mechanical parts in the products have special safety-related characteristics. These characteristics are often not evident from visual inspection nor can the protection afforded by them necessarily be obtained by using replacement components rated for higher voltage, wattage, etc. Replacement parts which have these special safety characteristics are identified in the Parts List of Service Manual. Electrical components having such features are identified by shading on the schematics and by ( $\Delta$ ) on the Parts List in the Service Manual. The use of a substitute replacement which does not have the same safety characteristics as the recommended replacement parts shown in the Parts List of Service Manual may create shock, fire, or other hazards.
4. The leads in the products are routed and dressed with ties, clamps, tubings, barriers and the like to be separated from live parts, high temperature parts, moving parts and/or sharp edges for the prevention of electric shock and fire hazard. When service is required, the original lead routing and dress should be observed, and it should be confirmed that they have been returned to normal, after re-assembling.
5. Leakage current check (Electrical shock hazard testing)  
After re-assembling the product, always perform an isolation check on the exposed metal parts of the product (antenna terminals, knobs, metal cabinet, screw heads, headphone jack, control shafts, etc.) to be sure the product is safe to operate without danger of electrical shock. Do not use a line isolation transformer during this check.

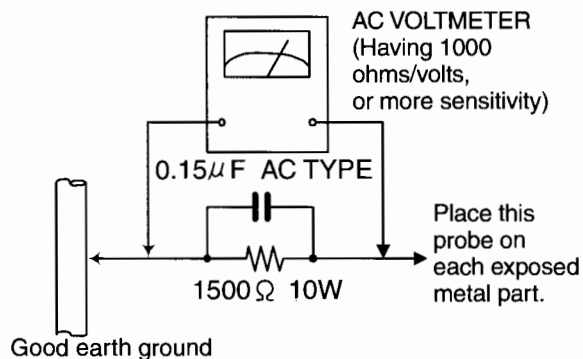
- Plug the AC line cord directly into the AC outlet. Using a "Leakage Current Tester", measure the leakage current from each exposed metal parts of the cabinet, particularly any exposed metal part having a return path to the chassis, to a known good earth ground. Any leakage current must not exceed 0.5mA AC (r.m.s.)

- Alternate check method

Plug the AC line cord directly into the AC outlet. Use an AC voltmeter having, 1,000 ohms per volt or more sensitivity in the following manner. Connect a  $1,500\Omega$  10W resistor paralleled by a  $0.15\mu\text{F}$  AC-type capacitor between an exposed metal part and a known good earth ground.

Measure the AC voltage across the resistor with the AC voltmeter.

Move the resistor connection to each exposed metal part, particularly any exposed metal part having a return path to the chassis, and measure the AC voltage across the resistor. Now, reverse the plug in the AC outlet and repeat each measurement. voltage measured Any must not exceed 0.75 V AC (r.m.s.). This corresponds to 0.5 mA AC (r.m.s.).

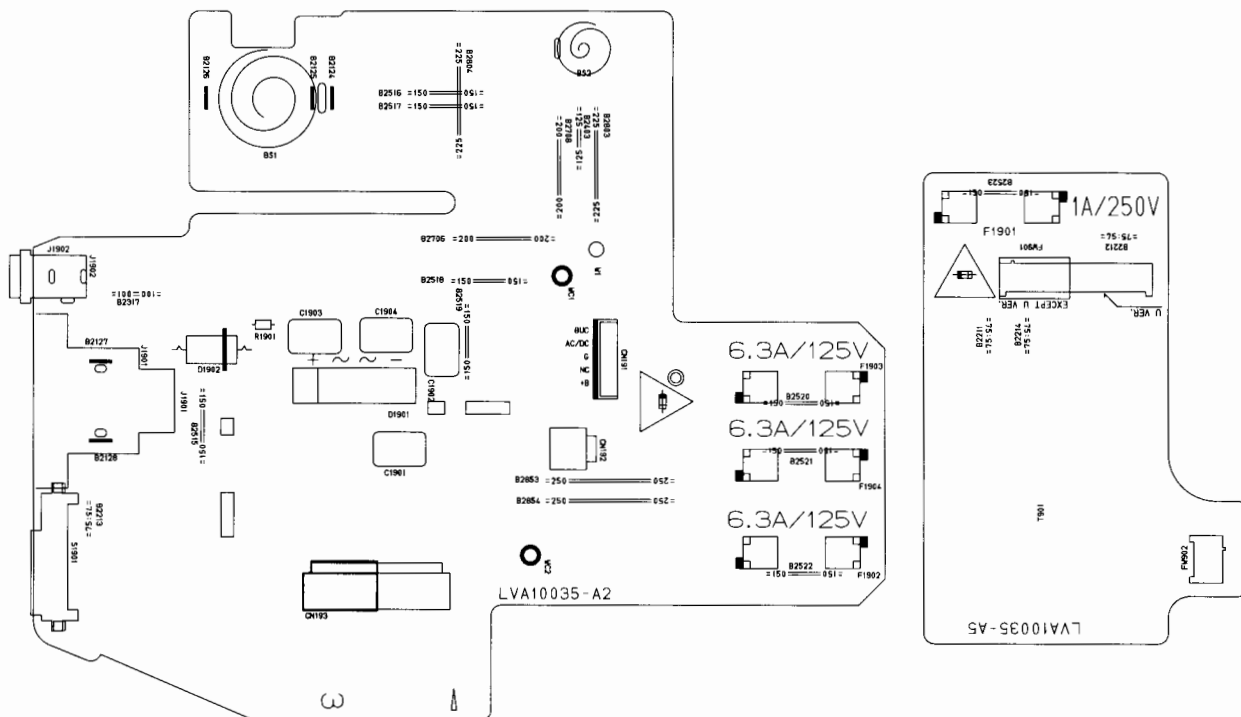


## Warning

1. This equipment has been designed and manufactured to meet international safety standards.
2. It is the legal responsibility of the repairer to ensure that these safety standards are maintained.
3. Repairs must be made in accordance with the relevant safety standards.
4. It is essential that safety critical components are replaced by approved parts.
5. If mains voltage selector is provided, check setting for local voltage.

**CAUTION** Burrs formed during molding may be left over on some parts of the chassis. Therefore, pay attention to such burrs in the case of performing repair of this system.

# Importance admistering point on the safety



Note : It's means "J" for U.S.A. and Canada market model.

<b>RV-B55J ONLY</b>
<b>Full Fuse Replacement Marking</b>
Graphic symbol mark (This symbol means fast blow type fuse.)
should be read as follows ;
<b>FUSE CAUTION</b>
<b>FOR CONTINUED PROTECTION AGAINST RISK OF FIRE, REPLACE ONLY WITH SAME TYPE AND RATING OF FUSES ;</b>
<b>F1901 : 1.0-A, 250-V</b> <b>F1902 : 6.3-A, 125-V</b> <b>F1903 : 6.3-A, 125-V</b> <b>F1904 : 6.3-A, 125-V</b>

<b>RV-B55J SEULEMENT</b>
<b>Marquage Pour Le Remplacement Complet De Fusible</b>
Le symbole graphique (Ce symbole signifie fusible de type à fusion rapide.)
doit être interprété comme suit ;
<b>PRECAUTIONS SUR LES FUSIBLES</b>
<b>POUR UNE PROTECTION CONTINUE CONTRE DES RISQUES D'INCENDIE, REMPLACER SEULEMENT PAR UN FUSIBLE DU MEME TYPE ;</b>
<b>F1901 : 1.0-A, 250-V</b> <b>F1902 : 6.3-A, 125-V</b> <b>F1903 : 6.3-A, 125-V</b> <b>F1904 : 6.3-A, 125-V</b>

# Important for laser products

## 1.CLASS 1 LASER PRODUCT

**2.DANGER :** Invisible laser radiation when open and interlock failed or defeated. Avoid direct exposure to beam.

**3.CAUTION :** There are no serviceable parts inside the Laser Unit. Do not disassemble the Laser Unit. Replace the complete Laser Unit if it malfunctions.

**4.CAUTION :** The compact disc player uses invisible laserradiation and is equipped with safety switches which prevent emission of radiation when the drawer is open and the safety interlocks have failed or are defeated. It is dangerous to defeat the safety switches.

**5.CAUTION :** If safety switches malfunction, the laser is able to function.

**6.CAUTION :** Use of controls, adjustments or performance of procedures other than those specified herein may result in hazardous radiation exposure.



**CAUTION Please use enough caution not to see the beam directly or touch it in case of an adjustment or operation check.**

**VARNING :** Osynlig laserstrålning är denna del är öppnad och spårren är urkopplad. Betrakta ej strålen.

**VARO :** Avattaessa ja suojalukitus ohitettaessa olet alltiina näkymättömälle lasersäteilylle. Älä katso säteeseen.

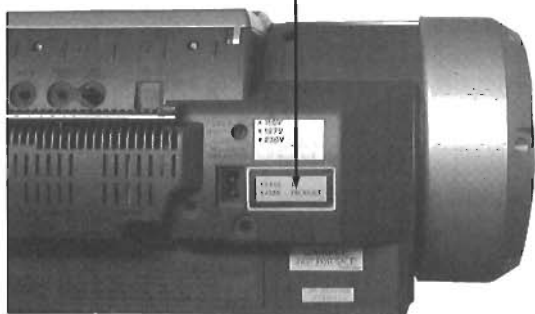
**ADVARSEL :** Usynlig laserstrålning ved åbning , når sikkerhedsafbrydere er ude af funktion. Undgå udsættelse for stråling.

**ADVARSEL :** Usynlig laserstrålning ved åbning,når sikkerhetsbryteren er avslott. unngå utsettelse for stråling.

## REPRODUCTION AND POSITION OF LABELS

### WARNING LABEL

CLASS 1  
LASER PRODUCT

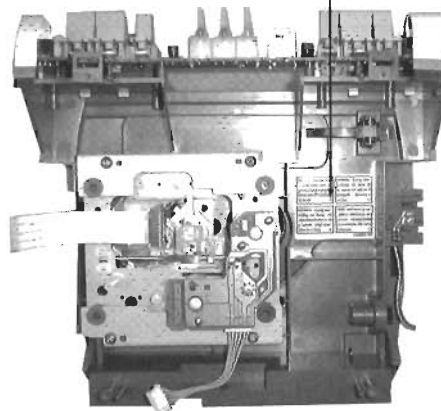


DANGER : Invisible laser radiation when open and interlock or defeated.  
AVOID DIRECT EXPOSURE TO BEAM (e)

VARO : Avattaessa ja suojalukitus ohitettaessa olet alltiina näkymättömälle lasersäteilylle. Älä katso säteeseen. (d)

VARNING : Osynlig laserstrålning är denna del är öppnad och spårren är urkopplad. Betrakta ej strålen. (s)

ADVARSEL : Usynlig laserstrålning ved åbning , når sikkerhedsafbrydere er ude af funktion. Undgå udsættelse for stråling. (f)



# Instructions



# JVC

## General Speakers (Impedance)

Full range: 10 cm (3-15/16") x 2 (4 1/2")  
 : 12 watts per channel, min. RMS,  
 at 4 ohms from 150 Hz to 15 kHz  
 harmonic distortion (for U.S.A.)  
 (Max.) 26 W (13 W + 13 W) at  
 4 Ω (for Canada)  
 : 12 mW/ch, 32 Ω, Matching  
 PHONES (Level 0-140)  
 Impedance: 16 Ω - 1 kΩ  
 Power requirements : AC 120 V, 60 Hz  
 & 12 V (R20D) (13F\*) batteries

## General Speakers (Impedance)

Limites totales: 10 cm x 2 (4 1/2")  
 : 12 watts par canal, min. RMS,  
 à 4 Ω de 150 Hz à 15 kHz  
 distorsion harmonique totale (pour  
 EE.U.U.) : 26 W (13 W + 13 W) à 4 Ω  
 (pour Canada)  
 : AUX IN (300 mW/4 kΩ)  
 PHONES (niveau de sortie 0 -  
 12 mW/ch, 32 Ω, Impédance  
 de adaptation: 16 Ω - 1 kΩ)

## General Speakers (Impedance)

Limites totales: 10 cm x 2 (4 1/2")  
 : 12 watts par canal, min. RMS,  
 à 4 Ω de 150 Hz à 15 kHz  
 distorsion harmonique totale (pour  
 EE.U.U.) : 26 W (13 W + 13 W) à 4 Ω  
 (pour Canada)  
 : AUX IN (300 mW/4 kΩ)  
 PHONES (niveau de sortie 0 -  
 12 mW/ch, 32 Ω, Impédance  
 de adaptation: 16 Ω - 1 kΩ)

## Power consumption

27 W (with POWER SW ON)  
 3.0 W (with POWER SW en ON)  
 3.0 W (with POWER SW en ON)

## Power consumption

27 W (avec l'interrupteur  
 ouvert)  
 3,0 W (avec l'interrupteur  
 fermé)  
 3,0 W (avec l'interrupteur  
 fermé)

## Power consumption

27 W (avec l'interrupteur  
 ouvert)  
 3,0 W (avec l'interrupteur  
 fermé)  
 3,0 W (avec l'interrupteur  
 fermé)

## Dimensions

541 (W) x 215 (H) x 259 (D) mm  
 (21-5/16" x 8-1/2" x 10-1/4")  
 including knobs  
 541 (W) x 215 (H) x 259 (D) mm  
 (21-5/16" x 8-1/2" x 10-1/4")  
 without knobs

## Dimensions

541 (L) x 215 (H) x 259 (P) mm,  
 incluyendo las perillas  
 541 (L) x 215 (H) x 259 (P) mm,  
 incluyendo las perillas

## Dimensions

541 (L) x 215 (H) x 259 (D) mm,  
 incluyendo las perillas  
 541 (L) x 215 (H) x 259 (D) mm,  
 incluyendo las perillas

## Accessories provided

AC power cord x 1  
 Remote control unit (RM-  
 RBV55) x 1  
 Shoulder strap x 1

## Accessories provided

Cable de alimentación CA x 1  
 Botón de telecomando  
 (RM-RBV55) x 1  
 Bandolera x 1

## Accessories provided

Cable de alimentación CA x 1  
 Botón de telecomando  
 (RM-RBV55) x 1  
 Bandolera x 1

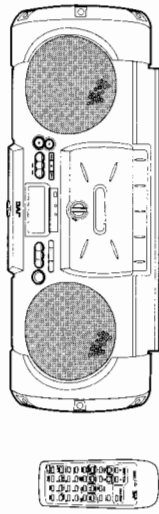
## Design and specifications are subject to change without notice.

## Présentation et caractéristiques modifiables sans préavis.

## Présentation et caractéristiques modifiables sans préavis.

## CD PORTABLE SYSTEM SISTEMA PORTATIL CON CD CHAÎNE PORTABLE A CD

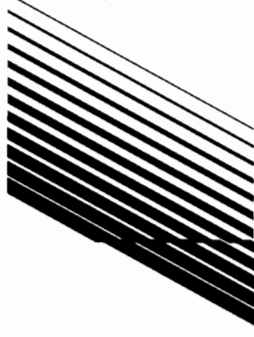
# RV-B55 GY/BU/LTD



**COMPACT DISC**  
 DIGITAL AUDIO

**JVC**  
 VICTOR COMPANY OF JAPAN, LIMITED

## INSTRUCTIONS INSTRUCCIONES MANUEL D'INSTRUCTIONS



**For Customer Use:**  
 Enter below the Model No. and Serial No. which are located on the rear of the cabinet. Retain this information for future reference.  
 Model No. \_\_\_\_\_  
 Serial No. \_\_\_\_\_

LVT0209-002A  
 (J)

0399MNMU/A/EIN

EN, SP, FR

ENGLISH

Thank you for purchasing this JVC product. Please read these instructions carefully before starting operation to be sure to obtain optimum performance and a longer service life from the unit.



CONTENTS

Features ..... 3  
 Safety precautions ..... 4  
 Handling precautions ..... 5  
 Shoulder strap attachment/detachment ..... 6  
 Connections ..... 7  
 Power supply ..... 7  
 Names of parts and their functions ..... 11  
 Remote control unit ..... 13  
 Switching the power on/off ..... 15  
 Volume, sound mode and other controls ..... 16  
 Handling CDs ..... 18  
 Playing CDs ..... 19  
 Handling cassette tapes ..... 23  
 Cassette playback ..... 24  
 Using with another audio unit ..... 25  
 Radio reception ..... 26  
 Recording ..... 29  
 Clock adjustment ..... 32  
 Timer operations ..... 33  
 Maintenance ..... 37  
 Troubleshooting ..... 38  
 Specifications ..... 39

ESPAÑOL

Le agradecemos la adquisición de este producto de JVC. Por favor lea detenidamente las instrucciones antes de comenzar la operación para obtener el máximo rendimiento y una vida de servicio más larga.

INDICE

Características ..... 3  
 Precauciones de seguridad ..... 4  
 Precauciones de manipulación ..... 5  
 Conexión/extracción de la correa para el hombro ..... 6  
 Conexiones ..... 7  
 Alimentación ..... 7  
 Nombres de las partes y sus funciones ..... 11  
 Unidad de control remoto ..... 13  
 Conexión/desconexión de la alimentación ..... 15  
 Volumen, modo de sonido y otros controles ..... 16  
 Manipulación de CD ..... 18  
 Reproducción de CD ..... 19  
 Manipulación de cassettes ..... 23  
 Reproducción de cassettes ..... 24  
 Empleo de otra unidad de audio ..... 25  
 Radiorecepción ..... 26  
 Grabación ..... 29  
 Ajuste del reloj ..... 32  
 Operaciones por temporizador ..... 33  
 Mantenimiento ..... 37  
 Detección de problemas ..... 38  
 Especificaciones ..... 39

FRANÇAIS

Mous vous remercions d'avoir acheté cet appareil JVC. Veuillez lire consciencieusement les instructions avant de commencer l'opération pour obtenir les performances optimales et une durée de vie plus longue de cet appareil.

SOMMAIRE

Caractéristiques ..... 3  
 Consignes de sécurité ..... 4  
 Précautions de manipulation ..... 5  
 Fixation/défixation de la bandoulière ..... 6  
 Raccordements ..... 7  
 Alimentation ..... 7  
 Normes des pièces et leurs fonctions ..... 11  
 Boîtier de télécommande ..... 13  
 Télécommande ..... 15  
 Volume, mode de son et autres commandes ..... 16  
 Manipulation des disques audio/numériques ..... 18  
 Lecture de disques audio/numériques ..... 19  
 Manipulation des cassettes ..... 23  
 Lecture de cassette ..... 24  
 Utilisation avec un autre appareil audio ..... 25  
 Réception radio ..... 26  
 Enregistrement ..... 29  
 Réglage de l'horloge ..... 32  
 Fonctionnement de la minuterie ..... 33  
 Entretien ..... 37  
 En cas de pannes ..... 38  
 Caractéristiques techniques ..... 39

**WARNING:**  
 TO REDUCE THE RISK OF FIRE OR ELECTRIC SHOCK, DO NOT EXPOSE THIS APPLIANCE TO RAIN OR MOISTURE.

**CAUTION**  
 READ OR NOT OPEN THE COVER OF THIS SHOCK-NO USER-SERVICEABLE PARTS INSIDE. REFER SERVICE TO QUALIFIED SERVICE PERSONNEL.

**ADVERTENCIA:**  
 PARA REDUCIR EL RIESGO DE INCENDIO O DE CHOQUES ELÉCTRICOS, NO EXPONGA ESTE APARATO A LA LLUVIA O A LA HUMEDAD.

The lightning flash with arrowhead symbol, within an equilateral triangle, is intended to alert the user to the presence of uninsulated "dangerous voltage" within the product's enclosure that may be of sufficient magnitude to constitute a risk of electric shock to persons.

The exclamation point within an equilateral triangle is intended to alert the user to the presence of important instructions accompanying the appliance.

**AVERTISSEMENT:**  
 POUR RÉDUIRE LES RISQUES D'INCENDIE OU D'ÉLECTROCUTION, NE PAS EXPOSER L'APPAREIL À LA PLUIE NI À L'HUMIDITÉ.

INFORMATION (For U.S.A.)

This equipment has been tested and found to comply with the limits for a Class B digital device, pursuant to Part 15 of the FCC Rules. These limits are designed to provide reasonable protection against harmful interference in a residential installation. This equipment generates, uses, and can radiate radio frequency energy and, if not installed and used in accordance with the instructions, may cause harmful interference to radio communications. However, there is no guarantee that interference will not occur in a particular installation. If interference does occur, you may wish to take the following steps to correct the interference by one or more of the following measures:

- Reorient or relocate the receiving antenna.
- Increase the separation between the equipment and receiver.
- Connect the equipment into an outlet on a circuit different from that to which the receiver is connected.
- Consult the dealer or an experienced radio/TV technician for help.

For Canada/pour le Canada

THIS DIGITAL APPARATUS DOES NOT EXCEED THE CLASS B LIMITS FOR RADIO NOISE EMISSIONS FROM DIGITAL APPARATUS AS SET OUT IN THE INTERFERENCE-CAUSING EQUIPMENT STANDARD ENTITLED "DIGITAL APPARATUS" ICES-003 OF THE DEPARTMENT OF COMMUNICATIONS.

CET APPAREIL NUMÉRIQUE RESPECTE LES LIMITES DE BRUITS RADIOÉLECTRIQUES "APPAREILS AUX APPAREILS NUMÉRIQUES DE CLASSE B PRÉSCRITS DANS LA NORME NMB-003 ÉDICTÉE PAR LE MINISTRE DES COMMUNICATIONS.

IMPORTANT FOR LASER PRODUCTS

- PRECAUTIONS**  
 1. CLASS 1 LASER PRODUCT  
 2. DANGER: Invisible laser radiation when open exposure to beam.  
 3. CAUTION: Do not open the top cover. There are no user serviceable parts inside the unit.

IMPORTANT PARA PRODUCTOS LASER

- PRECAUCIONES**  
 1. PRODUCTO LASER CLASE 1  
 2. PELIGRO: En el interior hay radiación láser invisible. Evite el contacto directo con el haz.  
 3. PRECAUCIÓN: No abra la tapa superior. En el interior de la unidad no existen piezas reparables por el usuario. Deje el servicio técnico en manos de personal calificado.

IMPORTANT POUR LES PRODUITS LASER

- PRECAUTIONS**  
 1. PRODUIT LASER CLASSE 1  
 2. DANGER: Radiation laser invisible quand l'appareil est ouvert et que le verrouillage est en panne ou désactivé. Éviter une exposition directe au rayon.  
 3. ATTENTION: N'ouvrez pas le couvercle supérieur. Il n'y a aucune pièce à régler à l'intérieur; laissez à un personnel qualifié le soin de réparer l'appareil.

FEATURES

- Active Hyper-Bass (AHB) Pro circuit for low-frequency sound reproduction
- Active Clear Sound (ACS) circuit for enhanced sound reproduction
- Sound mode control
- One-touch operation (COMPU PLAY)
- 34-key remote control unit operates all CD, cassette deck and tuner functions
- Mix Play/Search and Play/Repeat/Play/Random Play
- Programmed play of up to 20 tracks
- Full logic cassette mechanism
- Auto reverse
- Auto tape select mechanism
- Metal (type IV) and CrO<sub>2</sub> (type II) tape can be played back for superior tone quality
- CrO<sub>2</sub> (type II) tape recording capability
- 2-band digital synthesizer tuner with 45-station (30 FM and 15 AM) preset capability
- Stereo manual tuning
- Auto random function
- Timer on/off with preset volume function
- Sleep timer can be set for up to 120 minutes
- Shoulder strap
- DC IN 12 V jack for car battery

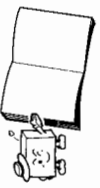
CARACTERÍSTICAS

- Circuito Active Hyper-Bass (AHB) Pro para reproducción de sonidos de baja frecuencia
- Circuito Active Clear Sound (ACS) para reproducción de sonido mejorada
- Control de modo de sonido
- Operación de un solo toque (COMPU PLAY)
- Unidad de control remoto con 34 teclas para operación del CD, platina de cassette y sintonizador
- Reproductor de música aleatoria y reproducción de pistas programadas
- Mecanismo de reproducción de cintas con lógica completa
- Reproductor programado hasta 20 pistas
- Mecanismo de cassette de banda completa
- Inversión automática
- Mecanismo de selección automática de cinta
- Para obtener una calidad de tono superior es posible utilizar cintas de metal (tipo IV) y de CrO<sub>2</sub> (tipo II)
- Sintonizador manual
- Sintonizador digital de 2 bandas con capacidad para sintonización de 45 estaciones (30 de FM y 15 de AM)
- Sintonización buscada manual
- Sintonización programada automática
- Función de temporizador/reloj
- Activación/desactivación del temporizador con función de volumen preajustado
- El temporizador desprogramado puede ser programado hasta un máximo de 120 minutos
- Conexión para cinturón
- Jack DC IN 12 V para la batería del automóvil

CARACTERISTICHIQUES

- Circuit hyper grave actif (AHB) Pro pour une reproduction sonore des fréquences basses
- Circuit ACS (son clair actif) pour une reproduction sonore relevée
- Commande de mode de son
- Fonctionnement à une touche (COMPU PLAY)
- Télécommande à 34 touches qui commande toutes les fonctions CD, platine à cassette et sintonisateur
- Lecteur de musique aléatoire et lecture programmée jusqu'à 20 pistes
- Mécanisme de cassette entièrement logique
- Inversion automatique
- Sélection automatique de bande
- Des bandes métal (type IV) ou CrO<sub>2</sub> (type II) peuvent être lues pour une qualité supérieure du son
- Possibilité d'émargement de bande CrO<sub>2</sub> (type II)
- Synchroniseur à synthétiseur numérique 2 bandes
- Synchroniseur digital de 2 bandes pour stations 30 FM et 15 AM
- Synchronisation par recherche/manuelle
- Synchronisation automatique des présélections
- Fonction minuterie/horloge
- Marche/arrêt par minuterie avec fonction de préajustage de volume
- La minuterie de sommeil peut être réglée pour jusqu'à 120 minutes
- Bandoulière
- Prise d'entrée CC 12 V pour batterie automobile

**SAFETY PRECAUTIONS**



**Prevention of Electric Shocks, Fire Hazards and Damage**

1. Even when the POWER button is set to standby a very small current will flow to save power and for safety reasons. Do not disconnect the power cord from the household AC outlet.
2. Do not handle the power cord with wet hands, grasp and pull the plug, not the power cord.
3. Consult your nearest dealer when damage, disconnection, or contact failure affects the cord.
4. Do not bend the cord severely, or pull or twist it.
5. Do not modify the power cord in any manner.
6. To avoid accidents, do not remove screws to disassemble the unit, and do not touch anything inside the unit.
7. Unplug the power cord when there is a possibility of lightning.
8. If water gets inside the unit, unplug the power cord from the outlet and consult your dealer.
9. Do not block the unit's ventilation holes that allow heat to escape.
10. Do not install the unit in a badly ventilated place.

When this unit is plugged into an AC wall outlet, it consumes a small current to back up the memory of the microprocessor, even when the POWER button is set to standby.

**PRECAUTIONS DE SEGURIDAD**

**Prevention de choques eléctricos, peligro de incendio y daños**

1. Aunque el botón de alimentación POWER, esté colocado en espera, espera, fluye una pequeña corriente eléctrica. Para ahorrar energía y por seguridad, no desconecte el cable de alimentación de la toma corriente de CA.
2. No manipule el cordón eléctrico con las manos mojadas.
3. Cuando lo desenchufe del tomacorriente de la pared, sujételo siempre por el enchufe, nunca por el cordón.
4. En caso de que el cordón sea afectado por daños, desconexión, o físico contacto, consulte a su distribuidor más cercano.
5. No doble en ángulo agudo el cordón, ni jale del mismo ni lo reuerza.
6. No modifique el cordón eléctrico de ninguna manera.
7. Para evitar accidentes, no extraiga los tornillos para desarmar la unidad y no toque nada dentro de la misma.
8. Desenchufe el cordón eléctrico cuando haya posibilidad de caída de rayos.
9. Si se introduce agua dentro de la unidad, desconecte y consulte a su agente de ventas.
10. No bloquee los orificios de escape de la unidad que permiten el escape de calor.

Esta unidad consume una pequeña corriente cuando se la conecta a un tomacorriente de CA, para mantener la memoria del controlador remoto y el temporizador, o para apoyo de la memoria del microprocesador, aun cuando se haya colocado el botón POWER en espera.

**CONSIGNES DE SECURITE**

**Prévention contre l'électrocution, les incendies et les dommages**

1. Même quand la touche POWER est réglée en attente, il circule un très faible courant. Pour économiser l'énergie et pour la sécurité, n'apparez pas le cordon d'alimentation de l'appareil (cable de branchement) au bout de quelques minutes, rebranchez le cordon d'alimentation de la prise secteur.
2. Ne pas saisir le cordon d'alimentation avec les mains humides.
3. En débranchant de la prise secteur, toujours tenir et tirer sur la fiche, pas sur le cordon.
4. Consulter le revendeur le plus proche si une panne, un ennuï ou un mauvais contact se produit avec le cordon.
5. Ne pas plier le cordon sévèrement et ne pas tirer sur le cordon.
6. Ne pas modifier le cordon d'alimentation.
7. Pour éviter des accidents, ne pas retirer les vis pour démonter l'appareil et ne rien toucher dans l'appareil.
8. Débrancher le cordon secteur en cas d'orage.
9. Si, de l'eau pénètre dans l'appareil, débrancher le cordon secteur de la prise et consulter un revendeur.
10. Ne pas toucher les trous de ventilation de l'appareil qui permettent la création de sécheresse.

Lorsque cet appareil est branché à une prise secteur, il consomme un léger courant pour commander la télécommande et la minuterie, ou pour maintenir la mémoire du microprocesseur, même quand la touche POWER est en attente.

**HANDLING PRECAUTIONS**



Do not use this unit in direct sunlight where it would be exposed to high temperatures above 40°C (104°F).

- When abnormal operation occurs. Unplug the AC power cord from the AC outlet, wait 10 minutes, and then reinsert it. Then reseat the batteries after a few minutes, reconnect the AC power cord and switch the power ON.



No utilize esta unidad bajo la luz directa del sol donde podría quedar expuesta a temperaturas superiores a 40 °C (104 °F).

- Cuando ocurre una falla de funcionamiento. Desenchufe el cable de alimentación de la toma corriente de CA y espere 10 minutos. Luego reconecte las pilas después de transcurridos unos pocos minutos; reconecte el cordón de CA y conecte ON la alimentación.

1. Avoid installing in the following places:
  - Where it could be subject to vibrations.
  - Where it is excessively humid, such as in a bathroom.
  - Where it could be magnetized by a magnet or speaker.
2. Pay attention to dust. Be sure to close the CD door so that dust does not collect on the lens.
3. Condensation. In the following cases, condensation may occur in the unit, in which case the unit may not operate correctly.
  - In a room where a heater has just been used.
  - In a place where there is smoke or high humidity.
  - When the unit is moved directly from a cold to a warm room.

In these cases, set the POWER button to standby and wait 1 or 2 hours before use. Volumes produce very little noise compared with analog sources. If the volume level is adjusted by the remote, the speakers may be damaged by the sudden increase of output level. Therefore, lower the volume before operation and adjust it as required during play.

5. Safety mechanism. This unit incorporates a safety interlock mechanism which switches the laser beam on and off, so that when the CD door is open, the laser beam stops automatically.
6. Do not place cassette tapes, etc., near the TV. Since these are magnets in the speakers, do not place tapes or magnetic cards on them as recorded data could be erased.
7. Keep this unit away from your TV. When this unit is used near a TV, the TV picture could be distorted. If this happens, move this unit away from the TV. If this does not correct the situation, avoid using this unit when the TV is turned on.
8. Clean the cabinet. If the cabinet gets dirty, wipe it with a soft, dry cloth. Do not use a brush or thin air as these could damage the surface finish.

**PRECAUCIONES DE MANIPULACION**



Ne pas utiliser cet appareil en plein soleil où il pourrait être exposé à des températures élevées au-dessus de 40°C (104°F).

- Quand un fonctionnement anormal se produit. Débrancher le cordon d'alimentation secteur de la prise de courant et retirer toutes les piles. Puis remettre les piles au bout de quelques minutes, rebrancher le cordon d'alimentation secteur et mettre l'alimentation sur marche.

1. Éviter l'installation dans les endroits suivants:
  - Où il y a des vibrations.
  - Dans des cas, mettre la touche POWER en attente pendant 1 ou 2 heures avant de l'utiliser.
  - Où il pourrait être magnétisé par un aimant ou un haut-parleur.
2. Faire attention à la poussière. Bien s'assurer de fermer le volet CD pour que la poussière ne s'accumule sur la lentille. Ne pas toucher à la lentille.
3. Condensation. Dans les cas suivants, la condensation peut se former à l'intérieur de l'appareil, dans ce cas, l'appareil peut ne pas fonctionner correctement.
  - Dans une pièce où le chauffage vient juste d'être mis.
  - Dans un endroit sujet à la fumée ou à l'humidité.
  - Quand l'appareil est déplacé directement d'une pièce froide vers une pièce chaude.

Dans ces cas, mettre la touche POWER en attente pendant 1 ou 2 heures avant de l'utiliser. Les CD produisent très peu de bruit comparés aux sources analogiques. Si le niveau de volume est réglé par les commandes à distance, les haut-parleurs peuvent être endommagés par une augmentation soudaine du niveau de sortie. Par conséquent, baisser le volume avant le fonctionnement et le régler comme d'habitude pendant la lecture.

5. Mécanisme de sécurité. Cet appareil dispose d'un dispositif de verrouillage de sécurité qui éteint ou coupe le rayon laser, pour que quand le volet CD est ouvert, le rayon laser s'éteigne automatiquement.
6. Ne pas placer de cassette, etc., près des haut-parleurs. Comme il y a des aimants dans les haut-parleurs, ne pas placer de bande enregistrée ou de carte magnétique à proximité, un important matériel enregistré peut être effacé.
7. Nettoyer cet appareil éloigné de votre télévision. Si cet appareil est utilisé près d'un téléviseur, l'image du téléviseur peut être déformée. Si cela arrive, éloigner cet appareil du téléviseur. Si ce n'est pas suffisant, éviter d'utiliser cet appareil quand le téléviseur est en marche.
8. Nettoyage du coffret. Si le coffret devient sale, l'essuyer avec un chiffon doux et sec. Ne pas utiliser de benzène ou de diluant qui pourrait abîmer le fini de la surface.

**PRECAUTIONS DE MANIPULATION**



Do not use this unit in direct sunlight where it would be exposed to high temperatures above 40°C (104°F).

- When abnormal operation occurs. Unplug the AC power cord from the AC outlet, wait 10 minutes, and then reinsert it. Then reseat the batteries after a few minutes, reconnect the AC power cord and switch the power ON.

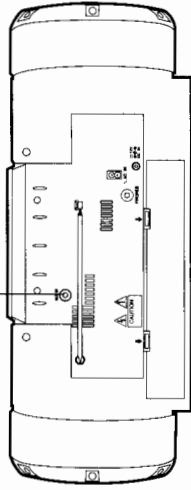
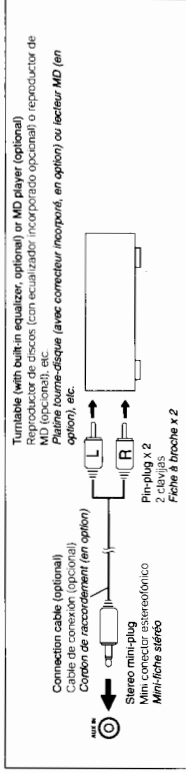
1. Avoid installing in the following places:
  - Where it could be subject to vibrations.
  - Where it is excessively humid, such as in a bathroom.
  - Where it could be magnetized by a magnet or speaker.
2. Pay attention to dust. Be sure to close the CD door so that dust does not collect on the lens.
3. Condensation. In the following cases, condensation may occur in the unit, in which case the unit may not operate correctly.
  - In a room where a heater has just been used.
  - In a place where there is smoke or high humidity.
  - When the unit is moved directly from a cold to a warm room.

In these cases, set the POWER button to standby and wait 1 or 2 hours before use. Volumes produce very little noise compared with analog sources. If the volume level is adjusted by the remote, the speakers may be damaged by the sudden increase of output level. Therefore, lower the volume before operation and adjust it as required during play.

5. Safety mechanism. This unit incorporates a safety interlock mechanism which switches the laser beam on and off, so that when the CD door is open, the laser beam stops automatically.
6. Do not place cassette tapes, etc., near the TV. Since these are magnets in the speakers, do not place tapes or magnetic cards on them as recorded data could be erased.
7. Keep this unit away from your TV. When this unit is used near a TV, the TV picture could be distorted. If this happens, move this unit away from the TV. If this does not correct the situation, avoid using this unit when the TV is turned on.
8. Clean the cabinet. If the cabinet gets dirty, wipe it with a soft, dry cloth. Do not use a brush or thin air as these could damage the surface finish.

**CONNECTIONS**

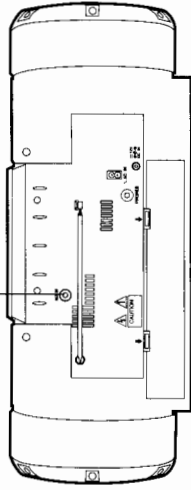
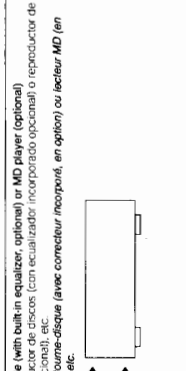
- Do not switch the power on until all connections are completed.
  - No conecte la alimentación hasta haber completado todas las conexiones.
- Connection of external audio units**
- Connection with a turntable or MD player, etc.
  - Conexión con un giradisco o reproductor de MD, etc.



- Note:**
- Do not install the unit near a TV, otherwise the picture color will become distorted. If this occurs, move the TV away from the unit.
  - No instale la unidad cerca de un TV, de lo contrario el color de la imagen del mismo puede distorsionarse. Si ocurre esto, aleje el TV de la unidad.
- Remark:**
- Do not install the unit near a TV, otherwise the picture color will become distorted. If this occurs, move the TV away from the unit.
  - No instale el aparato cerca de un televisor, sino la couleur de l'image TV deviendra déformée. Si ceci se produit, éloigner le téléviseur de l'appareil, puis attendre 15 à 30 minutes. Le circuit de dégaussification automatique du téléviseur corrigera l'image.

**CONEXIONES**

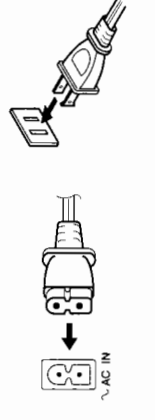
- No pas meitrea l'appareil sous tension tant que tous les raccordements ne sont pas terminés.
- Raccordement d'appareils audio externes**
- Raccordement avec une platine tourne-disque ou un lecteur MD, etc.



- Note:**
- Do not install the unit near a TV, otherwise the picture color will become distorted. If this occurs, move the TV away from the unit.
  - No instale el aparato cerca de un televisor, sino la couleur de l'image TV deviendra déformée. Si ceci se produit, éloigner le téléviseur de l'appareil, puis attendre 15 à 30 minutes. Le circuit de dégaussification automatique du téléviseur corrigera l'image.
- Remark:**
- Do not install the unit near a TV, otherwise the picture color will become distorted. If this occurs, move the TV away from the unit.
  - No instale el aparato cerca de un televisor, sino la couleur de l'image TV deviendra déformée. Si ceci se produit, éloigner le téléviseur de l'appareil, puis attendre 15 à 30 minutes. Le circuit de dégaussification automatique du téléviseur corrigera l'image.

**POWER SUPPLY**

- A. Operation on household AC**
- Connect the AC power cord after all other connections have been made.



- A. Funcionamiento sur le secteur**
- Branchez le cordon d'alimentation CA une fois que tous les autres raccordements ont été effectués.

- CAUTIONS:**
1. ONLY USE WITH JVC POWER CORD PROVIDED WITH THIS UNIT TO AVOID FUNCTION OR DAMAGE TO THE UNIT.
  2. BE SURE TO UNPLUG THE POWER CORD FROM THE OUTLET WHEN GOING OUT OR WHEN THE UNIT IS NOT IN USE FOR AN EXTENDED PERIOD OF TIME.
- PRECAUCIONES:**
1. UTILISER SEULEMENT AVEC LE CORDON D'ALIMENTATION JVC FOURNI AVEC CET APPAREIL POUR ÉVITER UN MAUVAIS FONCTIONNEMENT OU D'ENDOMMAGER L'APPAREIL.
  2. BIEN DÉBRANCHER LE CORDON D'ALIMENTATION DE LA PRISE DE COURANT QUAND VOUS PARTEZ OU QUAND L'APPAREIL N'EST PAS EN UTILISATION PENDANT UNE LONGUE PÉRIODE.

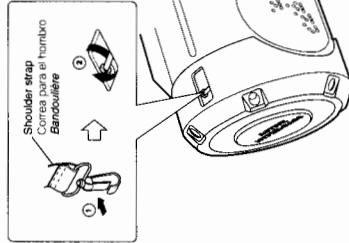
- 9. When listening with headphones**
- Do not listen at high volumes as this could damage your hearing.
  - For safety, do not drive while listening to this unit.
- 10. Pay attention to the following**
- Do not place the unit on an inclination.
  - For safety, retract the antenna so that it doesn't get hooked or broken during transport.

- 9. Cuando escuche con auriculares**
- No escuche con el volumen muy alto para no dañar su oído.
  - Por seguridad no conduzca mientras escucha esta unidad.
- 10. Preste atención a lo siguiente**
- No coloque la unidad en un lugar inclinado.
  - Para seguridad, retraiga la antena de tal manera que no se enganche o rompa durante el transporte.

- 9. Lors de l'écoute avec un casque d'écoute**
- Ne pas écouter à volume trop élevé car cela pourrait nuire à votre audition.
  - Pour des raisons de sécurité, ne pas conduire en écoutant cet appareil.
- 10. Faire attention aux choses suivantes**
- Ne pas placer l'appareil sur un plan incliné.
  - Pour des raisons de sécurité lors du transport, rétracter l'antenne pour qu'elle ne soit pas recroûlée ou cassée.

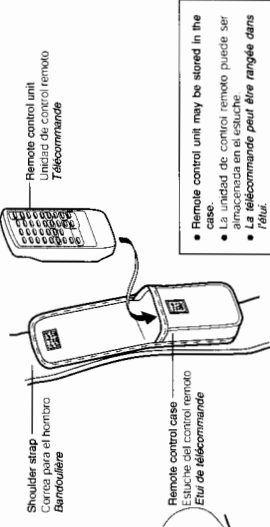
**SHOULDER STRAP ATTACHMENT/ DETACHMENT**

- **ATTACHMENT**  
As shown in the illustration below, press in the metal fitting at ① and hook over ②.
- **DETACHMENT**  
Press in the metal fitting at ① and unhook.



**COLOCACION/EXTRACCION DE LA CORREA PARA EL HOMBRO**

- **COLOCACION**  
Presione el accesorio de metal en ① y enganche en ② como se muestra en la ilustración de abajo.
- **EXTRACCION**  
Presione el accesorio de metal en ① y desenganche.



- Remote control unit may be stored in the case.
- La unidad de control remoto puede ser almacenada en el estuche.
- La télécommande peut être rangée dans l'étui.

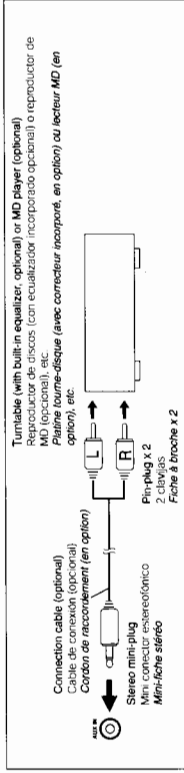
**FIXATION/RETRAIT DE LA BANDOULIÈRE**

- **FIXATION**  
Appuyer sur la partie métallique ① et crocher ② comme montré dans l'illustration ci-dessous.
- **RETRAIT**  
Appuyer sur la partie métallique ① et décrocher.



**CONNECTIONS**

- Do not switch the power on until all connections are completed.
  - No conecte la alimentación hasta haber completado todas las conexiones.
- Connection of external audio units**
- Connection with a turntable or MD player, etc.
  - Conexión con un giradisco o reproductor de MD, etc.



**CONEXIONES**

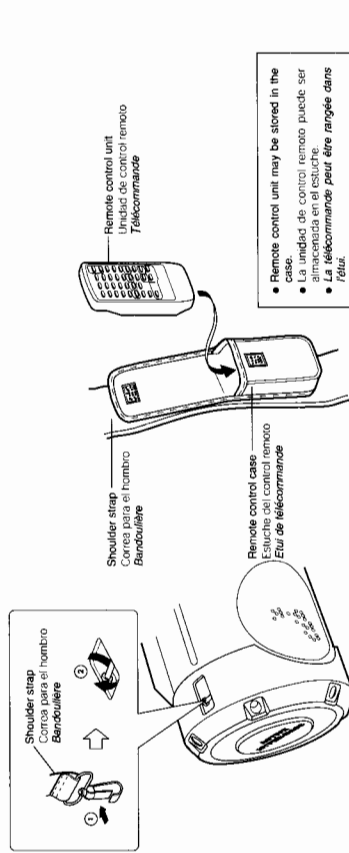
- Ne pas mettre l'appareil sous tension tant que tous les raccordements ne sont pas terminés.
- Raccordement d'appareils audio externes**
- Raccordement avec une platine tourne-disque ou un lecteur MD, etc.

**RACCORDEMENTS**

- Do not install the unit near a TV, otherwise the TV picture color will become distorted. If this occurs, move the TV away from the unit.
  - No instale el aparato cerca de un TV, de lo contrario el color de la imagen del mismo puede distorsionarse. Si ocurre esto, aleje el televisor del aparato.
- Note:**
- Do not install the unit near a TV, otherwise the TV picture color will become distorted. If this occurs, move the TV away from the unit.
  - Ne pas installer l'appareil près d'un téléviseur, sinon la couleur de l'image TV deviendra distordue. Si cela se produit, éloignez le téléviseur de l'appareil.
- Remark:**
- Do not install the unit near a TV, otherwise the TV picture color will become distorted. If this occurs, move the TV away from the unit.
  - Ne pas installer l'appareil près d'un téléviseur, sinon la couleur de l'image TV deviendra distordue. Si cela se produit, éloignez le téléviseur de l'appareil.

**SHOULDER STRAP ATTACHMENT/ DETACHMENT**

- ATTACHMENT  
 As shown in the illustration below, press in the metal fitting at ① and hook over ②.
- DETACHMENT  
 Press in the metal fitting at ① and unhook.



**COLOCACION/EXTRACCION DE LA CORREA PARA EL HOMBRO**

- COLOCACION  
 Presione el accesorio de metal en ① y enganche en ② como se muestra en la ilustración de abajo.
- EXTRACCION  
 Presione el accesorio de metal en ① y desenganche.

**FIXACION/RETRAIT DE LA BANDOULIERE**

- FIXATION  
 Appuyez sur la partie métallique ① et crocher ② comme montré dans l'illustration ci-dessous.
- RETRAIT  
 Appuyez sur la partie métallique ① et décrocher.

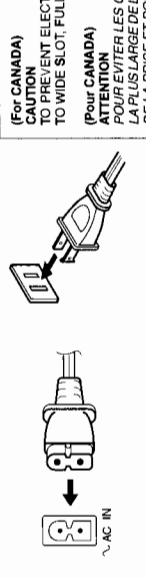
- When listening with headphones  
 Do not listen at high volumes as this could damage your hearing.  
 For safety, do not drive while listening to this unit.
- Prey attention to the following  
 Do not place the unit on an incline.  
 Do not apply shock to the unit.  
 For safety, retract the antenna so that it doesn't get hooked or broken during transport.

- Cuando escuche con auriculares  
 No escuche con el volumen muy alto porque podrían dañarse sus oídos.  
 Por seguridad no conduzca mientras escucha con auriculares.
- Prey atención a lo siguiente  
 No coloque la unidad en un lugar inclinado.  
 No la golpee.  
 Para seguridad, retraiga la antena de tal manera que no se enganche o rompa durante el transporte.

- Lors de l'écoute avec un casque d'écoute  
 Ne pas écouter à volume trop élevé car cela risque de provoquer des troubles de l'oreille.  
 Pour sécurité, ne pas conduire avec un casque d'écoute sur cet appareil.
- Faire attention aux choses suivantes  
 Ne pas placer l'appareil sur un plan incliné.  
 Ne pas faire subir des chocs à l'appareil.  
 Pour des raisons de sécurité lors du transport, rétracter l'antenne pour qu'elle ne soit pas recrochée ou cassée.

**POWER SUPPLY**

- Operation on household AC  
 Connect the AC power cord after all other connections have been made.



**ALIMENTACION**

- Operación con tomacorriente de CA  
 Conecte el cordón de CA después de haber terminado todas las conexiones.

- The provided AC power cord for this unit has certain one-way direction connections to prevent electric shock. Refer to the illustration for correct connection.

- El cordón de CA suministrado con esta unidad tiene ciertas conexiones en un solo sentido para prevenir electrocuciones. Referirse a la ilustración para su conexión correcta.

**CAUTIONS:**

- ONLY USE WITH JVC POWER CORD PROVIDED WITH THIS UNIT TO AVOID MALFUNCTION OR DAMAGE TO THE UNIT.
- BE SURE TO UNPLUG THE POWER CORD FROM THE OUTLET WHEN GOING OUT OR WHEN THE UNIT IS NOT IN USE FOR AN EXTENDED PERIOD OF TIME.

- UTILISER SEULEMENT AVEC LE CORDON D'ALIMENTATION JVC FOURNI AVEC CET APPAREIL POUR EVITER UN MAUVAIS FONCTIONNEMENT OU D'ENDOMMAGER L'APPAREIL.
- BIEN DEGRANCHER LE CORDON DE ALIMENTATION QUAND VOUS QUAND VOUS N'UTILISEZ PAS L'APPAREIL PENDANT UNE LONGUE PERIODE.

**PRECAUTIONS:**

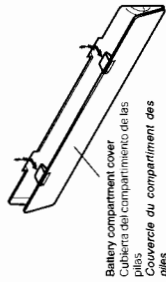
- UTILISER SEULEMENT AVEC LE CORDON D'ALIMENTATION JVC FOURNI AVEC CET APPAREIL POUR EVITER UN MAUVAIS FONCTIONNEMENT OU D'ENDOMMAGER L'APPAREIL.
- BIEN DEGRANCHER LE CORDON DE ALIMENTATION QUAND VOUS N'UTILISEZ PAS L'APPAREIL PENDANT UNE LONGUE PERIODE.

**B. Batteries for memory back-up system**

It is recommended that batteries are loaded to prevent the preset tuning memory and timer, etc. from being erased when there is a power failure, or when the AC power cord is disconnected.

- **Loading batteries**  
Load three "R6/AA (15F)" size batteries (optional) into the battery compartment.

- Open the battery cover by pulling it toward you while pressing the sections marked with arrows.
- Abra la cubierta de las pilas tirando de la misma mientras presiona las secciones marcadas con flechas.
- Ouvrir le couvercle du compartiment des piles en le tirant vers vous tout en appuyant sur les sections marquées par des flèches.



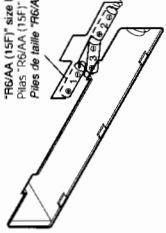
Battery compartment cover  
Cubierta del compartimento de las pilas  
Couvercle du compartiment des piles

**B. Pilas para el sistema de apoyo de memoria**

Se recomienda instalar las pilas para evitar que se borre la memoria de estaciones presintonizadas, el temporizador, etc., cuando hay un corte de energía o cuando se desconecta el cordón de CA.

- **Colocación de las pilas**  
Coloque tres pilas tamaño "R6/AA (15F)" (opcionales), dentro del compartimiento de las pilas.

- Para extraer las pilas, extraiga la pila número 3 primero.
- En retirando las pilas, retire el cable número 3.



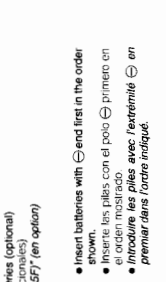
"R6/AA (15F)" size batteries (optional)  
Pilas "R6/AA (15F)" (opcionales)  
Piles de taille "R6/AA (15F)" (en option)

**B. Piles pour le système de soutien mémoire**

Il est recommandé de mettre en place des piles pour éviter l'effacement de la mémoire des stations présélectionnées et de la minuterie, etc. quand il y a une panne de courant, ou quand le cordon d'alimentation secteur est débranché.

- **Mise en place des piles**  
Mettez en place trois piles de taille "R6/AA (15F)" (en option) dans le compartiment des piles.

- Pour extraire les piles, retirez d'abord le câble numéro 3.
- En retirant les piles, retirez le câble numéro 3.



"R6/AA (15F)" size batteries (optional)  
Pilas "R6/AA (15F)" (opcionales)  
Piles de taille "R6/AA (15F)" (en option)

**Battery replacement**

When the batteries are nearly exhausted, the following symptoms may appear. In this case, replace the batteries with fresh ones. (Do not use fresh ones and old ones together).

- **For better battery usage**  
When the AC power cord is unplugged, the stored memory (timer/clock setting/preset tuning) is erased.
- It is recommended that the AC power cord be used when recording important material or listening to a CD.
- **For better battery usage**  
When the power cord of the unit causes the battery power to be consumed quicker than nonrecording operation.
- Operation of the unit in a cold place causes the battery power to be consumed more quickly than in a warm place.
- **For power supply**  
The use of household AC is recommended when continuous operation of the unit is required over a longer period of time.

**Reemplazo de las pilas**

Cuando las pilas estén casi agotadas, aparecerán los siguientes síntomas. En este caso reemplácelas las pilas por nuevas. (No emplee pilas nuevas y viejas conjuntamente).

- **Para una mejor utilización de las pilas**  
Cuando se desconecta el cable de CA, la memoria almacenada (ajustes del temporizador/reloj/presintonización) se borra.
- Se recomienda emplear el cable de alimentación de CA cuando graba material importante o escucha un CD.
- **Para una mejor utilización de las pilas**  
Este aparato se utiliza continuamente, las pilas se agotarán más rápido que si se utiliza de vez en cuando.
- Si se utiliza en un lugar frío, las pilas se consumirán más rápidamente que si se utiliza en un lugar cálido.
- **Para el suministro de energía**  
Se recomienda utilizar CA del hogar, cuando desee operar la unidad continuamente durante un largo período.

**Remplazamiento des piles**

Lorsque les piles sont pratiquement usées, les symptômes suivants peuvent apparaître. Dans ce cas, remplacez les piles par des piles neuves et n'utilisez pas ensemble des piles neuves et des piles usées).

- **Pour l'appareil principal**  
Un mauvais alignement se produit pendant la lecture CD et le son est distordu, par moments pendant la lecture de la cassette.
- **Pour le soutien mémoire**  
Si le cordon d'alimentation secteur est débranché, la mémoire (ajustes de la minuterie/clapage de l'horloge/stations présélectionnées) est effacée.
- **Pour une meilleure utilisation des piles**  
Si l'appareil est utilisé en continu sans arrêt, les piles s'usent plus rapidement que si l'appareil est utilisé en alternatif de temps en temps.
- Si l'appareil est utilisé dans un endroit froid, les piles s'usent plus rapidement que si l'appareil est utilisé dans un endroit chaud.
- **Pour l'alimentation**  
L'utilisation du secteur CA est recommandée quand le fonctionnement continu de l'appareil est nécessaire pendant une longue durée.

**NOTES:**

- The three "R6/AA (15F)" size batteries supply power to the memory, which prevents the contents of the memory being lost when there is a power failure, or the power cord is disconnected. Battery power is not consumed when the power cord is connected to the household AC wall outlet. (When the memory back-up function is activated, the time is not displayed to reduce power consumption.)
- When the power cord is not connected or the "R200D (13F)" size batteries are not loaded, the unit should be used with new ones approximately every 12 months. (Connect the AC power cord when replacing batteries in order to back-up the memory.)

**Notas:**

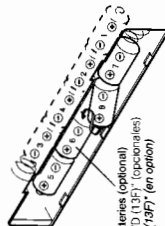
- Las tres pilas tamaño "R6/AA (15F)" suministran energía a la memoria, lo que evita que se pierda el contenido de la memoria en caso de un corte eléctrico, o cuando se desconecta el cordón de alimentación. Las pilas no se consumen cuando se desconecta el cordón de alimentación del tomacorriente de CA. (Cuando se activa la función de apoyo de memoria, la hora no es indicada para reducir el consumo de energía.)
- Cuando el cordón de CA no está conectado, o cuando no se han colocado las pilas tamaño "R200D (13F)", es necesario reemplazar las pilas por nuevas cada 12 meses aproximadamente. (Al reemplazar las pilas, conecte el cordón de alimentación del adaptador de CA para alimentar la memoria.)

**Remarques:**

- Les trois piles de taille "R6/AA (15F)" fournissent l'alimentation au système de soutien mémoire qui évite de perdre le contenu de la mémoire en cas de panne de courant, ou si le cordon d'alimentation de l'adaptateur secteur est débranché.
- L'énergie des piles n'est pas consommée quand le cordon d'alimentation de l'adaptateur secteur est branché sur une prise secteur (Lorsque la fonction de soutien mémoire est activée, l'heure n'est pas affichée pour réduire le consommation d'énergie.)
- Si le cordon d'alimentation de l'adaptateur secteur n'est pas branché et si des piles de taille "R200D (13F)" ne sont pas en place, les piles doivent être remplacées par des nouvelles environ tous les 12 mois.

**C. Operation on batteries**

- **Loading batteries**  
1. Open the battery cover by pulling it toward you while pressing the sections marked by the arrows.
- **Insert 8 "R200D (13F)" size batteries (optional) as shown in the diagram.**
- Be careful to insert the batteries with the ⊕ and ⊖ terminals positioned correctly.
- Replace the cover.



"R200D (13F)" size batteries (optional)  
Pilas de tamaño "R200D (13F)" (opcionales)  
Piles de taille "R200D (13F)" (en option)

**C. Operación con pilas**

- **Colocación de las pilas**  
1. Abra la tapa del compartimento de las pilas jalándola hacia usted mientras presiona las secciones marcadas con las flechas.
- **Inserte 8 pilas "R200D (13F)" (opcionales) como se muestra en el diagrama.**
- Tome precauciones para insertar las pilas con los terminales ⊕ y ⊖ correctamente.
- Coloque la tapa.

**C. Fonctionnement sur piles**

- **Mise en place des piles**  
1. Ouvrir le compartiment des piles en tirant le couvercle vers vous tout en appuyant sur les endroits marqués de flèches.
- **Introduire 8 piles de taille "R200D (13F)" (en option) comme montré sur le schéma.**
- Faire attention de bien introduire les piles avec les bornes ⊕ et ⊖ positionnées correctement.
- Remettre en place le couvercle.

**CAUTIONS:**

- **WHEN NOT USING THE UNIT FOR A LONG TIME (MORE THAN TWO WEEKS) OR DURING A LONG PERIOD (MORE THAN TWO WEEKS), ALWAYS UNPLUG THE POWER CORD FROM THE WALL OUTLET.**
- **REMOVE THE BATTERIES TO AVOID A MALFUNCTION OR DAMAGE TO THE UNIT.**
- **WHEN THE JVC POWER CORD PROVIDED WITH THIS UNIT IS CONNECTED, THE POWER IS AUTOMATICALLY SWITCHED FROM THE BATTERIES TO THE WALL OUTLET. DO NOT REMOVE THE BATTERIES WHEN THE BATTERIES ARE LOADED, HOWEVER, REMOVE THE BATTERIES WHEN USING THE POWER CORD.**

**PRECAUTIONS:**

- **SI NO VA A UTILIZAR LA UNIDAD DURANTE UN LARGO TIEMPO (MAS DE DOS SEMANAS), O CUANDO UTILICE CA DEL HOGAR, EXTRAIGA LAS PILAS PARA EVITAR FALLAS DE FUNCIONAMIENTO O DAÑOS A LA UNIDAD.**
- **CUANDO SE CONECTA EL CORDON DE ALIMENTACION DE JVC DE ESTA UNIDAD, LA ALIMENTACION COMUNTA AUTOMATICAMENTE DE LAS PILAS A LA RED DOMESTICA. NO REMUEVA LAS PILAS CUANDO LAS PILAS ESTAN CARGADAS, SIN EMBARGO RECOMENDAMOS QUIZ EXTRAIGAS LAS PILAS CUANDO UTILIZA EL CORDON DE ALIMENTACION.**

**PRECAUTIONS:**

- **SI L'APPAREIL N'EST PAS UTILISE PENDANT UNE LONGUE PERIODE (PLUS DE DEUX SEMAINES) OU S'IL EST TOUJOURS UTILISE SUR LE SECTEUR, RETIREZ LES PILES POUR EVITER UN MAUVAIS FONCTIONNEMENT OU DES DOMMAGES A L'APPAREIL.**
- **LORSQUE LE CORDON D'ALIMENTATION JVC FOURNI AVEC CET APPAREIL EST BRANCHÉ SUR LE SECTEUR, L'ALIMENTATION COMMUTE AUTOMATICAMENTE DES PILES SUR LE SECTEUR. NE RETIREZ PAS LES PILES SUR LE SECTEUR CAR MÊME QUAND LES PILES SONT EN PLACE, PAR CONSÉQUENT, RETIREZ LES PILES EN UTILISANT LE CORDON D'ALIMENTATION.**

**PRECAUTIONS EN UTILISANT DES PILES**

- **Si las pilas no son usadas correctamente, el punt y avoir une fuite de produits chimiques des piles ou elles peuvent exploser. Les précautions suivantes doivent être prises:**
- Vérifier que les bornes positive ⊕ ou négative ⊖ des piles sont positionnées correctement et les introduire comme montré sur le schéma.
- Ne pas mélanger ensemble des piles neuves et des piles usées, ni mélanger des piles de tailles différentes.
- Ne pas essayer de recharger des piles non rechargeables.
- Retirer les piles lorsque l'appareil n'est pas utilisé pendant une longue période.
- Si des produits chimiques des piles viennent en contact avec votre peau, si enlever immédiatement avec de l'eau. Si des produits chimiques coulent dans l'appareil, nettoyer complètement l'appareil.

**PRECAUTIONS PARA EL USO DE LAS PILES**

- **Si las pilas son incorrectamente usadas, ello puede resultar en fugas de productos químicos de las mismas o pueden explotar. Es necesario tomar las siguientes precauciones:**
- Verifique que los terminales ⊕ y ⊖ de las pilas estén correctamente colocados de acuerdo al diagrama.
- No mezcle pilas nuevas y viejas, ni pilas de diferentes tipos de pilas.
- No intente recargar las pilas que sean no recargables.
- Extraiga las pilas cuando no vaya a utilizar la unidad durante un largo periodo.
- Si los productos químicos provenientes de las pilas entran en contacto con su piel, lávese inmediatamente con agua. Si los productos químicos caen sobre esta unidad, límpiela completamente.

**CAUTIONS WHEN USING BATTERIES**

- **When batteries are used incorrectly, it may result in the leakage of chemicals from the batteries or they may explode. The following care should be taken:**
- Check that the terminals ⊕ and ⊖ are positioned correctly and load them as shown in the diagram.
- Do not mix new and old batteries together, or mix different types of batteries.
- Do not try to recharge non-rechargeable batteries.
- Remove the batteries when the unit is not to be used for an extended period of time.
- If chemicals from the batteries come in contact with your skin, wash them off immediately with water. If chemicals leak onto the unit, clean the unit completely.

**NOMES DES PIÈCES ET LEURS FONCTIONS**

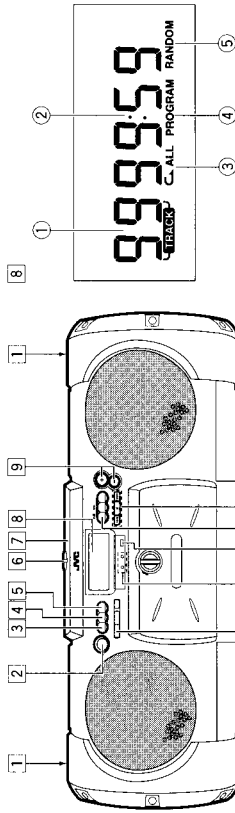
**NOMBRES DE LAS PARTES Y SUS FUNCIONES**

**NAMES OF PARTS AND THEIR FUNCTIONS**

**Section lecteur CD/généralité**

**Sección del reproductor de CD/ Generalidades**

**CD player/General section**



- 1 Crochet pour la bandoulière
- 2 Touche d'alimentation (POWER)
- 3 Touche AHB (hyper grave actif) PRO
- 4 Touche ACS (son clair actif)
- 5 Touche de son (SOUND)
- 6 Bouton d'ouverture (OPEN)
- 7 Poignée de la porte
- 8 Poignée de la porte
- 9 Poignée de la porte
- 10 Poignée de la porte
- 11 Poignée de la porte
- 12 Poignée de la porte
- 13 Poignée de la porte
- 14 Poignée de la porte

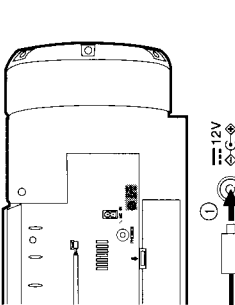
- 1 Shoulder strap hook
- 2 POWER button
- 3 AHB (Active Hyper Bass) PRO (Hyper graves actives) Professional
- 4 ACS (Active Clear Sound) (Sonido claro activo)
- 5 OPEN button
- 6 OPEN knob
- 7 Turn the OPEN knob to the left to open the CD door.
- 8 To close the CD door, press it down until it clicks shut.
- 9 CD door
- 10 Play/pause button
- 11 Repeat/Track number display
- 12 Play line display
- 13 Repeat play indicator (C, C, ALL)
- 14 Program mode indicator (PROGRAM)
- 15 Program play indicator (RANDOM)
- 16 Volume control buttons (+/-)
- 17 AUX button
- 18 AHB PRO indicator
- 19 ACS indicator
- 20 Random indicator
- 21 Remote control signals are received here.
- 22 CD ►►► button
- 23 Press to play/pause.
- 24 Press to turn the power on.
- 25 MULTI CONTROL buttons
- 26 Press to locate the beginning of a track during skip play.
- 27 Press to fast-forward/rewind during skip play.
- 28 Press to stop.
- 29 Press to cancel program play.

- 1 Poignée de la correa para el hombro
- 2 Botón POWER
- 3 Botón AHB (Active Hyper Bass) PRO (Hyper graves actives) Professional
- 4 Botón ACS (Active Clear Sound) (Sonido claro activo)
- 5 Botón SOUND
- 6 Perilla OPEN
- 7 Gire la perilla OPEN hacia la izquierda para abrir la puerta del CD.
- 8 Para cerrar la puerta del CD, presione la perilla hacia abajo hasta que haga un clic que indica que está cerrada.
- 9 Puerta del CD
- 10 Indicador de número de función/pista
- 11 Indicador de tiempo de reproducción
- 12 Indicador de repetición de reproducción (C, C, ALL)
- 13 Indicador de modo de programa (RANDOM)
- 14 Indicador de reproducción aleatoria (RANDOM)
- 15 Señales de control de reproducción de ajuste de nivel
- 16 Botones de control de volumen (+/-)
- 17 Botón AUX
- 18 Indicador AHB PRO
- 19 Indicador ACS
- 20 Las señales del control remoto son recibidas aquí.
- 21 Botón CD ►►►
- 22 Presione para seleccionar el modo CD. Presione para reproducir/pausa.
- 23 Presione para activar la alimentación. (Cuando el modo es ajustado en CD)
- 24 Presione para localizar el principio de una pista durante la reproducción por salto.
- 25 Presione para avanzar rápidamente durante la reproducción por salto.
- 26 Presione para parar.
- 27 Presione para cancelar la reproducción programada.

**D. Fonctionnement sur une batterie automobile (CC 12 V)**

**D. Funcionamiento con batería de automóvil (12 V de CC)**

**D. Operation on car battery (DC 12 V)**



- Premièrement, raccorder l'adaptateur automobile à la prise DC IN 12 V, pas à la prise de l'allume-cigare, car faire un court-circuit d'une prise sur la voiture pourrait faire griller le fusible. De plus, bien faire attention de ne pas faire de court-circuit entre les fiches.

- Primero conecte el adaptador al jack DC IN 12 V, no al enchufe de cigarrillos de la toma de corriente de la carrocería, porque si pone en cortocircuito una clavija del automóvil, puede quemarse un fusible. Además, tenga cuidado de no producir un cortocircuito entre las clavijas.

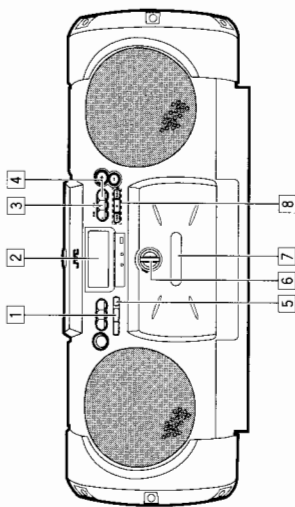
- First connect the car adapter to the DC IN 12 V jack, not the cigarette lighter socket, because wiring of a plug on the car may cause the fuse to burn out. In addition, be sure not to make a short-circuit between the plugs.

- PRÉCAUTIONS POUR UTILISER CET APPAREIL DANS UNE VOITURE**
- En utilisant une batterie automobile, bien utiliser l'adaptateur automobile, s'opposer à la prise de l'allume-cigare. Pour éviter des problèmes ou endommagement résultant d'une polarité inversée.
  - Pour des raisons de sécurité, arrêter la voiture avant d'effectuer des opérations.
  - Bien faire tourner le moteur quand vous utilisez l'adaptateur automobile, sinon la batterie de la voiture sera déchargée.
  - Pendant le transport, stabiliser l'appareil dans une boîte, etc.
  - Cet appareil n'est pas imperméable ni protégé de la pluie. Pour éviter des mauvais fonctionnements, ne pas laisser l'appareil dans une voiture pendant de longues périodes.
  - Débrancher le cordon d'alimentation de la prise AC IN en utilisant l'appareil avec un adaptateur automobile.

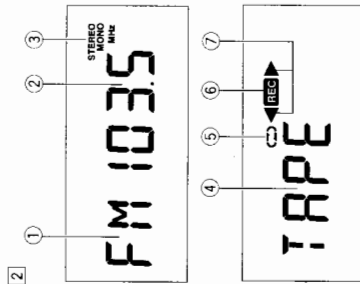
- PRECAUCIONES PARA USAR ESTA UNIDAD EN UN AUTOMÓVIL**
- Cuando utilice una batería de automóvil, bien emplee el adaptador especificado (JVC modelo CA-R120) para evitar fallos o daños por diferentes tipos de polaridad.
  - Seguridad: detener el automóvil antes de efectuar estas operaciones.
  - Asegúrese de poner en marcha el motor cuando emplee el adaptador del automóvil de lo contrario se agotará la batería del mismo.
  - Durante el transporte estabilice la unidad en una caja, etc.
  - Este unidad no es impermeable ni a prueba de polvo. Para evitar fallos, no deje la unidad en un automóvil por largo tiempo.
  - AC IN cuando emplee la unidad con un adaptador para automóvil.

- CAUTIONS WHEN USING THIS UNIT IN A CAR**
- When using a car battery, be sure to use the specified car adapter (JVC model CA-R120) to prevent mishaps or damage resulting from different polarity design.
  - For safety, stop the car before performing operations.
  - Be sure to start the engine when you use the car adapter, otherwise the car battery will be exhausted.
  - During transport, stabilize the unit in a box, etc.
  - This unit is not waterproof or dustproof. To prevent malfunctions, do not leave the unit in a car for long periods.
  - Do not use the power cord from the AC IN jack when using the unit with a car adapter.

Tuner/Deck section



Sección sintonizador/platina



Section sintoniseur/platine

**PRESET TUNING/BEAT CUT button**

- 1 Display window
  - 2 Band display
  - 3 Radio frequency display
  - 3 Mode display during FM broadcast (STEREOMONO)
  - 4 Tape display
  - 5 Reverse mode indicator (↔/↔)
  - 6 Record indicator (REC)
  - 7 Tap direction indicators (↔/↔)
  - 8 TAPE button
- Press to select the tape mode.  
Press to select the tape direction.  
Press to turn the power on.
- TUNER BAND button**  
Press to select the tuner mode.  
Press to select the band.  
Press to turn the power on.
- TUNER OPEN button**  
Press to select the tuner mode.  
Press to turn the power on.
- TUNER REC button**  
Press to select the tuner mode.  
Press to turn the power on.
- Turn the OPEN knob to the left to open the cassette holder.  
To close the cassette holder, press it until it clicks shut.

**Cassette holder**

- 7 MULTI CONTROL buttons
  - 8 STOP : Press to stop the tape.
  - 8 REW : Press to fast-forward the tape.
  - 8 FF : Press to fast-forward the tape.
  - 8 STOP : Press to stop the tape.
  - 8 REW : Press to fast-forward the tape.
  - 8 FF : Press to fast-forward the tape.
- (When the mode is set to TUNER)  
↔/↔ : Auto tuning/Manual tuning

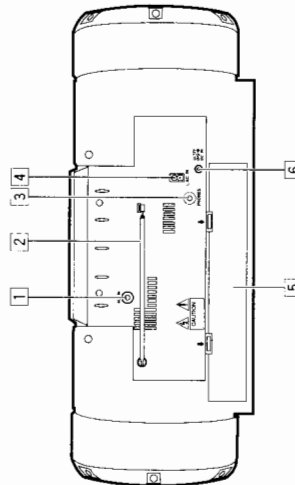
**Botón PRESET TUNING/BEAT CUT**

- 1 Ventanilla de indicación
  - 2 Indicador de banda
  - 3 Indicación de frecuencia de radio
  - 3 Modo de indicación durante una radiodifusión FM (STEREOMONO)
  - 4 Indicación de cinta
  - 5 Indicador de modo de inversión (↔/↔)
  - 6 Indicador de grabación (REC)
  - 7 Indicadores de sentido de la cinta (↔/↔)
  - 8 Botón TAPE
- Presione para seleccionar el modo de cinta.  
Presione para seleccionar el sentido de la cinta.
- Presione activar la alimentación.  
Presione para seleccionar el modo de cinta.  
Presione para seleccionar la banda.  
Presione para activar la alimentación.
- Botón ONE TOUCH REC**  
Gire la perilla OPEN hacia la izquierda para abrir el portacassetes.  
Para cerrar el portacassetes, presione hasta que haga clic.
- Botones MULTI CONTROL**  
Cuando el modo está ajustado en TAPE:  
↔/↔ : Presione para rebobinar la cinta.  
↔/↔ : Presione para avanzar rápidamente la cinta.  
(Cuando el modo está ajustado en TUNER)  
↔/↔ : Sintonización automática/manual

**Perilla OPEN**

- 7 Botones MULTI CONTROL
  - 8 STOP : Presione para parar la cinta rápidamente la cinta.
  - 8 REW : Presione para rebobinar la cinta.
  - 8 FF : Presione para avanzar rápidamente la cinta.
  - 8 STOP : Presione para parar la cinta rápidamente la cinta.
  - 8 REW : Presione para rebobinar la cinta.
  - 8 FF : Presione para avanzar rápidamente la cinta.
- (Cuando el modo está ajustado en TUNER)  
↔/↔ : Sintonización automática/manual

Rear panel



Panel trasero

Panneau arrière

- 1 AUX IN (AUX input) jack
- 2 Telescopic antenna
- 3 Headphone jack (PHONES)
- 4 Jack AC IN (entrada AC)
- 5 Jack DC IN (entrada DC)
- 6 DC IN 12 V jack (12 V)

- 1 Jack AUX IN (entrada AUX)
- 2 Antena telescópica
- 3 Jack del auricular (PHONES)
- 4 Jack AC IN (entrada AC)
- 5 Jack DC IN (entrada DC)
- 6 Jack DC IN 12 V (12 V)

- 1 Prise d'entrée auxiliaire (AUX IN)
- 2 Antenne télescopique
- 3 Prise de casque (PHONES)
- 4 Prise d'entrée secteur (AC IN)
- 5 Prise d'entrée CC (DC IN)
- 6 Prise d'entrée CC 12 V (DC IN)

**REMOTE CONTROL UNIT**

**Preparation before use**

- Installing batteries in the remote control unit
- 1. Remove the battery cover from the back of the remote control unit.
- 2. Insert two R6/AA (15F) size batteries. ● Insert the batteries with the terminals (+) and (-) matching the indication inside the battery compartment.
- 3. Replace the cover.

Batteries are not provided with this unit.

**UNIDAD DE CONTROL REMOTO**

**Preparativos antes usarla**

- Instalación de las pilas en la unidad de control remoto
- 1. Extraiga la tapa de las pilas de la parte trasera de la unidad de control remoto.
- 2. Inserte las pilas con los terminales (+) y (-) de acuerdo a la indicación en el interior del compartimento de las pilas.
- 3. Recoloque la tapa.

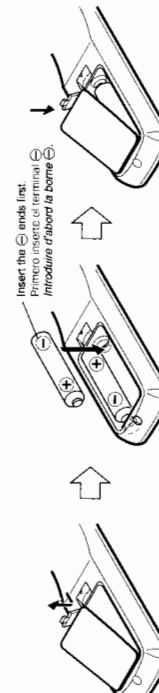
No se han suministrado pilas con esta unidad.

**BOITIER DE TELECOMMANDE**

**Préparatifs avant utilisation**

- Mise en place des piles dans le boîtier de télécommande
- 1. Retirez le couvercle des piles du dos du boîtier.
- 2. Introduire deux piles de taille R6/AA (15F): ● Introduire les piles en respectant les indications des bornes (+) et (-) dans le compartiment des piles.
- 3. Remettre en place le couvercle.

Les piles ne sont pas fournies avec cet appareil.

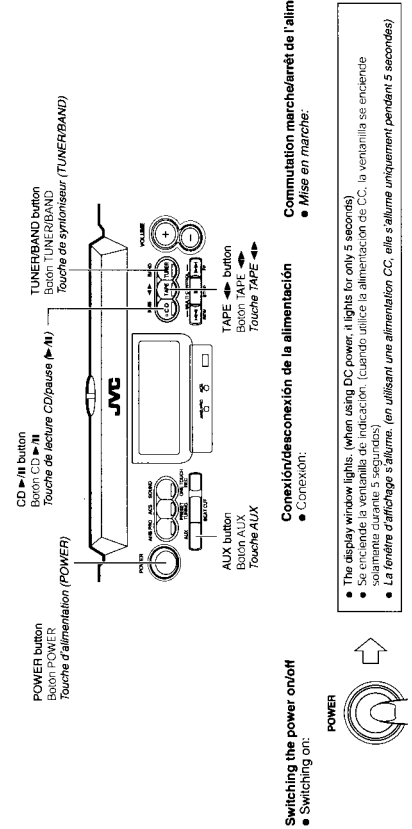


- Battery replacement
- When the remote control operation becomes unstable or the distance from which remote control is possible decreases, replace the batteries.

- Reemplazo de las pilas
- Cuando el funcionamiento del controlador remoto se vuelve inestable o la distancia dentro de la cual actúa se reduce, reemplaza las pilas.

- Remplacement des piles
- Si le fonctionnement de la télécommande devient instable ou si la distance de fonctionnement devient plus courte, remplacer les piles.

**SWITCHING THE POWER ON/OFF** **CONEXION/DESCONEXION DE LA ALIMENTACION** **COMMUTATION MARCHE/ARRÊT DE L'ALIMENTATION**



- Switching the power on/off**
- Switching on:
    - The display window light goes off and only the clock time is displayed. (Lorsque l'affichage s'éteint et uniquement l'heure de l'horloge est affichée.)
    - La fenêtre d'affichage s'éteint et uniquement l'heure de l'horloge est affichée.
  - Switching off:
    - The display window light goes on and only the clock time is displayed. (Lorsque l'affichage s'allume et uniquement l'heure de l'horloge est affichée.)
    - La fenêtre d'affichage s'allume et uniquement l'heure de l'horloge est affichée.
- Commutación/desconexión de la alimentación**
- Conexión:
    - The display window lights (when using DC power, it lights for only 5 seconds) soamente durante 5 segundos) (Cuando utilice la alimentación de CC, la ventanilla se enciende solamente durante 5 segundos)
    - La fenêtre d'affichage s'allume (en utilisant une alimentation CC, elle s'allume uniquement pendant 5 secondes)
  - Desconexión:
    - The display window light goes off and only the clock time is displayed. (Lorsque l'affichage s'éteint et uniquement l'heure de l'horloge est affichée.)
    - La fenêtre d'affichage s'éteint et uniquement l'heure de l'horloge est affichée.
- Commutation marche/arrêt de l'alimentation**
- Mise en marche:
    - The display window lights (when using DC power, it lights for only 5 seconds) soamente durante 5 segundos) (Cuando utilice la alimentación de CC, la ventanilla se enciende solamente durante 5 segundos)
    - La fenêtre d'affichage s'allume (en utilisant une alimentation CC, elle s'allume uniquement pendant 5 secondes)
  - Mise à l'arrêt:
    - The display window light goes off and only the clock time is displayed. (Lorsque l'affichage s'éteint et uniquement l'heure de l'horloge est affichée.)
    - La fenêtre d'affichage s'éteint et uniquement l'heure de l'horloge est affichée.

**Operation of a solo touch (COMPU PLAY) (solo cuando se usa alimentación de CA)**

Even when the power is set to standby, pressing the button shown below switches on the power and selects the source.

Function mode Modo de función Mode fonction	Operations Operaciones Opérations
CD	When this button is pressed with a CD loaded, CD playback begins. Cuando se presiona este botón habiendo una cinta colocada, comienza la reproducción del mismo. Lorsque cette touche est pressée avec un disque audiovisuel chargé, la lecture du disque commence.
TAPE	When this button is pressed with a tape loaded, tape playback begins. Cuando se presiona este botón habiendo una cinta colocada, comienza la reproducción de la misma. Lorsque cette touche est pressée avec une cassette chargée, la lecture de la cassette commence.
TUNER	When this button is pressed, the tuner is engaged. Cuando se presiona este botón, se activa el sintonizador. Lorsque cette touche est pressée, le sintoniseur est engagé.
AUX	Es posible activar una fuente de sonido que esté conectada al terminal AUX IN. Une source de son raccordée à la borne AUX IN peut être engagée.

- Notes:**
- COMPU PLAY doesn't function when the unit is used with batteries or a car adapter. Press the POWER button to turn on. To avoid battery exhaustion, the display window normally doesn't light. However, when the POWER button is pressed to turn on or an operation button is pressed, the display window lights for 5 seconds.
  - When switching off the power, be sure to press the POWER button.
  - The COMPU PLAY function on the remote control has the same function as that on the main unit.
- Remarques:**
- COMPU PLAY ne fonctionne pas quand l'appareil est utilisé avec des piles ou un adaptateur automobile. Appuyez sur la touche POWER pour mettre en marche. Pour éviter l'épuisement de la batterie, normalement la fenêtre d'affichage ne s'allume pas. Toutefois, lorsque la touche POWER est pressée pour mettre en marche ou quand une touche de fonctionnement est pressée, la fenêtre d'affichage s'allume pendant 5 secondes.
  - Pour activer une source de son de bien être, il est possible d'utiliser la borne AUX IN.
  - La fonction COMPU PLAY de la télécommande a la même fonction que celle sur l'appareil principal.

**Utilization of the remote control**

- Pointe le boîtier de télécommande vers la section de détection et l'utiliser dans une limite de 7 m environ.
- La portée de la télécommande devient plus courte quand le boîtier est utilisé en formant un angle.
- n'angle, exposez la section du détecteur de télécommande à une lumière forte (soit du éclairage artificiel).
- S'assurer qu'il n'y a pas d'obstacles entre le détecteur de télécommande et l'appareil principal.
- Si la réception radio est bruitée, éloigner la télécommande de l'appareil principal.

The function being followed can be performed by using the remote control.

- Bien étudier les fonctions des touches de fonctionnement et les utiliser correctement.

**Utilization of the unit of control**

- Apuntala hacia el sensor remoto y hágala funcionar dentro de un radio de 7 m, aprox.
- El radio de acción del controlador remoto es menor cuando se lo apunta en ángulo.
- No exponga el sensor remoto a la luz directa del sol o a fuerte iluminación artificial.
- Si la recepción de radio es ruidosa, aleje el control remoto de la unidad principal.

Las siguientes operaciones deben ser ejecutadas utilizando la unidad de control remoto.

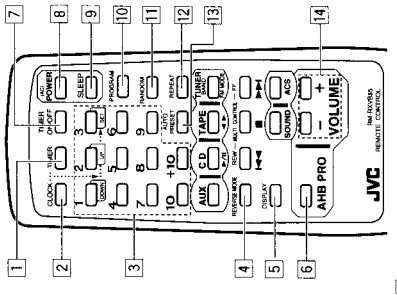
- Compruebe detalladamente el funcionamiento de los botones de operación y opérelos correctamente.

**Using the remote control unit**

- Point at the remote sensor and operate within about 7 m (approx. 23 ft).
- The remote control range is less when the unit is used at an angle.
- Do not expose the remote sensor to strong direct sunlight or artificial lighting.
- Make sure that there are no obstacles between the remote sensor and the unit.
- If the radio reception is noisy, move the remote control unit away from the main unit.

The following operations can be performed using the remote control unit.

- Check the operation button functions carefully and operate them correctly.



1. **TIMER button**  
Press to change the mode to TIMER.
  2. **CLOCK button**  
Press to adjust the clock.
  3. **Number buttons (1-10, +10)**  
Press to play specific tracks or to program tracks. (When the mode is set to CD.)
  4. **REVERSE button**  
Press to select reverse stations.
  5. **DISPLAY button**  
Press to select stations.
  6. **AHB PRO button**  
Adjustment and timer operation (see page 32).
  7. **REVERSE MODE button**  
Press to cancel or reset the TIMER.
  8. **DISPLAY button**  
Press to cancel or reset the TIMER.
  9. **AHB PRO button**  
Press to cancel or reset the TIMER.
  10. **TIMER ON/OFF button**  
Press to cancel or reset the TIMER.
  11. **POWER (AC) button**  
Press to cancel or reset the TIMER.
  12. **SLEEP button**  
Press to select the program play mode.
  13. **RANDOM button**  
Press to select the program play mode.
  14. **REPEAT button**  
Press to select the program play mode.
  15. **AUTO PRESET button**  
Press to select the program play mode.
  16. **VOLUME buttons (+/-)**  
Press to select the program play mode.
- **Buttons not mentioned here have the same functions as those on the main unit.**



**HANDLING CDS**

Since dirty, damaged and warped CDs may damage the unit, take care regarding the following:

- Usable CDs**  
Use CDs with the Compact Disc mark shown below.
- Notes on handling CDs**
  - Do not touch the reflective recorded side.
  - Do not stick or write anything on the label side.
  - Do not bend CDs.
- Storage**
  - After removing a CD from the unit, be sure to put it back in its case.
  - Do not expose CDs to direct sunlight, high temperatures (such as from a heater), high humidity, or dust.
- Cleaning CDs**
  - Before loading a CD, wipe off any dust, dirt or fingerprints with a soft cloth. CDs should be cleaned by wiping radially from the center to the edge.
  - Never use thinner, benzine, record cleaner or antistatic spray.

**MANIPULATION DE CD**

Como los CD sucios, dañados o aborreados pueden dañar la unidad, tome precauciones en relación a lo siguiente:

- CD utilizables**  
Utilice CD con la marca Compact Disc indicada abajo.
- Notas sobre manipulación de CD**
  - No toque la superficie grabada/reflejante.
  - No escriba nada sobre el lado de la etiqueta.
  - No doble los CD.
- Almacenamiento**
  - Después de extraer un CD de la unidad, asegúrese de colocarlo otra vez en su caja.
  - No exponga los CD a la luz directa del sol, altas temperaturas (provenientes de un calentador, etc.), alta humedad, o polvo.
- Limpieza de CD**
  - Antes de colocar un CD, limpie el polvo, suciedad o huellas digitales, con un paño suave. Los CD deben ser limpiados radialmente desde el centro hacia el borde.
  - Nunca utilice solvente, bencina, limpiador de discos o aerosol antistático.

**MANIPULATION DES DISQUES AUDIO NUMÉRIQUES**

Comme la saleté, des disques endommagés ou gondolés peuvent provoquer des dommages à l'appareil, faire attention aux points suivants:

- Disques audio numériques utilisables**  
Utiliser des disques portant la marque montrée.
- Remarques sur la manipulation des disques**
  - Né pas toucher la surface enregistrée/réfléchissante.
  - Né rien coller ni écrire sur la face portant l'étiquette.
  - Né pas courber les disques.
- Stockage**
  - Après retrait d'un disque de l'appareil, s'assurer de bien le remettre dans son boîtier.
  - Né pas exposer les disques en plein soleil, à la lumière directe du soleil, à des températures élevées (provenant d'un appareil de chauffage, dans les endroits très humides ou sales).
- Nettoyage d'un disque**
  - Avant de charger un disque, essayer la poussière, la saleté ou les empreintes digitales à la surface du disque avec un chiffon doux. Le disque doit être nettoyé de l'intérieur vers l'extérieur.

• Ne jamais utiliser de diluant, de benzine, ou nettoyant pour les disques analogiques ou un jet pulvérisé antistatique.

**COMPACT DISC DIGITAL AUDIO**

- Removing the CD from its storage case and loading it.
- Extraction du CD de sa cage y chargement de l'unité.
- Retrait du disque du boîtier de rangement et mise en place.

- Handling
- Manipulation
- Cleaning
- Limpieza
- Nettoyage

**Remarque:**  
Des CD en forme de cœur, de fleur, etc. (CD de forme spéciale) ne peuvent pas être utilisés avec cet appareil. Si ce type de CD est chargé, il risque de causer un problème de fonctionnement.

**Note:**  
Los CD con forma de corazón, flor, etc. (CD con forma especial) no pueden ser usados con esta unidad. Si coloca estos tipos de CD, puede producir una falla.

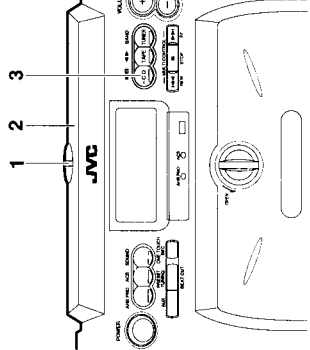
**PLAYING CDS**

**Playing an entire CD**

The following example of playing an entire CD assumes a CD with 12 tracks and a total playing time of 48 minutes 57 seconds.

**Operate in the order shown**

- When AC power is used (When battery power is used, switch on the POWER button first, then perform operation):
- Ne pas exposer les disques en plein soleil, à la lumière directe du soleil, à des températures élevées (provenant d'un appareil de chauffage, dans les endroits très humides ou sales).



- Turn the OPEN knob to the left to open the CD door.
- Load a CD with the label side facing up and close the CD door.
- Press to start play.
- Adjust the volume.

Track number  
Número de pista  
Número de pista  
010001  
Espace playback time  
Tempo de reproducción transcrito  
Durée de lecture écoulée

- Los CD de 8 cm. pueden ser usados con esta unidad sin necesidad de adaptador.
- To stop in the middle of a CD During play, press the STOP button to stop play.
- To stop a CD temporarily Press the CD button temporarily (the play time display blinks). When pressed again, play resumes from the point where it was paused.
- Adjust the volume.

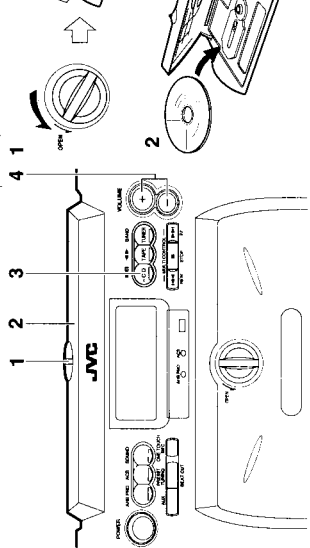
**REPRODUCCION DE CD**

**Reproducción de un CD completo**

El siguiente ejemplo de reproducción de un CD completo supone que se ha colocado un CD con 12 pistas y un tiempo total de reproducción de 48 minutos y 57 segundos.

**Operar en el orden mostrado**

- Cuando se emplea alimentación de CA (Cuando use el botón de alimentación, conecte primero el botón POWER y luego efectúe la operación):
- Ne pas exposer les disques en plein soleil, à la lumière directe du soleil, à des températures élevées (provenant d'un appareil de chauffage, dans les endroits très humides ou sales).



- Gire la perilla OPEN hacia la izquierda para abrir la puerta del CD.
- Coloque el CD con el rotulo apuntando hacia arriba y cierre la puerta del CD. Presione la puerta del CD hacia abajo.
- Presione para iniciar la reproducción.
- Ajuste el volumen.

Track number  
Número de pista  
Número de pista  
010001  
Espace playback time  
Tempo de reproducción transcrito  
Durée de lecture écoulée

- Los CD de 8 cm. pueden ser usados con esta unidad sin necesidad de adaptador.
- To stop in the middle of a CD During play, press the STOP button to stop reproduction.
- To stop a CD temporarily Presione el botón CD para detener la reproducción temporalmente (el tiempo de reproducción parpadeará). Cuando se presione de nuevo, la reproducción continuará desde el punto donde se efectuó la pausa.
- Ajuste el volumen.

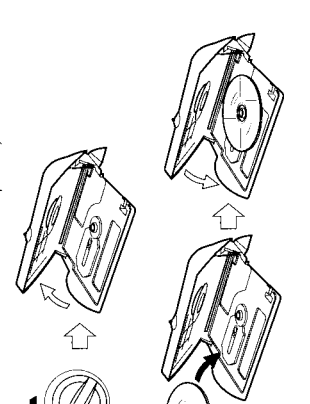
**LECTURE DE DISQUES AUDIO NUMÉRIQUES**

**Lecture d'un disque entier**

L'exemple suivant suppose un disque audio numérique avec 12 morceaux et une durée de lecture totale de 48 minutes 57 secondes.

**Procéder dans l'ordre indiqué**

- Lorsque l'alimentation secteur est utilisée (Si l'énergie des piles est utilisée, commutateur d'abord la touche POWER sur marche, puis effectuer l'opération):
- Ne pas exposer les disques en plein soleil, à la lumière directe du soleil, à des températures élevées (provenant d'un appareil de chauffage, dans les endroits très humides ou sales).



- Turner le bouton OPEN sur la gauche pour ouvrir le volet CD.
- Charger un CD avec la face étiquetée vers le haut et fermer le volet CD. Appuyer sur le volet CD.
- Appuyer pour commencer la lecture.
- Ajuster le volume.

Track number  
Número de pista  
Número de pista  
010001  
Espace playback time  
Tempo de reproducción transcrito  
Durée de lecture écoulée

- Los CD de 8 cm. pueden ser usados con esta unidad sin necesidad de adaptador.
- To stop in the middle of a CD During play, press the STOP button to stop reproduction.
- To stop a CD temporarily Presione el botón CD para detener la reproducción temporalmente (el tiempo de reproducción parpadeará). Cuando se presione de nuevo, la reproducción continuará desde el punto donde se efectuó la pausa.
- Ajuste el volumen.

**REMARQUES**

Indiquer le bouton POWER sur marche, puis effectuer l'opération.

- Les disques audio numériques de 8 cm peuvent être utilisés dans cet appareil sans utiliser d'adaptateur.
- Pour arrêter au milieu d'un disque Presser le bouton STOP pendant la lecture, arrêter la lecture.
- Pour arrêter momentanément un disque Appuyer sur la touche CD pour arrêter momentanément la lecture et l'affichage de la durée de lecture éligible. Quand la touche est de nouveau pressée, la lecture reprend à partir du point où elle avait été interrompue.

Remarque:

- Indiquer le bouton POWER sur marche, puis effectuer l'opération.
- Les disques audio numériques de 8 cm peuvent être utilisés dans cet appareil sans utiliser d'adaptateur.
- Pour arrêter au milieu d'un disque Presser le bouton STOP pendant la lecture, arrêter la lecture.
- Pour arrêter momentanément un disque Appuyer sur la touche CD pour arrêter momentanément la lecture et l'affichage de la durée de lecture éligible. Quand la touche est de nouveau pressée, la lecture reprend à partir du point où elle avait été interrompue.

**REMARQUES**

Indiquer le bouton POWER sur marche, puis effectuer l'opération.

- Les disques audio numériques de 8 cm peuvent être utilisés dans cet appareil sans utiliser d'adaptateur.
- Pour arrêter au milieu d'un disque Presser le bouton STOP pendant la lecture, arrêter la lecture.
- Pour arrêter momentanément un disque Appuyer sur la touche CD pour arrêter momentanément la lecture et l'affichage de la durée de lecture éligible. Quand la touche est de nouveau pressée, la lecture reprend à partir du point où elle avait été interrompue.

Remarque:

- Indiquer le bouton POWER sur marche, puis effectuer l'opération.
- Les disques audio numériques de 8 cm peuvent être utilisés dans cet appareil sans utiliser d'adaptateur.
- Pour arrêter au milieu d'un disque Presser le bouton STOP pendant la lecture, arrêter la lecture.
- Pour arrêter momentanément un disque Appuyer sur la touche CD pour arrêter momentanément la lecture et l'affichage de la durée de lecture éligible. Quand la touche est de nouveau pressée, la lecture reprend à partir du point où elle avait été interrompue.

**REMARQUES**

Indiquer le bouton POWER sur marche, puis effectuer l'opération.

- Les disques audio numériques de 8 cm peuvent être utilisés dans cet appareil sans utiliser d'adaptateur.
- Pour arrêter au milieu d'un disque Presser le bouton STOP pendant la lecture, arrêter la lecture.
- Pour arrêter momentanément un disque Appuyer sur la touche CD pour arrêter momentanément la lecture et l'affichage de la durée de lecture éligible. Quand la touche est de nouveau pressée, la lecture reprend à partir du point où elle avait été interrompue.

Remarque:

- Indiquer le bouton POWER sur marche, puis effectuer l'opération.
- Les disques audio numériques de 8 cm peuvent être utilisés dans cet appareil sans utiliser d'adaptateur.
- Pour arrêter au milieu d'un disque Presser le bouton STOP pendant la lecture, arrêter la lecture.
- Pour arrêter momentanément un disque Appuyer sur la touche CD pour arrêter momentanément la lecture et l'affichage de la durée de lecture éligible. Quand la touche est de nouveau pressée, la lecture reprend à partir du point où elle avait été interrompue.

**REMARQUES**

Indiquer le bouton POWER sur marche, puis effectuer l'opération.

- Les disques audio numériques de 8 cm peuvent être utilisés dans cet appareil sans utiliser d'adaptateur.
- Pour arrêter au milieu d'un disque Presser le bouton STOP pendant la lecture, arrêter la lecture.
- Pour arrêter momentanément un disque Appuyer sur la touche CD pour arrêter momentanément la lecture et l'affichage de la durée de lecture éligible. Quand la touche est de nouveau pressée, la lecture reprend à partir du point où elle avait été interrompue.

Remarque:

- Indiquer le bouton POWER sur marche, puis effectuer l'opération.
- Les disques audio numériques de 8 cm peuvent être utilisés dans cet appareil sans utiliser d'adaptateur.
- Pour arrêter au milieu d'un disque Presser le bouton STOP pendant la lecture, arrêter la lecture.
- Pour arrêter momentanément un disque Appuyer sur la touche CD pour arrêter momentanément la lecture et l'affichage de la durée de lecture éligible. Quand la touche est de nouveau pressée, la lecture reprend à partir du point où elle avait été interrompue.

**REMARQUES**

Indiquer le bouton POWER sur marche, puis effectuer l'opération.

- Les disques audio numériques de 8 cm peuvent être utilisés dans cet appareil sans utiliser d'adaptateur.
- Pour arrêter au milieu d'un disque Presser le bouton STOP pendant la lecture, arrêter la lecture.
- Pour arrêter momentanément un disque Appuyer sur la touche CD pour arrêter momentanément la lecture et l'affichage de la durée de lecture éligible. Quand la touche est de nouveau pressée, la lecture reprend à partir du point où elle avait été interrompue.

Remarque:

- Indiquer le bouton POWER sur marche, puis effectuer l'opération.
- Les disques audio numériques de 8 cm peuvent être utilisés dans cet appareil sans utiliser d'adaptateur.
- Pour arrêter au milieu d'un disque Presser le bouton STOP pendant la lecture, arrêter la lecture.
- Pour arrêter momentanément un disque Appuyer sur la touche CD pour arrêter momentanément la lecture et l'affichage de la durée de lecture éligible. Quand la touche est de nouveau pressée, la lecture reprend à partir du point où elle avait été interrompue.

**REMARQUES**

Indiquer le bouton POWER sur marche, puis effectuer l'opération.

- Les disques audio numériques de 8 cm peuvent être utilisés dans cet appareil sans utiliser d'adaptateur.
- Pour arrêter au milieu d'un disque Presser le bouton STOP pendant la lecture, arrêter la lecture.
- Pour arrêter momentanément un disque Appuyer sur la touche CD pour arrêter momentanément la lecture et l'affichage de la durée de lecture éligible. Quand la touche est de nouveau pressée, la lecture reprend à partir du point où elle avait été interrompue.

Remarque:

- Indiquer le bouton POWER sur marche, puis effectuer l'opération.
- Les disques audio numériques de 8 cm peuvent être utilisés dans cet appareil sans utiliser d'adaptateur.
- Pour arrêter au milieu d'un disque Presser le bouton STOP pendant la lecture, arrêter la lecture.
- Pour arrêter momentanément un disque Appuyer sur la touche CD pour arrêter momentanément la lecture et l'affichage de la durée de lecture éligible. Quand la touche est de nouveau pressée, la lecture reprend à partir du point où elle avait été interrompue.

**REMARQUES**

Indiquer le bouton POWER sur marche, puis effectuer l'opération.

- Les disques audio numériques de 8 cm peuvent être utilisés dans cet appareil sans utiliser d'adaptateur.
- Pour arrêter au milieu d'un disque Presser le bouton STOP pendant la lecture, arrêter la lecture.
- Pour arrêter momentanément un disque Appuyer sur la touche CD pour arrêter momentanément la lecture et l'affichage de la durée de lecture éligible. Quand la touche est de nouveau pressée, la lecture reprend à partir du point où elle avait été interrompue.

Remarque:

- Indiquer le bouton POWER sur marche, puis effectuer l'opération.
- Les disques audio numériques de 8 cm peuvent être utilisés dans cet appareil sans utiliser d'adaptateur.
- Pour arrêter au milieu d'un disque Presser le bouton STOP pendant la lecture, arrêter la lecture.
- Pour arrêter momentanément un disque Appuyer sur la touche CD pour arrêter momentanément la lecture et l'affichage de la durée de lecture éligible. Quand la touche est de nouveau pressée, la lecture reprend à partir du point où elle avait été interrompue.

**REMARQUES**

Indiquer le bouton POWER sur marche, puis effectuer l'opération.

- Les disques audio numériques de 8 cm peuvent être utilisés dans cet appareil sans utiliser d'adaptateur.
- Pour arrêter au milieu d'un disque Presser le bouton STOP pendant la lecture, arrêter la lecture.
- Pour arrêter momentanément un disque Appuyer sur la touche CD pour arrêter momentanément la lecture et l'affichage de la durée de lecture éligible. Quand la touche est de nouveau pressée, la lecture reprend à partir du point où elle avait été interrompue.

Remarque:

- Indiquer le bouton POWER sur marche, puis effectuer l'opération.
- Les disques audio numériques de 8 cm peuvent être utilisés dans cet appareil sans utiliser d'adaptateur.
- Pour arrêter au milieu d'un disque Presser le bouton STOP pendant la lecture, arrêter la lecture.
- Pour arrêter momentanément un disque Appuyer sur la touche CD pour arrêter momentanément la lecture et l'affichage de la durée de lecture éligible. Quand la touche est de nouveau pressée, la lecture reprend à partir du point où elle avait été interrompue.

**REMARQUES**

Indiquer le bouton POWER sur marche, puis effectuer l'opération.

- Les disques audio numériques de 8 cm peuvent être utilisés dans cet appareil sans utiliser d'adaptateur.
- Pour arrêter au milieu d'un disque Presser le bouton STOP pendant la lecture, arrêter la lecture.
- Pour arrêter momentanément un disque Appuyer sur la touche CD pour arrêter momentanément la lecture et l'affichage de la durée de lecture éligible. Quand la touche est de nouveau pressée, la lecture reprend à partir du point où elle avait été interrompue.

Remarque:

- Indiquer le bouton POWER sur marche, puis effectuer l'opération.
- Les disques audio numériques de 8 cm peuvent être utilisés dans cet appareil sans utiliser d'adaptateur.
- Pour arrêter au milieu d'un disque Presser le bouton STOP pendant la lecture, arrêter la lecture.
- Pour arrêter momentanément un disque Appuyer sur la touche CD pour arrêter momentanément la lecture et l'affichage de la durée de lecture éligible. Quand la touche est de nouveau pressée, la lecture reprend à partir du point où elle avait été interrompue.

**REMARQUES**

Indiquer le bouton POWER sur marche, puis effectuer l'opération.

- Les disques audio numériques de 8 cm peuvent être utilisés dans cet appareil sans utiliser d'adaptateur.
- Pour arrêter au milieu d'un disque Presser le bouton STOP pendant la lecture, arrêter la lecture.
- Pour arrêter momentanément un disque Appuyer sur la touche CD pour arrêter momentanément la lecture et l'affichage de la durée de lecture éligible. Quand la touche est de nouveau pressée, la lecture reprend à partir du point où elle avait été interrompue.

Remarque:

- Indiquer le bouton POWER sur marche, puis effectuer l'opération.
- Les disques audio numériques de 8 cm peuvent être utilisés dans cet appareil sans utiliser d'adaptateur.
- Pour arrêter au milieu d'un disque Presser le bouton STOP pendant la lecture, arrêter la lecture.
- Pour arrêter momentanément un disque Appuyer sur la touche CD pour arrêter momentanément la lecture et l'affichage de la durée de lecture éligible. Quand la touche est de nouveau pressée, la lecture reprend à partir du point où elle avait été interrompue.

**REMARQUES**

Indiquer le bouton POWER sur marche, puis effectuer l'opération.

- Les disques audio numériques de 8 cm peuvent être utilisés dans cet appareil sans utiliser d'adaptateur.
- Pour arrêter au milieu d'un disque Presser le bouton STOP pendant la lecture, arrêter la lecture.
- Pour arrêter momentanément un disque Appuyer sur la touche CD pour arrêter momentanément la lecture et l'affichage de la durée de lecture éligible. Quand la touche est de nouveau pressée, la lecture reprend à partir du point où elle avait été interrompue.

Remarque:

- Indiquer le bouton POWER sur marche, puis effectuer l'opération.
- Les disques audio numériques de 8 cm peuvent être utilisés dans cet appareil sans utiliser d'adaptateur.
- Pour arrêter au milieu d'un disque Presser le bouton STOP pendant la lecture, arrêter la lecture.
- Pour arrêter momentanément un disque Appuyer sur la touche CD pour arrêter momentanément la lecture et l'affichage de la durée de lecture éligible. Quand la touche est de nouveau pressée, la lecture reprend à partir du point où elle avait été interrompue.

**REMARQUES**

Indiquer le bouton POWER sur marche, puis effectuer l'opération.

- Les disques audio numériques de 8 cm peuvent être utilisés dans cet appareil sans utiliser d'adaptateur.
- Pour arrêter au milieu d'un disque Presser le bouton STOP pendant la lecture, arrêter la lecture.
- Pour arrêter momentanément un disque Appuyer sur la touche CD pour arrêter momentanément la lecture et l'affichage de la durée de lecture éligible. Quand la touche est de nouveau pressée, la lecture reprend à partir du point où elle avait été interrompue.

Remarque:

- Indiquer le bouton POWER sur marche, puis effectuer l'opération.
- Les disques audio numériques de 8 cm peuvent être utilisés dans cet appareil sans utiliser d'adaptateur.
- Pour arrêter au milieu d'un disque Presser le bouton STOP pendant la lecture, arrêter la lecture.
- Pour arrêter momentanément un disque Appuyer sur la touche CD pour arrêter momentanément la lecture et l'affichage de la durée de lecture éligible. Quand la touche est de nouveau pressée, la lecture reprend à partir du point où elle avait été interrompue.

**REMARQUES**

Indiquer le bouton POWER sur marche, puis effectuer l'opération.

- Les disques audio numériques de 8 cm peuvent être utilisés dans cet appareil sans utiliser d'adaptateur.
- Pour arrêter au milieu d'un disque Presser le bouton STOP pendant la lecture, arrêter la lecture.
- Pour arrêter momentanément un disque Appuyer sur la touche CD pour arrêter momentanément la lecture et l'affichage de la durée de lecture éligible. Quand la touche est de nouveau pressée, la lecture reprend à partir du point où elle avait été interrompue.

Remarque:

- Indiquer le bouton POWER sur marche, puis effectuer l'opération.
- Les disques audio numériques de 8 cm peuvent être utilisés dans cet appareil sans utiliser d'adaptateur.
- Pour arrêter au milieu d'un disque Presser le bouton STOP pendant la lecture, arrêter la lecture.
- Pour arrêter momentanément un disque Appuyer sur la touche CD pour arrêter momentanément la lecture et l'affichage de la durée de lecture éligible. Quand la touche est de nouveau pressée, la lecture reprend à partir du point où elle avait été interrompue.

**REMARQUES**

Indiquer le bouton POWER sur marche, puis effectuer l'opération.

- Les disques audio numériques de 8 cm peuvent être utilisés dans cet appareil sans utiliser d'adaptateur.
- Pour arrêter au milieu d'un disque Presser le bouton STOP pendant la lecture, arrêter la lecture.
- Pour arrêter momentanément un disque Appuyer sur la touche CD pour arrêter momentanément la lecture et l'affichage de la durée de lecture éligible. Quand la touche est de nouveau pressée, la lecture reprend à partir du point où elle avait été interrompue.

Remarque:

- Indiquer le bouton POWER sur marche, puis effectuer l'opération.
- Les disques audio numériques de 8 cm peuvent être utilisés dans cet appareil sans utiliser d'adaptateur.
- Pour arrêter au milieu d'un disque Presser le bouton STOP pendant la lecture, arrêter la lecture.
- Pour arrêter momentanément un disque Appuyer sur la touche CD pour arrêter momentanément la lecture et l'affichage de la durée de lecture éligible. Quand la touche est de nouveau pressée, la lecture reprend à partir du point où elle avait été interrompue.

**REMARQUES**

Indiquer le bouton POWER sur marche, puis effectuer l'opération.

- Les disques audio numériques de 8 cm peuvent être utilisés dans cet appareil sans utiliser d'adaptateur.
- Pour arrêter au milieu d'un disque Presser le bouton STOP pendant la lecture, arrêter la lecture.
- Pour arrêter momentanément un disque Appuyer sur la touche CD pour arrêter momentanément la lecture et l'affichage de la durée de lecture éligible. Quand la touche est de nouveau pressée, la lecture reprend à partir du point où elle avait été interrompue.

Remarque:

- Indiquer le bouton POWER sur marche, puis effectuer l'opération.
- Les disques audio numériques de 8 cm peuvent être utilisés dans cet appareil sans utiliser d'adaptateur.
- Pour arrêter au milieu d'un disque Presser le bouton STOP pendant la lecture, arrêter la lecture.
- Pour arrêter momentanément un disque Appuyer sur la touche CD pour arrêter momentanément la lecture et l'affichage de la durée de lecture éligible. Quand la touche est de nouveau pressée, la lecture reprend à partir du point où elle avait été interrompue.

**REMARQUES**

Indiquer le bouton POWER sur marche, puis effectuer l'opération.

- Les disques audio numériques de 8 cm peuvent être utilisés dans cet appareil sans utiliser d'adaptateur.
- Pour arrêter au milieu d'un disque Presser le bouton STOP pendant la lecture, arrêter la lecture.
- Pour arrêter momentanément un disque Appuyer sur la touche CD pour arrêter momentanément la lecture et l'affichage de la durée de lecture éligible. Quand la touche est de nouveau pressée, la lecture reprend à partir du point où elle avait été interrompue.

Remarque:

- Indiquer le bouton POWER sur marche, puis effectuer l'opération.
- Les disques audio numériques de 8 cm peuvent être utilisés dans cet appareil sans utiliser d'adaptateur.
- Pour arrêter au milieu d'un disque Presser le bouton STOP pendant la lecture, arrêter la lecture.
- Pour arrêter momentanément un disque Appuyer sur la touche CD pour arrêter momentanément la lecture et l'affichage de la durée de lecture éligible. Quand la touche est de nouveau pressée, la lecture reprend à partir du point où elle avait été interrompue.

**REMARQUES**

Indiquer le bouton POWER sur marche, puis effectuer l'opération.

- Les disques audio numériques de 8 cm peuvent être utilisés dans cet appareil sans utiliser d'adaptateur.
- Pour arrêter au milieu d'un disque Presser le bouton STOP pendant la lecture, arrêter la lecture.
- Pour arrêter momentanément un disque Appuyer sur la touche CD pour arrêter momentanément la lecture et l'affichage de la durée de lecture éligible. Quand la touche est de nouveau pressée, la lecture reprend à partir du point où elle avait été interrompue.

Remarque:

- Indiquer le bouton POWER sur marche, puis effectuer l'opération.
- Les disques audio numériques de 8 cm peuvent être utilisés dans cet appareil sans utiliser d'adaptateur.
- Pour arrêter au milieu d'un disque Presser le bouton STOP pendant la lecture, arrêter la lecture.
- Pour arrêter momentanément un disque Appuyer sur la touche CD pour arrêter momentanément la lecture et l'affichage de la durée de lecture éligible. Quand la touche est de nouveau pressée, la lecture reprend à partir du point où elle avait été interrompue.

**REMARQUES**

Indiquer le bouton POWER sur marche, puis effectuer l'opération.

- Les disques audio numériques de 8 cm peuvent être utilisés dans cet appareil sans utiliser d'adaptateur.
- Pour arrêter au milieu d'un disque Presser le bouton STOP pendant la lecture, arrêter la lecture.
- Pour arrêter momentanément un disque Appuyer sur la touche CD pour arrêter momentanément la lecture et l'affichage de la durée de lecture éligible. Quand la touche est de nouveau pressée, la lecture reprend à partir du point où elle avait été interrompue.

Remarque:

- Indiquer le bouton POWER sur marche, puis effectuer l'opération.
- Les disques audio numériques de 8 cm peuvent être utilisés dans cet appareil sans utiliser d'adaptateur.
- Pour arrêter au milieu d'un disque Presser le bouton STOP pendant la lecture, arrêter la lecture.
- Pour arrêter momentanément un disque Appuyer sur la touche CD pour arrêter momentanément la lecture et l'affichage de la durée de lecture éligible. Quand la touche est de nouveau pressée, la lecture reprend à partir du point où elle avait été interrompue.

**REMARQUES**

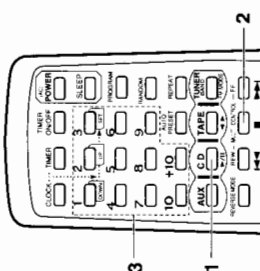
Indiquer le bouton POWER sur

**Lectura à accés direct (en utilisant la télécommande)**

- Une pression sur l'une des touches de numéro de piste fera démarrer la lecture à partir du début de la piste désignée. (Esta función no puede ser usada durante la reproducción programada.)

**Reproducción por acceso directo (utilizando la unidad de control remoto)**

- Si presiona cualquiera de los botones de número de pista, la reproducción se iniciará desde el principio de la pista escogida. (Esta función no puede ser usada durante la reproducción programada.)



**1** Appuyer sur la touche CD ►►► pour passer en mode CD.

**2** Appuyer sur la touche ■ pour désigner la piste voulue en utilisant les touches numériques.

**3** Appuyer sur la touche de numéro de piste 1 à 10, appuyer sur la touche de numéro de piste correspondant au numéro de piste.

- Pour désigner des numéros supérieurs à 10, appuyer sur la touche +10, le nombre de pistes choisies, puis sur une touche de numéro de piste.

**Ejemplo:**  
(Pour désigner la 20ème piste)  
Appuyer, une fois sur la touche +10, puis appuyer sur la touche de numéro de piste 10.  
(Pour désigner la 25ème piste)  
Appuyer deux fois sur la touche +10, puis appuyer sur la touche de numéro de piste 5.

- Touche +10:  
A chaque pression sur cette touche, le nombre de pistes choisies augmente de 10. Par exemple, appuyer sur cette touche pour le chiffre des dizaines puis presser la touche de numéro de piste pour le chiffre des unités.

**1** Presione el botón CD ►►► para activar el modo de CD.

**2** Presione el botón ■ seleccione la pista deseada empleando los botones de número de pista.

- Para seleccionar números de pista de 1 a 10, presione el botón de número de pista correspondiente al número de pista.
- Para seleccionar el número de pista 11 o mayor, presione el botón +10 el número de pistas deseadas y luego un botón de número de pista.

**Ejemplo:**  
(Para seleccionar la pista no. 20)  
Presione una vez el botón +10 y luego presione el botón de número de pista 10.  
(Para seleccionar la pista no. 25)  
Presione dos veces el botón +10 y luego presione el botón de número de pista 5.

- Botón +10:  
Cada vez que presiona este botón el número de pistas que se agregan a la reproducción aumenta en 10. Por ejemplo, presione este botón para ingresar las decenas, luego presione el botón de número de pista para ingresar las unidades.

**• Pour passer à une autre piste pendant la lecture**  
Quand la touche de numéro de piste voulue est pressée, l'affichage indique le numéro de piste spécifié et la lecture commence à partir du morceau spécifié.

**• Para saltar a otra pista durante la reproducción**  
Cuando presiona el número de pista deseada la indicación muestra el número de la pista y se inicia la reproducción desde el principio de la pista designada.

**Direct access play (using the remote control unit)**

- Pressing any of the track number buttons will start play from the beginning of the designated track. (This function cannot be used during programmed play.)

**• Ne pas utiliser l'appareil à des températures très élevées ou trop basses. La gamme de température recommandée est entre 5°C (41°F) et 35°C (95°F).**

- Après lecture, décharger les CD et fermer le volet.
- Si un problème d'alignement se produit pendant la lecture, baisser le volume.
- Assurez-vous que l'appareil, sorti, si possible, est placé sur une surface plane.
- Ne rien placer d'autre qu'un CD sur le plateau CD, ce qui pourrait endommager l'appareil.
- Ne pas faire subir de chocs à l'appareil, ni utiliser l'appareil dans une position instable, sinon un mauvais alignement peut se produire.

**• Do not use the unit at excessively high or low temperatures. The recommended temperature range is from 5°C (41°F) to 35°C (95°F).**

- Después de la reproducción, retire los CD y cierre los portadiscos.
- Si ocurre una falla de seguimiento durante la reproducción, reduzca el volumen.
- Asegúrese de que el equipo, si es posible, se encuentre sobre una superficie plana.
- No coloque ningún otro objeto que no sea el CD en portadisco de CD, ya que ello puede dañar la unidad.
- No golpee la unidad ni la coloque en un lugar inestable, de lo contrario pueden ocurrir fallas de seguimiento.

**• Do not use the unit at excessively high or low temperatures. The recommended temperature range is from 5°C (41°F) to 35°C (95°F).**

- If mistaking occurs during play, lower the volume.
- Be sure that the unit, take the discs out of the disc tray if possible.
- Do not place anything other than a CD on the CD holder, as this may cause damage to the unit.
- Do not apply shock to the unit or use the unit in an unstable position, otherwise mistaking may occur.

**1** Press the CD►►► button to set to the CD mode.

**2** Press the ■ button.

**3** Designate the required track using the track number buttons.

- To designate track numbers 1 to 10, press the track number button corresponding to the track number.
- To designate track number 11 or higher, press the +10 button, the required number of times, then a track number button.

**Ejemplo:**  
(To designate the 20th track)  
Press the +10 button once, then press track number button 10.  
(To designate the 25th track)  
Press the +10 button twice, then press track number button 5.

- Each time this button is pressed, the number increases by 10. First press this button to set the 10's digit, then press the track number button to set the 1's digit.

**1** Press the CD►►► button to set to the CD mode.

**2** Press the ■ button.

**3** Designate the required track using the track number buttons.

- To designate track numbers 1 to 10, press the track number button corresponding to the track number.
- To designate track number 11 or higher, press the +10 button, the required number of times, then a track number button.

**Ejemplo:**  
(To designate the 20th track)  
Press the +10 button once, then press track number button 10.  
(To designate the 25th track)  
Press the +10 button twice, then press track number button 5.

- Each time this button is pressed, the number increases by 10. First press this button to set the 10's digit, then press the track number button to set the 1's digit.

**• To skip to another track during play**  
When the required track number button is pressed, the display shows the designated track number and play starts from the beginning of the designated track.

**• To skip to another track during play**  
When the required track number button is pressed, the display shows the designated track number and play starts from the beginning of the designated track.

**• To listen to the previous track...**  
Press the ◀ button to skip to the beginning of the track being played. Press twice quickly to skip to the beginning of the previous track.

**• To listen to the previous track...**  
Press the ◀ button to skip to the beginning of the track being played. Press twice quickly to skip to the beginning of the previous track.

**• To listen to the previous track...**  
Press the ◀ button to skip to the beginning of the track being played. Press twice quickly to skip to the beginning of the previous track.

**• To listen to the previous track...**  
Press the ◀ button to skip to the beginning of the track being played. Press twice quickly to skip to the beginning of the previous track.

**• To listen to the previous track...**  
Press the ◀ button to skip to the beginning of the track being played. Press twice quickly to skip to the beginning of the previous track.

**• To listen to the previous track...**  
Press the ◀ button to skip to the beginning of the track being played. Press twice quickly to skip to the beginning of the previous track.

**• To listen to the previous track...**  
Press the ◀ button to skip to the beginning of the track being played. Press twice quickly to skip to the beginning of the previous track.

**• To listen to the previous track...**  
Press the ◀ button to skip to the beginning of the track being played. Press twice quickly to skip to the beginning of the previous track.

**• To listen to the previous track...**  
Press the ◀ button to skip to the beginning of the track being played. Press twice quickly to skip to the beginning of the previous track.

**• To listen to the previous track...**  
Press the ◀ button to skip to the beginning of the track being played. Press twice quickly to skip to the beginning of the previous track.

**• To listen to the previous track...**  
Press the ◀ button to skip to the beginning of the track being played. Press twice quickly to skip to the beginning of the previous track.

**• To listen to the previous track...**  
Press the ◀ button to skip to the beginning of the track being played. Press twice quickly to skip to the beginning of the previous track.

**• To listen to the previous track...**  
Press the ◀ button to skip to the beginning of the track being played. Press twice quickly to skip to the beginning of the previous track.

**• To listen to the previous track...**  
Press the ◀ button to skip to the beginning of the track being played. Press twice quickly to skip to the beginning of the previous track.

**• To listen to the previous track...**  
Press the ◀ button to skip to the beginning of the track being played. Press twice quickly to skip to the beginning of the previous track.

**• To listen to the previous track...**  
Press the ◀ button to skip to the beginning of the track being played. Press twice quickly to skip to the beginning of the previous track.

**• To listen to the previous track...**  
Press the ◀ button to skip to the beginning of the track being played. Press twice quickly to skip to the beginning of the previous track.

**Keep pressing for fast-reverse search.**  
Mantenga presionado para la búsqueda regresiva rápida.  
Mantener presionar para la retroceder acelerada atrás.

**Keep pressing for fast-reverse search.**  
Mantenga presionado para la búsqueda regresiva rápida.  
Mantener presionar para la retroceder acelerada atrás.

**Keep pressing for fast-reverse search.**  
Mantenga presionado para la búsqueda regresiva rápida.  
Mantener presionar para la retroceder acelerada atrás.

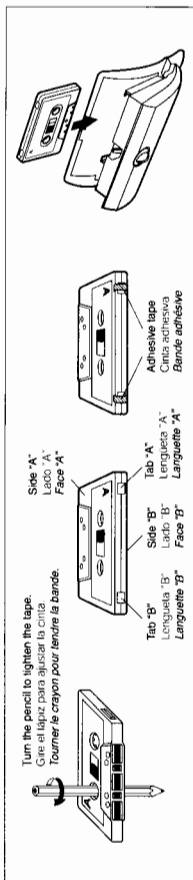
**Keep pressing for fast-reverse search.**  
Mantenga presionado para la búsqueda regresiva rápida.  
Mantener presionar para la retroceder acelerada atrás.

**Keep pressing for fast-reverse search.**  
Mantenga presionado para la búsqueda regresiva rápida.  
Mantener presionar para la retroceder acelerada atrás.

**Keep pressing for fast-reverse search.**  
Mantenga presionado para la búsqueda regresiva rápida.  
Mantener presionar para la retroceder acelerada atrás.







**Note:** Si se desconecta la alimentación durante el transporte de cinta, puede que sea imposible extraer el cassette. Si ello ocurre, conecte la alimentación una vez antes de intentar extraer el cassette.

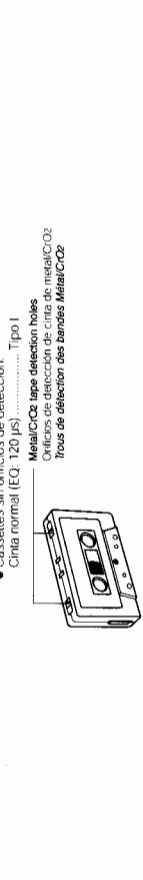
**Mecanismo de selección automática de la cinta**  
Esta unidad posee un mecanismo de selección automática de la cinta que distingue los diferentes tipos de cinta por medio de orificios de detección en el cassette. Después de haber detectado el tipo de cinta, la unidad establece la polarización y equalización adecuadas para la cinta.

- Cassettes with detection holes:
  - Cinta de metal (EQ: 70 µs)..... Type IV
  - Cinta de CrO<sub>2</sub> (cromo) (EQ: 70 µs)..... Type II
  - Cassettes without detection holes:
    - Normal tape (EQ: 120 µs)..... Type I
    - ..... Type I
    - ..... Type I

**Remarque:** Si l'alimentation est coupée alors que la bande tourne, il peut être impossible de retirer la cassette. Dans ce cas, retourner l'alimentation avant d'essayer de retirer la cassette.

**Mécanisme de sélection automatique de bande**  
Cet appareil comporte un mécanisme de sélection automatique de bande qui reconnaît divers types de bandes grâce aux trous de détection dans les cassettes. Une fois le type de bande détecté, la polarisation et l'égalisation sont réglées pour correspondre au mieux à la bande.

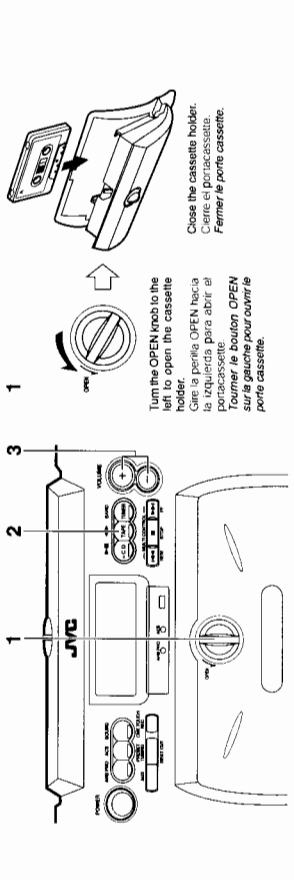
- Cassettes avec trous de détection:
  - Bande CrO<sub>2</sub> (chrome) (EQ: 70 µs)..... Type IV
  - Bande normale (EQ: 120 µs)..... Type I
  - ..... Type I
  - ..... Type I



**CASSETTE PLAYBACK**

**Operate in the order shown**

- When AC power is used (When battery power is used, switch on the power button first, then perform operation):

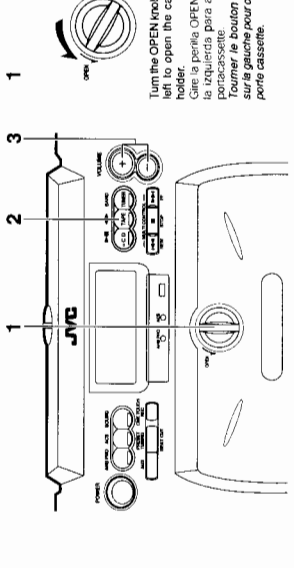


**1** Load a cassette tape with side A facing out.  
**2** Press to start playback. (The power is switched on and the TAPE mode is engaged to start tape playback.)  
**3** Adjust the volume.

**REPRODUCCION DE CASSETTES**

**Operate in the order shown**

- Quando emplea alimentación de CA (Si la pila está agotada, conecte primero el botón de alimentación y luego ejecute la operación):

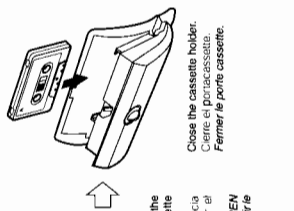


**1** Coloque un cassette con la cara A apuntando hacia afuera.  
**2** Presione para iniciar la reproducción. (Se conecta la alimentación y se activa el modo TAPE para iniciar la reproducción de la cinta.)  
**3** Ajuste el volumen.

**LECTURE DE CASSETTE**

**Procéder dans l'ordre indiqué**

- Lorsque l'alimentation secteur est utilisée (Si l'énergie des piles est utilisée, commutier d'abord la touche d'alimentation, puis effectuer l'opération):



**1** Chargez une cassette avec la face A à l'extérieur.  
**2** Appuyez pour lancer la lecture. (L'alimentation est mise sur marche et le mode TAPE est engagé pour lancer la lecture de la bande.)  
**3** Réglez le volume.

After loading a cassette tape, simply press the TAPE button. The power is switched on and the tape starts playback. (To select the playback direction, press the TAPE button. The change in direction can be checked with the tape direction indicator ( or ) has tape plays back with the reverse mode set to (single side play) or (both sides play) mode, the tape stops automatically at the end of the tape after playing one or both sides. When the reverse mode is set to the (continuous play) mode, the tape continuously plays one side after the other until you stop operation.

**Notes:**  
Place the unit on a level surface, otherwise the tape may not open when you turn the OPEN knob until the tape mechanism has stopped moving.  
When no tape is loaded in the deck, its tape playback direction cannot be switched over.

**How to fast-wind tapes**

- Press the TAPE button (to set to TAPE mode).
- Press the (REW) or (FF) button.

Después de colocar un cassette de cinta simplemente presione el botón TAPE. Se conecta la alimentación y la cinta comienza a ser reproducida. (Para seleccionar el sentido de reproducción, presione el botón TAPE. El cambio de dirección puede ser verificado en el indicador ( o ) de la dirección de la cinta.) La reproducción en el modo de inversión rápida ( o ) de una sola cara o en el modo de reproducción de un solo lado o en el modo de reproducción de ambos lados, la cinta se detiene automáticamente al fin de la misma después de la reproducción de uno o ambos lados. Cuando se activa el modo de inversión en el modo (reproducción continua), la cinta es reproducida continuamente de ambos lados hasta que usted pare la operación.

**Notes:**  
Posicione la unidad sobre una superficie plana, de otra manera el portacassete podrá no abrirse cuando gire la perilla OPEN.  
No gire la perilla OPEN hasta que el mecanismo de la cinta haya dejado de moverse.  
Cuando no hay cinta colocada en la platina, la dirección de reproducción no puede ser invertida.

**Método para bobinado rápido de cintas**

- Presione el botón TAPE para activar el modo TAPE.
- Presione el botón (REW) o (FF).

Après chargement d'une cassette, appuyer simplement sur la touche TAPE. L'alimentation est mise sur marche et la bande commence la lecture. (Pour sélectionner le sens de lecture, appuyer sur la touche TAPE. Le changement de sens de déroulement peut être vérifié avec l'indicateur ( ou ) de sens de déroulement de la bande.) La reproduction en mode de lecture inverse ( o ) d'une seule face ou en mode de lecture d'une seule face ou ( lecture des deux faces ), la bande s'arrête automatiquement à la fin après avoir lu une face ou les deux. Lorsque le mode d'inversion est réglé sur le mode ( lecture continue ), la bande sera lue en continu une face après l'autre jusqu'à ce que vous arrêtez l'opération.

**Remarques:**  
Placer l'appareil sur une surface de niveau, sinon le portecassete peut ne pas s'ouvrir lorsque vous tournez le bouton OPEN.  
Ne pas tourner le bouton OPEN tant que le mouvement du mécanisme de la bande n'est pas arrêté.  
Quand il n'y a pas de bande chargée dans la platine, son sens de lecture ne peut pas être commuté.

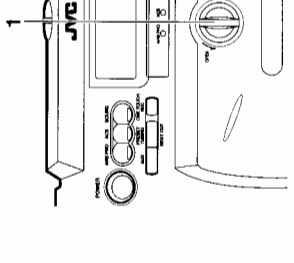
**Comment faire défiler rapidement des bandes**

- Appuyer sur la touche TAPE (pour passer en mode TAPE).
- Appuyer sur la touche (REW) ou (FF).

**USING WITH ANOTHER AUDIO UNIT**

**Operate in the order shown**

- When AC power is used (When battery power is used, switch on the power button first, then perform operation):

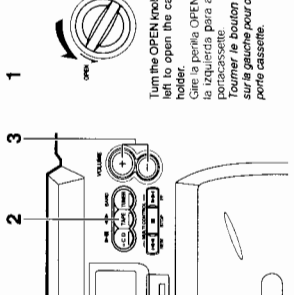


**1** Connect the audio unit, turntable, MD player, etc. to the AUX IN jack (see page 7).  
**2** Press the AUX button. (The power is switched on and the AUX mode is engaged.)  
**3** Start playback on the connected audio unit. (For more details, refer to the instruction manual of the connected audio unit.)  
**4** Adjust the volume. (The volume level is displayed in the display window.)

**EMPLO DE OTRA UNIDAD DE AUDIO**

**Operate in the order shown**

- Quando emplea alimentación de CA (Si la pila está agotada, conecte primero el botón de alimentación y luego ejecute la operación):

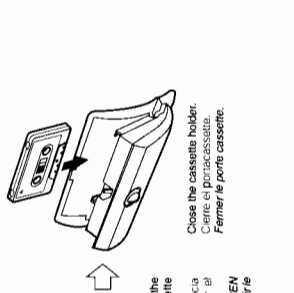


**1** Conecte la unidad de audio, tocadiscos, reproductor de MD, etc. al jack AUX IN (ver página 7).  
**2** Presione el botón AUX. (Se conecta la alimentación y se activa el modo AUX.)  
**3** Inicie la reproducción en la unidad de audio conectada. (Por más detalles referirse al manual de instrucción de la unidad de audio conectada.)  
**4** Ajuste el volumen. (El nivel de volumen es indicado en la ventanilla de indicación.)

**UTILISATION AVEC UN AUTRE APPAREIL AUDIO**

**Procéder dans l'ordre indiqué**

- Lorsque l'alimentation secteur est utilisée (Si l'énergie des piles est utilisée, commutier d'abord la touche d'alimentation, puis effectuer l'opération):



**1** Raccorder l'appareil audio, platine tourne-disque, lecteur MD, etc. à la prise AUX IN (voir page 7).  
**2** Appuyer sur la touche AUX. (L'alimentation est mise sur marche et le mode AUX est engagé.)  
**3** Commencer la lecture sur l'appareil audio raccordé. (Pour plus de détails, se référer au manuel d'instructions de l'appareil audio raccordé.)  
**4** Régler le volume. (Le niveau de volume est affiché dans la fenêtre d'affichage.)

**RADIO RECEPTION**

**Operate in the order shown**

- When AC power is used (When battery power is used, switch on the power button first, then perform operation).

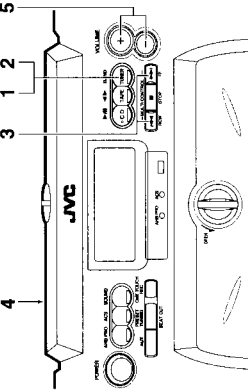
**RADIORRECEPCION**

**Operar en el orden mostrado**

- Cuando emplea alimentación de CA (Si la pila es utilizada, conecte primero el botón de alimentación y luego ejecute la operación).

**RECEPTION RADIO**

- Procéder dans l'ordre indiqué
- Lorsque l'alimentation secteur est utilisée (Si l'énergie des piles est utilisée, commutateur d'alimentation et puis exécute la opération).



1. Press the TUNER BAND button.
2. The power is switched on.
3. Select the band by pressing the TUNER BAND button.
4. Pressing this button switches between FM stereo, FM mono and AM.
5. Tune to the required station.
6. Seek tuning (auto tuning), and manual tuning are available (see below for details).
7. Adjust the antenna (see page 26).
8. Adjust the volume.

1. Appuyez sur la touche TUNER BAND.
2. L'alimentation est mise en marche.
3. Sélectionner la gamme en appuyant sur la touche TUNER BAND.
4. Des pressions sur cette touche font la commutation entre FM stéréo, FM mono et AM.
5. Sintoniser la station voulue.
6. La sintonisation par recherche (sintonisation automatique) et la sintonisation manuelle sont disponibles (voir ci-dessous pour des détails).
7. Ajuster l'antenne (voir page 26).
8. Ajuster le volume.

**To listen to an FM stereo broadcast**

**FM estereo**  
Set to this position by pressing the TUNER BAND button when listening to or recording an FM stereo broadcast. The "STEREO" indicator is lit in the display window, and the FM broadcast can be heard in stereo.  
**FM mono**  
Set to this position by pressing the TUNER BAND button if FM stereo reception is noisy. The "MONO" indicator is lit and the sound becomes monaural, but the reception will be improved. When another station is tuned to in this mode, the "MONO" indicator goes off and the unit returns to FM stereo automatically.  
**Note:**  
AM broadcasts are monaural.

**Para escuchar un programa estereofónico de FM**

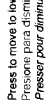
**FM estereo**  
Ajuste en esta posición presionando el botón TUNER BAND cuando escucha o graba un programa de transmisión de radio FM estereofónica. El indicador "STEREO" se enciende en la ventanilla de indicación y se escucha la radiodifusión estereofónica.  
**FM mono**  
Ajuste en esta posición presionando el botón TUNER BAND si la recepción de FM estereofónica tiene ruido. El indicador "MONO" se enciende y el sonido se vuelve monofónico. Cuando se sintonice otra estación en este modo, el indicador "MONO" se apagará y la unidad vuelve automáticamente a FM estereo.  
**Note:**  
Los programas en AM son monofónicos.

**Seek tuning (auto tuning)**

Press the ◀ or ▶ button for one second or more. The unit enters the seek tuning mode to tune in the nearest station automatically, so the broadcast can be heard.

**Manual tuning**

Each time the ◀ or ▶ button is pressed, the unit steps through the current frequency band. Tuning is done in steps of 100 kHz for FM and 10 kHz for AM.

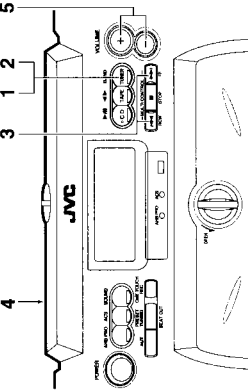


Press to move to lower frequencies.  
Press to move to higher frequencies.  
Presser pour diminuer la fréquence.  
Presser pour augmenter la fréquence.

**RADIORRECEPCION**

**Operar en el orden mostrado**

- Cuando emplea alimentación de CA (Si la pila es utilizada, conecte primero el botón de alimentación y luego ejecute la operación).



1. Presione el botón TUNER BAND.
2. Se conectará a alimentación.
3. Seleccione la banda presionando el botón TUNER BAND.
4. El presionar este botón conmuta entre FM estereo, FM mono y AM.
5. Sintonice la estación deseada.
6. La búsqueda de sintonía (sintonización automática) y la sintonización manual están disponibles (por detalles ver abajo).
7. Ajuste la antena (ver página 26).
8. Ajuste el volumen.

1. Appuyez sur la touche TUNER BAND.
2. L'alimentation est mise en marche.
3. Sélectionner la gamme en appuyant sur la touche TUNER BAND.
4. Des pressions sur cette touche font la commutation entre FM stéréo, FM mono et AM.
5. Sintoniser la station voulue.
6. La sintonisation par recherche (sintonisation automatique) et la sintonisation manuelle sont disponibles (voir ci-dessous pour des détails).
7. Ajuster l'antenne (voir page 26).
8. Ajuster le volume.

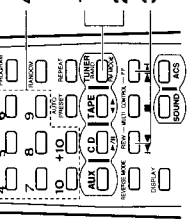
**Pour écouter une émission stéréo FM**

**FM stéréo**  
Régler sur cette position en appuyant sur la touche TUNER BAND lorsque vous écoutez un programme de transmission de radio FM stéréo. L'indicateur "STEREO" est allumé dans la fenêtre d'affichage, et l'émission FM peut être entendue en stéréo.  
**FM mono**  
Régler sur cette position en appuyant sur la touche TUNER BAND si la réception stéréo FM est bruyée. L'indicateur "MONO" est allumé et le son devient monophonique, mais la réception sera améliorée. Si une autre émission est sintonisée dans ce mode, l'appareil revient automatiquement en mode FM stéréo.  
**Remarque:**  
Les émissions AM sont monophoniques.

**Presetting the desired stations (using the remote control unit)**

30 stations in the FM band and 15 stations in the AM band can be preset as follows:

- Example: (Presetting FM stereo broadcasting at 103.5 MHz to preset button "15")



1. Press the TUNER BAND/FM MODE button.
2. Set the FM band using the TUNER BAND/FM MODE button.
3. Tune to the required station.
4. Press preset button "10", then "5" for more than 2 sec.
5. When "15" blinks in the preset station display, the station has been stored.

- Repeat the previous procedure for each of the other stations, using a different preset button each time.
- Repeat the previous procedure for the other band.

**To change preset stations**

Perform step 4 after tuning to the required station.

**Notes:**

- The previously stored station is erased when a new station is stored, because the new station's frequency in memory replaces the previous station's frequency in memory.
- When listening to AM broadcast, noise may be heard if the remote control unit is used.

**Notes:**

- Cuando la búsqueda de sintonía de la estación deseada no es posible debido a que la señal de radiodifusión es demasiado débil, presione el botón ◀ o ▶ para efectuar la sintonización manual.
- Cuando se solicita la alimentación en espera, se selecciona otro modo (TAPE o CD), la última frecuencia sintonizada es almacenada en memoria. Cuando conecta la alimentación otra vez y presiona el botón TUNER BAND, la unidad sintoniza la misma estación.

**Sintonización programada automática**

Esta función busca la banda actual, detectando las frecuencias usadas para señales de radiodifusión y almacena las primeras 30 frecuencias de FM y 15 frecuencias de AM en memoria automáticamente.

- (Empleando la unidad principal)  
Presione el botón PRESET TUNING durante 2 segundos.
- (Empleando el control remoto)  
Presione el botón AUTO PRESET.

Las frecuencias de las estaciones que están radiodifundiendo pueden ser automáticamente almacenadas en memoria en orden de frecuencias crecientes (30 estaciones en la banda de FM y 15 estaciones en la banda de AM).

**Selección de las radiodifusoras deseadas (utilizando la unidad de control remoto)**

Es posible presintonizar 30 estaciones en la banda de FM y 15 estaciones en la banda de AM de la siguiente forma:

- Ejemplo: (Presintonización de la radiodifusión de una estación de FM en 103.5 MHz en el botón "15" de presintonización)



1. Presione el botón TUNER BAND/FM MODE.
2. Seleccione la banda FM utilizando el botón TUNER BAND/FM MODE.
3. Sintonice la estación deseada.
4. Presione el botón "10" de presintonización y luego el "5" durante más de 2 segundos. (Cuando el "15" parpadea en la indicación de estación presintonizada, ésta ha sido registrada.)

- Repita el procedimiento anterior para cada una de las otras estaciones, utilizando un botón de presintonización diferente para cada una.
- Repita el procedimiento anterior para la otra gama.

**Cambio de estaciones presintonizadas**

Ejecute el paso 4 de arriba después de sintonizar la estación deseada.

**Notes:**

- La estación previamente almacenada se borra cuando se almacena otra estación, ya que la frecuencia de la nueva estación reemplaza la frecuencia anterior de AM.
- Cuando escucha una radiodifusión de AM, es posible que se escuche ruido si se utiliza la unidad de control remoto.

**Remarques:**

- Lorsque la sintonisation par recherche de la station voulue n'est pas possible parce que le signal de diffusion est trop faible, appuyez momentanément sur la touche ◀ ou ▶ pour effectuer la sintonisation manuelle.
- Lorsque l'alimentation est réglée sur en attente, ou si un autre mode (TAPE ou CD) est sélectionné, la dernière fréquence sintonisée est mémorisée. Quand l'alimentation est remise sur marche et que la touche TUNER BAND est pressée, la même station sera sintonisée.

**Sintonisation automatique des pré-réglés**

Cette fonction balais la gamme courante, détectant les fréquences utilisées par les signaux d'émission, et met automatiquement les 30 premières fréquences FM et les 15 premières fréquences AM en mémoire.

- (En utilisant l'appareil principal)  
Appuyez sur la touche PRESET TUNING pendant 2 secondes.
- (En utilisant le télécommande)  
Appuyez sur la touche AUTO PRESET.

Les fréquences de stations diffusant des signaux sont mises en mémoire automatiquement dans l'ordre des fréquences ascendantes (30 stations dans la gamme FM et 15 stations dans la gamme AM).

**Pré-réglage des stations désirées (en utilisant la télécommande)**

30 stations dans la gamme FM et 15 stations dans la gamme AM peuvent être pré-réglées comme suit:

- Exemple: (Pour pré-régler une émission d'une station FM sur 103.5 MHz sur la touche de pré-réglage "15")

1. Appuyez sur la touche TUNER BAND/FM MODE.
2. Sélectionnez la gamme FM avec la touche TUNER BAND/FM MODE.
3. Sintonisez la station voulue.
4. Pressez la touche de pré-réglage "10", puis "5" pendant plus de 2 secondes. (Quand "15" clignote dans l'affichage de station pré-réglée, la station a été pré-réglée.)

- Répétez la procédure précédente pour chacune des autres stations, en utilisant une touche de pré-réglage différente à chaque fois.
- Répétez la procédure précédente pour l'autre gamme.

**Pour changer les stations pré-réglées**

Effectuez l'étape 4 ci-dessus après avoir sintonisé la station voulue.

**Remarques:**

- La station pré-réglée précédente est effacée quand une nouvelle station est pré-réglée car la fréquence de la nouvelle station remplace la fréquence de la station précédente.
- Lors de l'écoute d'une émission AM, du bruit peut être entendu si la télécommande est utilisée.

**RECORDING**

**GRABACION**

**ENREGISTREMENT**

To prevent the preset stations from being erased because of a power failure, etc., install memory back-up batteries in the unit (see page 8).

**Preset station tuning (Receiving the preset stations)**

- The stations must be preset before this operation can be performed.

**(Using the main unit)**

- 1 Press the TUNER BAND button.
- 2 Select the band using the TUNER BAND button.
- 3 Each time the PRESET TUNING button is pressed, the next preset station is selected.

**(Using the remote control unit)**

- 1 Press the TUNER BAND/FM MODE button.
  - 2 Select the band using the TUNER BAND/FM MODE button.
  - 3 Press the required preset station buttons (No. 1 - No. 10 and +10).
- The preset station number and frequency corresponding to the button pressed are shown.

Para evitar que las estaciones presintonizadas se borren debido a un corte de energía eléctrica, etc., coloque las pilas para apoyo de memoria en la unidad (ver página 8).

**Presintonización de radiodifusoras (Recepción de radiodifusoras presintonizadas)**

- Las estaciones deben ser presintonizadas antes de que se pueda ejecutar esta operación.

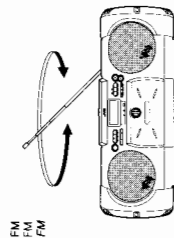
**(Empleando la unidad principal)**

- 1 Presione el botón TUNER BAND.
- 2 Seleccione la banda empujando el botón TUNER BAND.
- 3 Cada vez que presiona el botón PRESET TUNING, queda seleccionada la próxima estación presintonizada.

**(Utilizando la unidad de control remoto)**

- 1 Presione el botón TUNER BAND/FM MODE.
  - 2 Seleccione la banda utilizando el botón TUNER BAND/FM MODE.
  - 3 Presione los botones de las estaciones presintonizadas deseadas (No. 1, No. 10 y +10).
- En el visor aparecen el número de estación presintonizada y la frecuencia correspondiente al botón presionado.

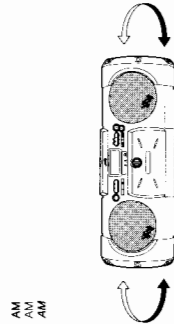
**Using the antennas**



- FM:** Adjust the telescopic antenna's length, angle and direction until optimum reception is received.
- AM:** Install the unit where suitable reception is possible (beside a window, etc.) or change the direction of the unit.

**Note:** The built-in ferrite core antenna can pick up interference from television receivers in the neighborhood and thereby disturb AM reception.

**Utilización de antenas**



- FM:** Ajuste la longitud de la antena telescópica, el ángulo y la orientación hasta que logre la recepción óptima.
- AM:** Instale la unidad donde la recepción sea adecuada (cerca de una ventana, etc.) o cambie la orientación de la unidad.

**Note:** El núcleo incorporado de la antena de ferrita puede captar interferencia de receptores de televisión de la vecindad y disturbando la recepción de AM.

**Utilisation des antennes**

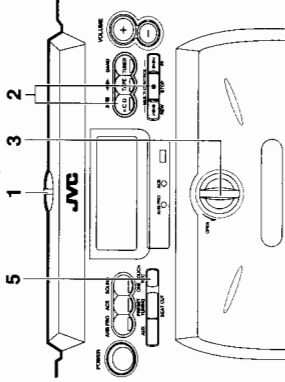
- During recording, the ALC (Automatic Level Control) circuit automatically optimizes the recording level, so manual recording level adjustment is unnecessary.
- Check that the safety tab on the cassette tape is not broken off.

**Note:** This unit has recording characteristics suitable for normal and CrO<sub>2</sub> tapes. Normal and CrO<sub>2</sub> tapes have different characteristics from metal tapes.

**Synchronized recording with the CD player**

- In this system, the CD player starts play when the cassette deck enters the recording mode.

**Operate in the order shown**



- 1 Load a CD and close the CD door.
- 2 Press the CD door button to change the CD mode, then press the STOP button to enter the stop mode.
- 3 Load a cassette with side A facing out (Wind past the tape leader before starting recording).
- 4 Make sure the tape direction is set to (forward direction).
- 5 Select the required reverse mode (← or →) using the remote control unit.

- When programmed play is required, remote control (See page 22) using the does not exceed the tape length (refer to the liner notes).
- Press the ONE TOUCH REC button; synchronized recording will start.
- Recording starts in the forward direction and CD play starts automatically.
- The forward direction indicator (▶) blinks and the REC indicator lights up in the display window.

- Non-recorded sections of approx. 4 seconds are automatically left between tunes.
- When the CD player stops, the tape deck stops automatically.
- To stop recording in the middle, press the STOP button. The cassette deck also stops after 4 seconds.

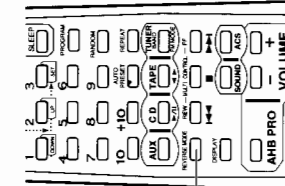
- Durante la grabación, el circuito ALC (control automático de nivel) optimiza automáticamente el nivel de grabación, por lo que no es necesario el ajuste manual del nivel de grabación.
- Verifique que la lengüeta de seguridad del cassette de cinta no esté rota.

**Note:** Esta unidad posee características de grabación adecuadas para cintas normales y de CrO<sub>2</sub>. Las cintas normales y de CrO<sub>2</sub> tienen características diferentes que las cintas de metal.

**Grabación sincronizada con el reproductor de CD**

- En este sistema, el reproductor de CD inicia la reproducción cuando la platina de cassette ingresa en el modo de grabación.

**Opere en el orden mostrado**



- 1 Coloque un CD y cierre la puerta del CD.
- 2 Presione el botón de la puerta del CD para cambiar el modo de CD, luego presione el botón STOP para activar el modo de parada.
- 3 Coloque un cassette con el lado A apuntando hacia afuera. (Bobine la porción que no puede ser grabada antes de iniciar la grabación).
- 4 Asegúrese de colocar el sentido de la cinta en ▶ (hacia adelante).
- 5 Seleccione el modo de inversión deseado (← o →) utilizando la unidad del control remoto.

- Cuando desee la reproducción programada, utilice las pilas remotas deseadas, utilizando el controlador remoto. (Ver página 22)
- Seleccione las pilas con un tiempo total de reproducción que no exceda la longitud de la cinta (refiérase a las notas en la envoltura).
- Al presionar el botón ONE TOUCH REC, se inicia la grabación sincronizada.
- La grabación se inicia hacia adelante y se deja automáticamente la reproducción del CD.
- El indicador de transporte de cinta hacia adelante (▶) destella y se enciende el indicador REC en la ventanilla de indicación.

- En la cinta quedan automáticamente sin grabar secciones de 4 segundos aprox. . .
- Cuando el reproductor de CD para la platina automáticamente, la cinta de la grabadora también se detiene automáticamente.
- Para detener la grabación en el medio, presione el botón STOP. La platina de cassette se detiene también para, después de transcurridos 4 segundos.

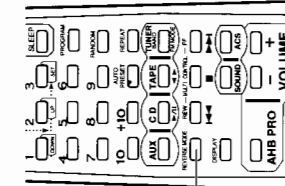
- En enregistrement, le circuit ALC (commande de niveau automatique) optimise automatiquement le niveau d'enregistrement, ainsi l'ajustement du niveau d'enregistrement n'est pas nécessaire.
- Vérifier que la languette de sécurité de la cassette n'est pas brisée.

**Remarque:** Cet appareil a des caractéristiques d'enregistrement adaptées pour les bandes normales et CrO<sub>2</sub>. Les bandes normales ont des caractéristiques différentes des bandes métal.

**Enregistrement synchronisé avec le lecteur CD**

- Dans ce système, le lecteur CD commence la lecture quand la platine à cassette passe en mode d'enregistrement.

**Procéder dans l'ordre indiqué**



- 1 Chargez un CD et fermez le volet CD.
- 2 Appuyez sur le bouton de la porte du CD pour changer le mode de CD, puis appuyez sur le bouton STOP pour passer en mode d'arrêt.
- 3 Chargez une cassette avec la face A l'envers. (Passer la bande amorcée avant de lancer l'enregistrement).
- 4 Sélectionner le mode d'inversion requis (← ou →) en utilisant la télécommande.

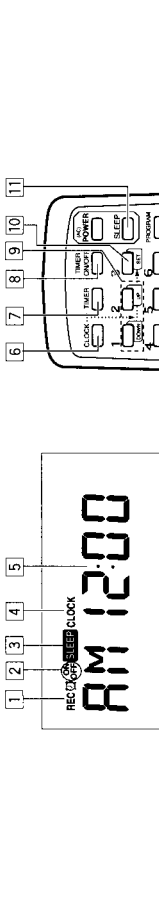
- S'assurer que le sens de défillement de la bande est réglé sur ▶ (sens avant).
- Lorsque la lecture programmée est requise, programmer les piles requises en utilisant la télécommande. (Voir page 22)
- Sélectionner les piles avec une durée de lecture totale qui n'exécède pas la longueur de la bande (se référer aux remarques accompagnant la cassette).
- 5 Appuyez sur la touche ONE TOUCH REC; l'enregistrement synchronisé commencera.
- L'enregistrement commence dans le sens avant et la lecture CD commence automatiquement.
- Lorsque le lecteur CD s'arrête, l'indicateur REC s'allume dans la fenêtre d'affichage.

- Des sections non enregistrées d'environ 4 secondes seront automatiquement laissées entre les morceaux.
- Lorsque le lecteur CD s'arrête, la platine s'arrête automatiquement.
- Pour arrêter l'enregistrement dans le milieu, appuyez sur la touche STOP. La platine à cassette s'arrête également au bout de 4 secondes.



**CLOCK ADJUSTMENT (USING THE REMOTE CONTROL UNIT)**

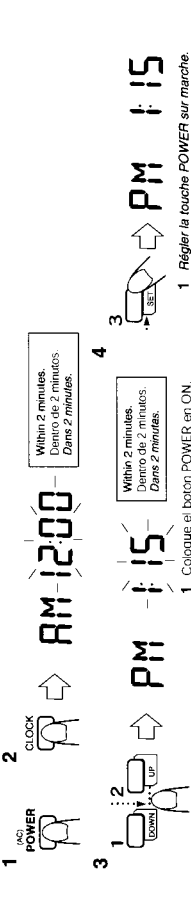
Names of parts in the clock/timer section, and their functions:



- 1 Timer mode indicator
- 2 Sleep indicator (ON/OFF)
- 3 Indicator of sleep (SLEEP)
- 4 Clock indicator
- 5 Time display
- 6 Clock button
- 7 Timer button
- 8 TIMER ON/OFF button
- 9 DOWN/UP buttons
- 10 SET button
- 11 SLEEP button

**Setting the current time (when this unit is used for the first time)**

(Example: To set the clock to PM 1:15.)



- 1 Set the POWER button to ON.
- 2 Press the CLOCK button. "RH 12:00" will blink in the display.
- 3 Set to PM 1:15 by pressing the DOWN/UP buttons. (When the button is kept pressed, the minute/hour indication changes continuously.)
- 4 Press the SET button; the time will light in the display.

- Each time the hour's digits change from 11 to 12, the display alternates between AM and PM. (12 midnight is indicated as "AM 12:00" and 12 noon is indicated as "PM 12:00".)
- To set to the nearest second... Press the SET button when you hear the time signal from a TV or radio.

- To confirm the time while listening to a CD or radio broadcast... Press the DISPLAY button briefly on the remote control unit. Press it again to return to the previous display.

**Notes:**

- Before performing timer recording or playback, it is necessary to set the current time.
- If memory back-up batteries are exhausted or not installed, and the power cord is plugged in again after being disconnected, the power is restored to the previous time. The power will blink in the display. Set the current time again.

**OPERACIONES POR TEMPORIZADOR (UTILIZANDO LA UNIDAD DE CONTROL REMOTO)**

Setting the timer

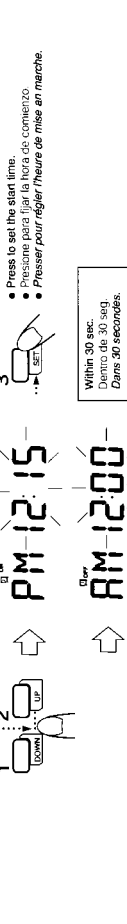
• The current time must be set before the timer can be used.

- 1 Set the POWER button to ON.
- 2 Press the TIMER button.



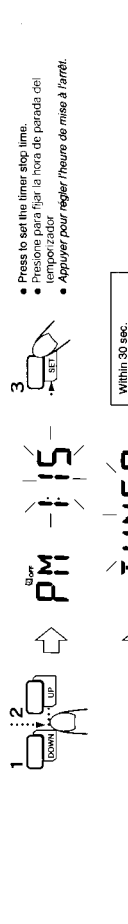
• Within 30 sec. Dentro de 30 seg. Dans 30 secondes.

- 3 Set the start time. (Example: To set the timer to PM 12:15.)



• Within 30 sec. Dentro de 30 seg. Dans 30 secondes.

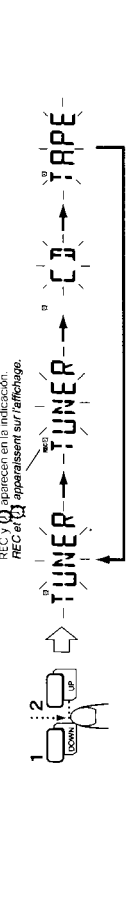
- 4 Set the stop time. (Example: To set the timer stop time to 1:15.)



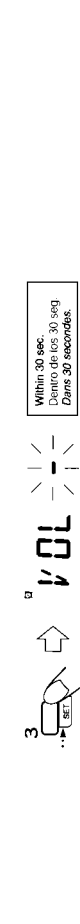
• Within 30 sec. Dentro de 30 seg. Dans 30 secondes.

- 5 Select the TIMER mode.

• The selected timer mode is shown in the display.



REC and CD appears on the display. REC y CD aparecen en la indicación. REC et CD apparaissent sur l'affichage.



• Within 30 sec. Dentro de 30 seg. Dans 30 secondes.

**FUNCTIONNEMENT DE LA MINUTERIE (EN UTILISANT LA TELECOMMANDE)**

Réglage de la minuterie

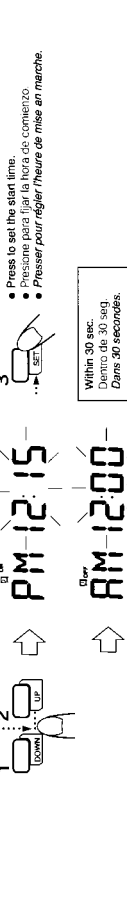
• L'heure courante doit d'abord être réglée pour pouvoir utiliser la minuterie.

- 1 Colocque el botón de POWER en ON.
- 2 Appuyer sur la touche TIMER.



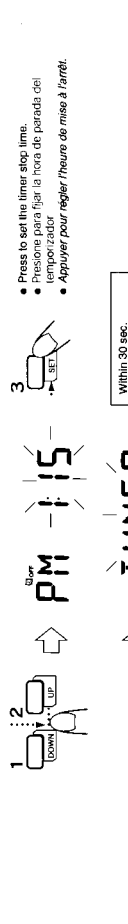
• Within 30 sec. Dentro de 30 seg. Dans 30 secondes.

- 3 Réglér l'heure de mise en marche. (Exemple: Pour régler la minuterie sur PM 12:15.)



• Within 30 sec. Dentro de 30 seg. Dans 30 secondes.

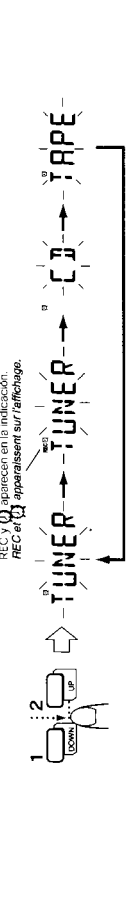
- 4 Réglér l'heure de mise à l'arrêt. (Exemple: Pour régler la minuterie sur PM 1:15.)



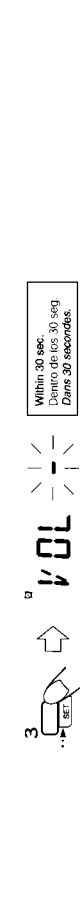
• Within 30 sec. Dentro de 30 seg. Dans 30 secondes.

- 5 Sélectionner le mode TIMER.

• Le mode de minuterie sélectionné est montré dans l'affichage.



REC and CD appears on the display. REC y CD aparecen en la indicación. REC et CD apparaissent sur l'affichage.



• Within 30 sec. Dentro de 30 seg. Dans 30 secondes.

**REGLAGE DE L'HORLOGE (EN UTILISANT LA TELECOMMANDE)**

Noms des pièces dans la section horloge/minuterie, et leurs fonctions:



- 1 Indicateur de mode de minuterie (OFF)
- 2 Indicateur de marche/arrêt de minuterie (ON/OFF)
- 3 Indicateur de sommeil (SLEEP)
- 4 Indicateur d'horloge (CLOCK)
- 5 Affichage de l'heure
- 6 Touche CLOCK
- 7 Touche TIMER ON/OFF
- 8 Touche DOWN/UP
- 9 Touche SET
- 10 Touche SLEEP

**Réglage de l'heure actuelle (quand cet appareil est utilisé pour la première fois)**

(Exemple: Pour régler l'horloge à PM 1:15.)



- 1 Régler la touche POWER sur marche.
- 2 Appuyer sur la touche CLOCK. "RH 12:00" clignotera dans l'affichage.
- 3 Régler sur PM 1:15 en pressant les touches DOWN/UP. (Si maintient le bouton pressé, l'indication des minutes/heures évolue en continu.)
- 4 Appuyer sur la touche SET. L'heure sera allumée dans l'affichage.

- Chaque fois que les chiffres des heures passent de 11 à 12, l'affichage alterne entre AM et PM. (Minuit est indiqué sous la forme "AM 12:00" et midi sous la forme "PM 12:00".)
- Pour régler à la seconde près... Appuyer sur la touche SET au moment d'un signal horaire de la télévision ou de la radio.

- Pour confirmer l'heure tout en écoutant un CD ou une émission radio... Appuyer brièvement sur la touche DISPLAY de la télécommande. La presseur de nouveau pour revenir à l'affichage précédent.

**Remarques:**

- Avant d'effectuer l'enregistrement ou la lecture par minuterie, il est nécessaire de régler l'heure actuelle.
- Si les piles de soutien mémoire sont épuisées ou non installées, et que le cordon d'alimentation est rebranché après avoir été débranché, ou si l'alimentation est restituée après une panne de courant, "CLOCK" clignotera dans l'affichage. Régler de nouveau l'heure courante.

**OPERACIONES POR TEMPORIZADOR (UTILIZANDO LA UNIDAD DE CONTROL REMOTO)**

Setting the timer

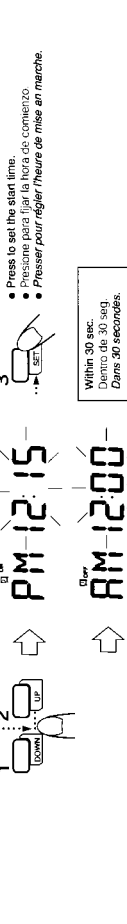
• Antes de utilizar el temporizador es necesario ajustar la hora actual.

- 1 Coloque el botón de POWER en ON.
- 2 Presione el botón TIMER.



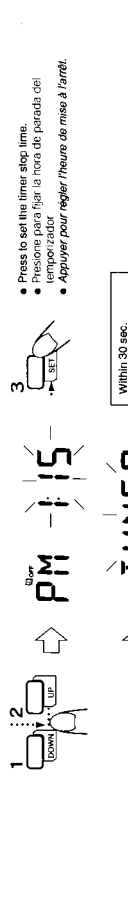
• Within 30 sec. Dentro de 30 seg. Dans 30 secondes.

- 3 Ajuste el tiempo de inicio. (Ejemplo: Para ajustar el temporizador a las 12:15 PM.)



• Within 30 sec. Dentro de 30 seg. Dans 30 segundos.

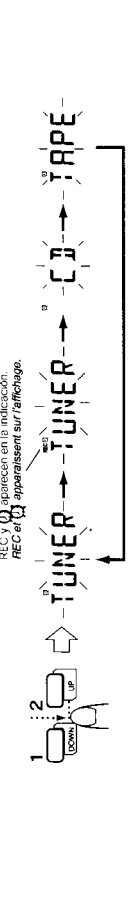
- 4 Ajuste la hora de parada. (Ejemplo: Para ajustar la hora de parada del temporizador a las 1:15 PM.)



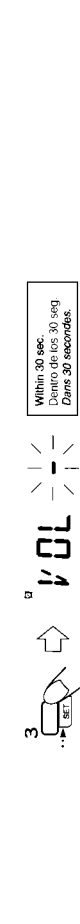
• Within 30 sec. Dentro de 30 seg. Dans 30 segundos.

- 5 Seleccione el modo TIMER.

• El modo de temporizador seleccionado aparece en la indicación.



REC and CD appears on the display. REC y CD aparecen en la indicación. REC et CD apparaissent sur l'affichage.



• Within 30 sec. Dentro de 30 seg. Dans 30 secondes.

**OPERACIONES POR TEMPORIZADOR (UTILIZANDO LA UNIDAD DE CONTROL REMOTO)**

Setting the timer

• Antes de utilizar el temporizador es necesario ajustar la hora actual.

- 1 Coloque el botón de POWER en ON.
- 2 Presione el botón TIMER.



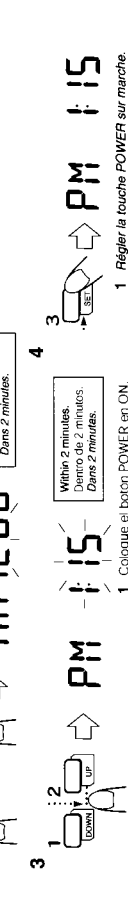
• Within 30 sec. Dentro de 30 seg. Dans 30 secondes.

- 3 Ajuste el tiempo de inicio. (Ejemplo: Para ajustar el temporizador a las 12:15 PM.)



• Within 30 sec. Dentro de 30 seg. Dans 30 segundos.

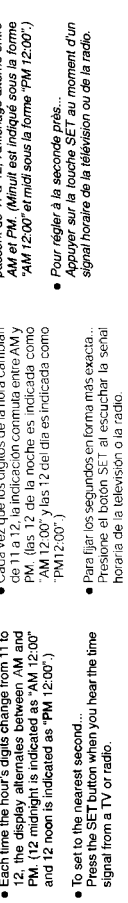
- 4 Ajuste la hora de parada. (Ejemplo: Para ajustar la hora de parada del temporizador a las 1:15 PM.)



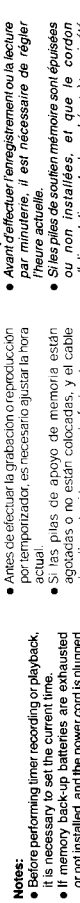
• Within 30 sec. Dentro de 30 seg. Dans 30 segundos.

- 5 Seleccione el modo TIMER.

• El modo de temporizador seleccionado aparece en la indicación.



REC and CD appears on the display. REC y CD aparecen en la indicación. REC et CD apparaissent sur l'affichage.



• Within 30 sec. Dentro de 30 seg. Dans 30 secondes.

**OPERACIONES POR TEMPORIZADOR (UTILIZANDO LA UNIDAD DE CONTROL REMOTO)**

Setting the timer

• Antes de utilizar el temporizador es necesario ajustar la hora actual.

- 1 Coloque el botón de POWER en ON.
- 2 Presione el botón TIMER.



• Within 30 sec. Dentro de 30 seg. Dans 30 secondes.

- 3 Ajuste el tiempo de inicio. (Ejemplo: Para ajustar el temporizador a las 12:15 PM.)



• Within 30 sec. Dentro de 30 seg. Dans 30 segundos.

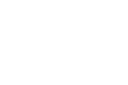
- 4 Ajuste la hora de parada. (Ejemplo: Para ajustar la hora de parada del temporizador a las 1:15 PM.)



• Within 30 sec. Dentro de 30 seg. Dans 30 segundos.

- 5 Seleccione el modo TIMER.

• El modo de temporizador seleccionado aparece en la indicación.



REC and CD appears on the display. REC y CD aparecen en la indicación. REC et CD apparaissent sur l'affichage.



• Within 30 sec. Dentro de 30 seg. Dans 30 secondes.

**OPERACIONES POR TEMPORIZADOR (UTILIZANDO LA UNIDAD DE CONTROL REMOTO)**

Setting the timer

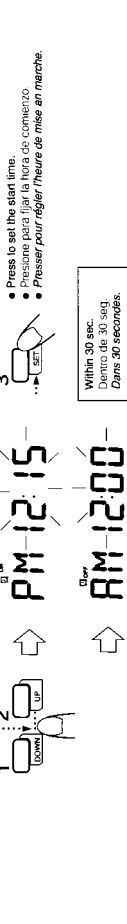
• Antes de utilizar el temporizador es necesario ajustar la hora actual.

- 1 Coloque el botón de POWER en ON.
- 2 Presione el botón TIMER.



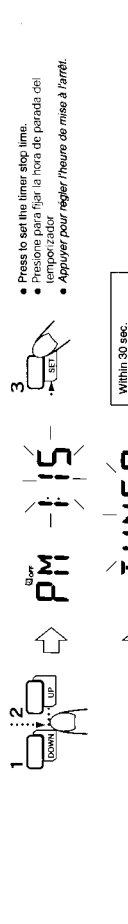
• Within 30 sec. Dentro de 30 seg. Dans 30 secondes.

- 3 Ajuste el tiempo de inicio. (Ejemplo: Para ajustar el temporizador a las 12:15 PM.)



• Within 30 sec. Dentro de 30 seg. Dans 30 segundos.

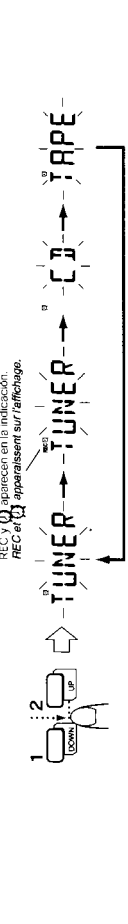
- 4 Ajuste la hora de parada. (Ejemplo: Para ajustar la hora de parada del temporizador a las 1:15 PM.)



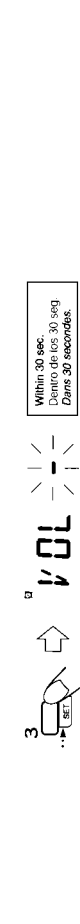
• Within 30 sec. Dentro de 30 seg. Dans 30 segundos.

- 5 Seleccione el modo TIMER.

• El modo de temporizador seleccionado aparece en la indicación.



REC and CD appears on the display. REC y CD aparecen en la indicación. REC et CD apparaissent sur l'affichage.



• Within 30 sec. Dentro de 30 seg. Dans 30 secondes.

**OPERACIONES POR TEMPORIZADOR (UTILIZANDO LA UNIDAD DE CONTROL REMOTO)**

Setting the timer

• Antes de utilizar el temporizador es necesario ajustar la hora actual.

- 1 Coloque el botón de POWER en ON.
- 2 Presione el botón TIMER.



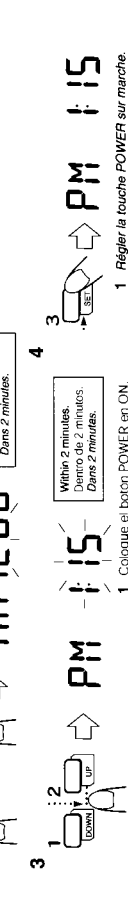
• Within 30 sec. Dentro de 30 seg. Dans 30 secondes.

- 3 Ajuste el tiempo de inicio. (Ejemplo: Para ajustar el temporizador a las 12:15 PM.)



• Within 30 sec. Dentro de 30 seg. Dans 30 segundos.

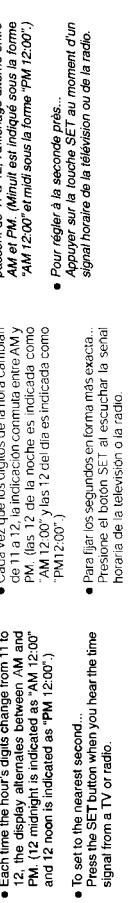
- 4 Ajuste la hora de parada. (Ejemplo: Para ajustar la hora de parada del temporizador a las 1:15 PM.)



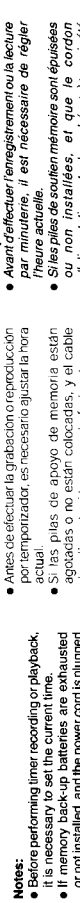
• Within 30 sec. Dentro de 30 seg. Dans 30 segundos.

- 5 Seleccione el modo TIMER.

• El modo de temporizador seleccionado aparece en la indicación.



REC and CD appears on the display. REC y CD aparecen en la indicación. REC et CD apparaissent sur l'affichage.



• Within 30 sec. Dentro de 30 seg. Dans 30 secondes.

**OPERACIONES POR TEMPORIZADOR (UTILIZANDO LA UNIDAD DE CONTROL REMOTO)**

Setting the timer

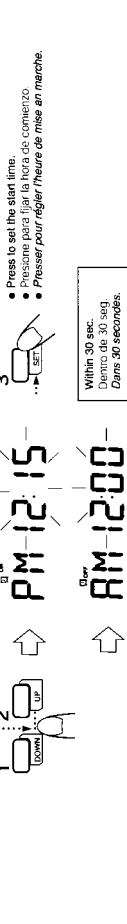
• Antes de utilizar el temporizador es necesario ajustar la hora actual.

- 1 Coloque el botón de POWER en ON.
- 2 Presione el botón TIMER.



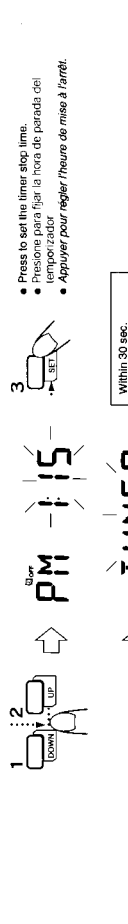
• Within 30 sec. Dentro de 30 seg. Dans 30 secondes.

- 3 Ajuste el tiempo de inicio. (Ejemplo: Para ajustar el temporizador a las 12:15 PM.)



• Within 30 sec. Dentro de 30 seg. Dans 30 segundos.

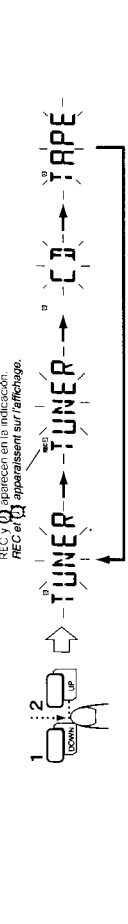
- 4 Ajuste la hora de parada. (Ejemplo: Para ajustar la hora de parada del temporizador a las 1:15 PM.)



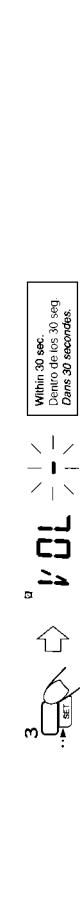
• Within 30 sec. Dentro de 30 seg. Dans 30 segundos.

- 5 Seleccione el modo TIMER.

• El modo de temporizador seleccionado aparece en la indicación.



REC and CD appears on the display. REC y CD aparecen en la indicación. REC et CD apparaissent sur l'affichage.



• Within 30 sec. Dentro de 30 seg. Dans 30 secondes.

**OPERACIONES POR TEMPORIZADOR (UTILIZANDO LA UNIDAD DE CONTROL REMOTO)**

Setting the timer

• Antes de utilizar el temporizador es necesario ajustar la hora actual.

- 1 Coloque el botón de POWER en ON.
- 2 Presione el botón TIMER.



• Within 30 sec. Dentro de 30 seg. Dans 30 secondes.

- 3 Ajuste el tiempo de inicio. (Ejemplo: Para ajustar el temporizador a las 12:15 PM.)



• Within 30 sec. Dentro de 30 seg. Dans 30 segundos.

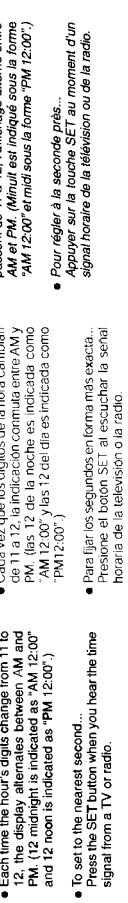
- 4 Ajuste la hora de parada. (Ejemplo: Para ajustar la hora de parada del temporizador a las 1:15 PM.)



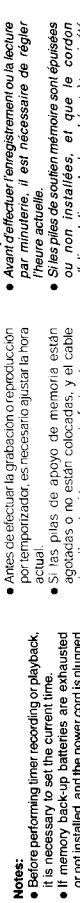
• Within 30 sec. Dentro de 30 seg. Dans 30 segundos.

- 5 Seleccione el modo TIMER.

• El modo de temporizador seleccionado aparece en la indicación.



REC and CD appears on the display. REC y CD aparecen en la indicación. REC et CD apparaissent sur l'affichage.



• Within 30 sec. Dentro de 30 seg. Dans 30 secondes.

**OPERACIONES POR TEMPORIZADOR (UTILIZANDO LA UNIDAD DE CONTROL REMOTO)**

Setting the timer

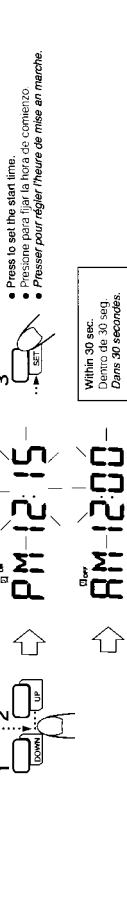
• Antes de utilizar el temporizador es necesario ajustar la hora actual.

- 1 Coloque el botón de POWER en ON.
- 2 Presione el botón TIMER.



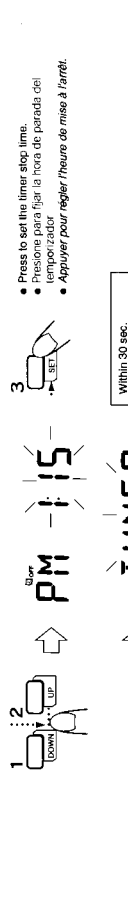
• Within 30 sec. Dentro de 30 seg. Dans 30 secondes.

- 3 Ajuste el tiempo de inicio. (Ejemplo: Para ajustar el temporizador a las 12:15 PM.)



• Within 30 sec. Dentro de 30 seg. Dans 30 segundos.

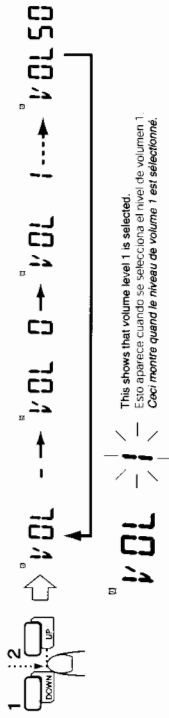
- 4 Ajuste la hora de parada. (Ejemplo: Para ajustar la hora de parada del temporizador a las 1:15 PM.)



• Within 30 sec. Dentro de 30 seg. Dans 30 segundos.

- 5 Seleccione

6. Ajuste el volumen.



This shows that volume level 1 is selected.  
 Esto aparece cuando se selecciona el nivel de volumen 1.  
 Ceci montre quand le niveau de volume 1 est sélectionné.

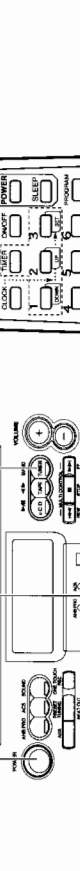
- When the volume setting is set to "VOL" (volume levels not specified), the timer playback volume is at the level used before setting the timer.
- Si se ajusta el volumen en "VOL" (no se especifica el nivel de volumen), el volumen de la reproducción por temporizador permanece al nivel utilizado antes de ajustar el temporizador.
- **Comprobación del ajuste del temporizador**  
 1. Presione el botón SET después de presionar el botón TIMER.  
 El ajuste del temporizador puede ser confirmado al presionar el botón SET.  
 2. Cuando se activa el modo anterior, el ajuste del temporizador queda completado.

**Notes:**  
 • When the timer is set incorrectly or the correct mode is not selected, perform "Setting the timer" from the beginning.  
 • Si la minuterie está mal réglée ou si le mode correct n'est pas sélectionné, effectuer "Réglage de la minuterie" à partir du début.

- **Grabación por temporizador de una radiodifusión**  
 • Antes de utilizar el temporizador es necesario ajustar la hora actual.  
 • Asegúrese de que las lengüetas de protección de la cinta de la cassette no están rotas.

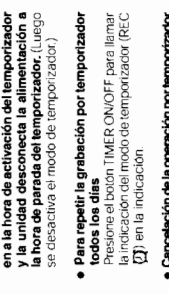
**Operaciones**

- 1 Coloque el botón POWER en ON.
- 2 Coloque la cassette con la cara a ser grabada apuntando hacia afuera.
- 3 Seleccione el modo de inversión deseado (← or →).
- 4 Ajuste el sentido de la cinta en (hacia adelante) presionando el botón TAPE (hacia atrás) presionando el botón TAPE (Ajuste el temporizador). (Referirse a la página 33)
- 5 Ajuste el temporizador a un minuto aproximadamente antes del comienzo programado de la radiodifusión a ser grabada.
- 6 Síntonice la estación a ser grabada. (Referirse a la página 26)
- 7 Presione el botón POWER en espera.
- 8 Confirme que el indicador del modo temporizador (REC) está indicado en la ventanilla de indicación.



- 1 Regler la touche POWER sur marche.
- 2 Régler la cassette avec la face à enregistrer à l'extérieur.
- 3 Sélectionner le mode d'inversion requis (← ou →).
- 4 Régler le sens de défilement de la bande sur (avant) en appuyant sur la touche TAPE (arrière) en appuyant sur la touche TAPE (Ajuster le timer). (Se référer à "Réglage de la minuterie" à la page 33)
- 5 Régler la minuterie environ une minute avant l'heure de l'émission à enregistrer. (Se référer à la page 26)
- 6 Régler la station à enregistrer. (Se référer à la page 26)
- 7 Régler la touche POWER en attente.
- 8 Confirmer que l'indicateur de mode de minuterie (REC) est affiché dans la fenêtre d'affichage.

6. Régler le volume.



This shows that volume level 1 is selected.  
 Esto aparece cuando se selecciona el nivel de volumen 1.  
 Ceci montre quand le niveau de volume 1 est sélectionné.

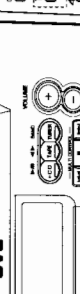
- When the volume setting is set to "VOL" (volume levels not specified), the timer playback volume is at the level used before setting the timer.
- Si se ajusta el volumen en "VOL" (no se especifica el nivel de volumen), el volumen de la reproducción por temporizador permanece al nivel utilizado antes de ajustar el temporizador.
- **Comprobación del ajuste del temporizador**  
 1. Presione el botón SET después de presionar el botón TIMER.  
 El ajuste del temporizador puede ser confirmado al presionar el botón SET.  
 2. Cuando se activa el modo anterior, el ajuste del temporizador queda completado.

**Notes:**  
 • When the timer is set incorrectly or the correct mode is not selected, perform "Setting the timer" from the beginning.  
 • Si la minuterie está mal réglée ou si le mode correct n'est pas sélectionné, effectuer "Réglage de la minuterie" à partir du début.

- **Grabación por temporizador de una radiodifusión**  
 • Antes de utilizar el temporizador es necesario ajustar la hora actual.  
 • Asegúrese de que las lengüetas de protección de la cinta de la cassette no están rotas.

**Operaciones**

- 1 Coloque el botón POWER en ON.
- 2 Coloque la cassette con la cara a ser grabada apuntando hacia afuera.
- 3 Seleccione el modo de inversión deseado (← or →).
- 4 Ajuste el sentido de la cinta en (hacia adelante) presionando el botón TAPE (hacia atrás) presionando el botón TAPE (Ajuste el temporizador). (Referirse a la página 33)
- 5 Ajuste el temporizador a un minuto aproximadamente antes del comienzo programado de la radiodifusión a ser grabada.
- 6 Síntonice la estación a ser grabada. (Referirse a la página 26)
- 7 Presione el botón POWER en espera.
- 8 Confirme que el indicador del modo temporizador (REC) está indicado en la ventanilla de indicación.



- 1 Régler la touche POWER sur marche.
- 2 Régler la cassette avec la face à enregistrer à l'extérieur.
- 3 Sélectionner le mode d'inversion requis (← ou →).
- 4 Régler le sens de défilement de la bande sur (avant) en appuyant sur la touche TAPE (arrière) en appuyant sur la touche TAPE (Ajuster le timer). (Se référer à "Réglage de la minuterie" à la page 33)
- 5 Régler la minuterie environ une minute avant l'heure de l'émission à enregistrer. (Se référer à la page 26)
- 6 Régler la station à enregistrer. (Se référer à la page 26)
- 7 Régler la touche POWER en attente.
- 8 Confirmer que l'indicateur de mode de minuterie (REC) est affiché dans la fenêtre d'affichage.

6. Repeat timer recording every day

Press the TIMER ON/OFF button to display the timer mode indicator (REC) in the display window.  
 Presione el botón TIMER ON/OFF para llamar la indicación del modo de temporizador (REC) en la indicación.

**Notes:**  
 • Once the timer has been set, the start and stop times, etc., or playback is memory. At the timer recording or playback is set again at different times, the timer must be set again.  
 • After setting the timer start and stop times, check that the tuner is tuned to the required frequency.  
 • If memory back-up batteries are exhausted or not installed, and the power cord is disconnected or there is a power failure, timer settings will be erased from memory. If this happens, set the current time and perform the timer setting again.

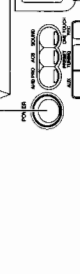
- **Reproducción por temporizador**  
 • La reproducción por temporizador de críticas, radiodifusiones, y CD es posible.

**Operaciones**

- 1 Set the POWER button to ON.
- 2 Set the timer. (Refer to "Setting the timer" on page 33)
- 3 Set the POWER button to standby.

**Funcionamiento**

- **Reproducción por temporizador**  
 • La reproducción por temporizador de críticas, radiodifusiones, y CD es posible.



- 1 Régler la touche POWER en ON.
- 2 Régler le timer. (Se référer à "Réglage de la minuterie" à la page 33)
- 3 Régler la touche POWER en attente.

6. Repeat timer recording every day

Press the TIMER ON/OFF button to display the timer mode indicator (REC) in the display window.  
 Presione el botón TIMER ON/OFF para llamar la indicación del modo de temporizador (REC) en la indicación.

**Notes:**  
 • Once the timer has been set, the start and stop times, etc., or playback is memory. At the timer recording or playback is set again at different times, the timer must be set again.  
 • After setting the timer start and stop times, check that the tuner is tuned to the required frequency.  
 • If memory back-up batteries are exhausted or not installed, and the power cord is disconnected or there is a power failure, timer settings will be erased from memory. If this happens, set the current time and perform the timer setting again.

- **Reproducción por temporizador**  
 • La reproducción por temporizador de críticas, radiodifusiones, y CD es posible.

**Operaciones**

- 1 Set the POWER button to ON.
- 2 Set the timer. (Refer to "Setting the timer" on page 33)
- 3 Set the POWER button to standby.

**Funcionamiento**

- **Reproducción por temporizador**  
 • La reproducción por temporizador de críticas, radiodifusiones, y CD es posible.



- 1 Régler la touche POWER sur marche.
- 2 Régler le timer. (Se référer à "Réglage de la minuterie" à la page 33)
- 3 Régler la touche POWER sur attente.

6. Repeat timer recording every day

Press the TIMER ON/OFF button to display the timer mode indicator (REC) in the display window.  
 Presione el botón TIMER ON/OFF para llamar la indicación del modo de temporizador (REC) en la indicación.

**Notes:**  
 • Once the timer has been set, the start and stop times, etc., or playback is memory. At the timer recording or playback is set again at different times, the timer must be set again.  
 • After setting the timer start and stop times, check that the tuner is tuned to the required frequency.  
 • If memory back-up batteries are exhausted or not installed, and the power cord is disconnected or there is a power failure, timer settings will be erased from memory. If this happens, set the current time and perform the timer setting again.

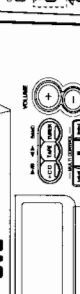
- **Reproducción por temporizador**  
 • La reproducción por temporizador de críticas, radiodifusiones, y CD es posible.

**Operaciones**

- 1 Set the POWER button to ON.
- 2 Set the timer. (Refer to "Setting the timer" on page 33)
- 3 Set the POWER button to standby.

**Funcionamiento**

- **Reproducción por temporizador**  
 • La reproducción por temporizador de críticas, radiodifusiones, y CD es posible.



- 1 Régler la touche POWER sur marche.
- 2 Régler le timer. (Se référer à "Réglage de la minuterie" à la page 33)
- 3 Régler la touche POWER sur attente.

6. Repeat timer recording every day

Press the TIMER ON/OFF button to display the timer mode indicator (REC) in the display window.  
 Presione el botón TIMER ON/OFF para llamar la indicación del modo de temporizador (REC) en la indicación.

**Notes:**  
 • Once the timer has been set, the start and stop times, etc., or playback is memory. At the timer recording or playback is set again at different times, the timer must be set again.  
 • After setting the timer start and stop times, check that the tuner is tuned to the required frequency.  
 • If memory back-up batteries are exhausted or not installed, and the power cord is disconnected or there is a power failure, timer settings will be erased from memory. If this happens, set the current time and perform the timer setting again.

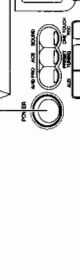
- **Reproducción por temporizador**  
 • La reproducción por temporizador de críticas, radiodifusiones, y CD es posible.

**Operaciones**

- 1 Set the POWER button to ON.
- 2 Set the timer. (Refer to "Setting the timer" on page 33)
- 3 Set the POWER button to standby.

**Funcionamiento**

- **Reproducción por temporizador**  
 • La reproducción por temporizador de críticas, radiodifusiones, y CD es posible.



- 1 Régler la touche POWER sur marche.
- 2 Régler le timer. (Se référer à "Réglage de la minuterie" à la page 33)
- 3 Régler la touche POWER sur attente.

6. Repeat timer recording every day

Press the TIMER ON/OFF button to display the timer mode indicator (REC) in the display window.  
 Presione el botón TIMER ON/OFF para llamar la indicación del modo de temporizador (REC) en la indicación.

**Notes:**  
 • Once the timer has been set, the start and stop times, etc., or playback is memory. At the timer recording or playback is set again at different times, the timer must be set again.  
 • After setting the timer start and stop times, check that the tuner is tuned to the required frequency.  
 • If memory back-up batteries are exhausted or not installed, and the power cord is disconnected or there is a power failure, timer settings will be erased from memory. If this happens, set the current time and perform the timer setting again.

- **Reproducción por temporizador**  
 • La reproducción por temporizador de críticas, radiodifusiones, y CD es posible.

**Operaciones**

- 1 Set the POWER button to ON.
- 2 Set the timer. (Refer to "Setting the timer" on page 33)
- 3 Set the POWER button to standby.

**Funcionamiento**

- **Reproducción por temporizador**  
 • La reproducción por temporizador de críticas, radiodifusiones, y CD es posible.



- 1 Régler la touche POWER sur marche.
- 2 Régler le timer. (Se référer à "Réglage de la minuterie" à la page 33)
- 3 Régler la touche POWER sur attente.

6. Repeat timer recording every day

Press the TIMER ON/OFF button to display the timer mode indicator (REC) in the display window.  
 Presione el botón TIMER ON/OFF para llamar la indicación del modo de temporizador (REC) en la indicación.

**Notes:**  
 • Once the timer has been set, the start and stop times, etc., or playback is memory. At the timer recording or playback is set again at different times, the timer must be set again.  
 • After setting the timer start and stop times, check that the tuner is tuned to the required frequency.  
 • If memory back-up batteries are exhausted or not installed, and the power cord is disconnected or there is a power failure, timer settings will be erased from memory. If this happens, set the current time and perform the timer setting again.

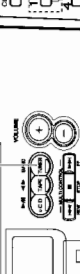
- **Reproducción por temporizador**  
 • La reproducción por temporizador de críticas, radiodifusiones, y CD es posible.

**Operaciones**

- 1 Set the POWER button to ON.
- 2 Set the timer. (Refer to "Setting the timer" on page 33)
- 3 Set the POWER button to standby.

**Funcionamiento**

- **Reproducción por temporizador**  
 • La reproducción por temporizador de críticas, radiodifusiones, y CD es posible.



- 1 Régler la touche POWER sur marche.
- 2 Régler le timer. (Se référer à "Réglage de la minuterie" à la page 33)
- 3 Régler la touche POWER sur attente.

6. Repeat timer recording every day

Press the TIMER ON/OFF button to display the timer mode indicator (REC) in the display window.  
 Presione el botón TIMER ON/OFF para llamar la indicación del modo de temporizador (REC) en la indicación.

**Notes:**  
 • Once the timer has been set, the start and stop times, etc., or playback is memory. At the timer recording or playback is set again at different times, the timer must be set again.  
 • After setting the timer start and stop times, check that the tuner is tuned to the required frequency.  
 • If memory back-up batteries are exhausted or not installed, and the power cord is disconnected or there is a power failure, timer settings will be erased from memory. If this happens, set the current time and perform the timer setting again.

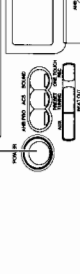
- **Reproducción por temporizador**  
 • La reproducción por temporizador de críticas, radiodifusiones, y CD es posible.

**Operaciones**

- 1 Set the POWER button to ON.
- 2 Set the timer. (Refer to "Setting the timer" on page 33)
- 3 Set the POWER button to standby.

**Funcionamiento**

- **Reproducción por temporizador**  
 • La reproducción por temporizador de críticas, radiodifusiones, y CD es posible.



- 1 Régler la touche POWER sur marche.
- 2 Régler le timer. (Se référer à "Réglage de la minuterie" à la page 33)
- 3 Régler la touche POWER sur attente.

**B. Para dormir mientras escucha una cinta, radiodifusión, o CD y para efectuar la lectura por minuterie el día siguiente**

- 1 Ajuste el temporizador. (Relajarse a "Ajuste del temporizador" en la página 33.)
- 2 Ajuste la fuente deseada (radiodifusión, cinta o CD).
- 3 Presione el botón SLEEP para ajustar la hora de desconexión del temporizador.



Source mode display (Releasing the sleep mode)  
Visualización del modo de fuente (Cancelación del modo de desconexión)  
Affichage de mode de source (Relâchement de la minuterie de sommeil)

- N'importe quelle source peut être sélectionnée pour la minuterie de sommeil et la lecture par minuterie. Pour plus de détails, voir la page 33.
- Lecture CD pour la minuterie de sommeil et réception d'une émission pour la lecture par minuterie.
- Lecture de bande pour la minuterie de sommeil et lecture CD pour la lecture par minuterie.

Toutefois, quand la réception d'émission est sélectionnée pour à la fois la minuterie de sommeil et la lecture par minuterie, la station que vous entendez la nuit sera synchronisée le matin suivant.

**B. Para dormir mientras escucha una cinta, radiodifusión, o CD y para efectuar la reproducción por temporizador la mañana siguiente**

- 1 Ajuste el temporizador. (Relajarse a "Ajuste del temporizador" en la página 33.)
- 2 Ajuste la fuente deseada (radiodifusión, cinta o CD).
- 3 Presione el botón SLEEP para ajustar la hora de desconexión del temporizador.



Source mode display (Releasing the sleep mode)  
Visualización del modo de fuente (Cancelación del modo de desconexión)  
Affichage de mode de source (Relâchement de la minuterie de sommeil)

- Para las operaciones del temporizador por reproducción y para la reproducción por temporizador, seleccione cualquier fuente. Por ejemplo, seleccionar reproducción de CD para la operación por temporizador de desconexión y recepción por radiodifusión para la reproducción por temporizador.
- Reproducción de cinta para la operación del temporizador de desconexión y reproducción de CD para la reproducción por temporizador.

Sin embargo, cuando se selecciona la recepción de radiodifusión tanto para el temporizador de desconexión como para la reproducción por temporizador, la estación que usted escucha durante la noche será sincronizada a la mañana siguiente.

**B. To fall asleep while listening to a tape, broadcast or CD and to perform timer playback the following morning**

- 1 Set the timer. (Refer to "Setting the timer" on page 33.)
- 2 Set to the required source (broadcast, tape or CD).
- 3 Press the SLEEP button to set the sleep time.



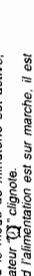
Source mode display (Releasing the sleep mode)  
Visualización del modo de fuente (Cancelación del modo de desconexión)  
Affichage de mode de source (Relâchement de la minuterie de sommeil)

- Any source can be selected for sleep timer operation. For example, selecting broadcast reception for timer playback.
- Tape playback for sleep timer operation and CD play for timer playback.

However, when broadcast reception is selected for both sleep timer operation and timer playback, the station you heard at night will be tuned to the following morning.

**B. To fall asleep while listening to a tape, broadcast or CD and to perform timer playback the following morning**

- 1 Set the timer. (Refer to "Setting the timer" on page 33.)
- 2 Set to the required source (broadcast, tape or CD).
- 3 Press the SLEEP button to set the sleep time.



Source mode display (Releasing the sleep mode)  
Visualización del modo de fuente (Cancelación del modo de desconexión)  
Affichage de mode de source (Relâchement de la minuterie de sommeil)

- Any source can be selected for sleep timer operation. For example, selecting broadcast reception for timer playback.
- Tape playback for sleep timer operation and CD play for timer playback.

However, when broadcast reception is selected for both sleep timer operation and timer playback, the station you heard at night will be tuned to the following morning.

**B. To fall asleep while listening to a tape, broadcast or CD and to perform timer playback the following morning**

- 1 Set the timer. (Refer to "Setting the timer" on page 33.)
- 2 Set to the required source (broadcast, tape or CD).
- 3 Press the SLEEP button to set the sleep time.



Source mode display (Releasing the sleep mode)  
Visualización del modo de fuente (Cancelación del modo de desconexión)  
Affichage de mode de source (Relâchement de la minuterie de sommeil)

- Any source can be selected for sleep timer operation. For example, selecting broadcast reception for timer playback.
- Tape playback for sleep timer operation and CD play for timer playback.

However, when broadcast reception is selected for both sleep timer operation and timer playback, the station you heard at night will be tuned to the following morning.

**B. To fall asleep while listening to a tape, broadcast or CD and to perform timer playback the following morning**

- 1 Set the timer. (Refer to "Setting the timer" on page 33.)
- 2 Set to the required source (broadcast, tape or CD).
- 3 Press the SLEEP button to set the sleep time.



Source mode display (Releasing the sleep mode)  
Visualización del modo de fuente (Cancelación del modo de desconexión)  
Affichage de mode de source (Relâchement de la minuterie de sommeil)

- Any source can be selected for sleep timer operation. For example, selecting broadcast reception for timer playback.
- Tape playback for sleep timer operation and CD play for timer playback.

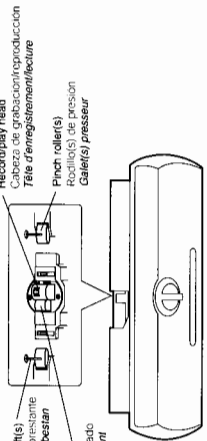
However, when broadcast reception is selected for both sleep timer operation and timer playback, the station you heard at night will be tuned to the following morning.

**MAINTENANCE**



- Cleaning is important!**  
Cuando la cinta está girando, el polvo magnético y el polvo se acumulan naturalmente en las cabezas, cabestante y rodillo de presión. Cuando estos son muy sucios...
- El nivel de sonido se deteriora.
  - El nivel de salida de sonido se reduce.
  - El nivel de calidad de grabación no se borran completamente.
  - La grabación no se realiza satisfactoriamente.
- Por lo tanto, usted debe limpiar las cabezas, etc. después de cada 10 horas de uso para obtener condiciones de grabación óptimas.
- Limpeza de las cabezas, cabestante y rodillo de presión**  
Ante el porcasaste. Limpie las cabezas, rodillo de presión y cabestante. Para una limpieza efectiva, utilice un kit de limpieza disponible en cualquier tienda de audio. Después de la limpieza, asegúrese de que el líquido para la misma se haya secado completamente antes de colocar un cassette.

**Cleaning the heads, capstan and pinch roller**  
Open the cassette holder. Clean the heads, pinch roller and capstan. For effective cleaning, use a cleaning kit available from an audio store. After cleaning, be sure that the cleaning fluid has dried completely before loading a cassette.



**MANTENIMIENTO**

**¡La limpieza es importante!**  
Cuando la cinta está girando, el polvo magnético y el polvo se acumulan naturalmente en las cabezas, cabestante y rodillo de presión. Cuando estos son muy sucios...

- El nivel de sonido se deteriora.
  - El nivel de salida de sonido se reduce.
  - El nivel de calidad de grabación no se borran completamente.
  - La grabación no se realiza satisfactoriamente.
- Por lo tanto, usted debe limpiar las cabezas, etc. después de cada 10 horas de uso para obtener condiciones de grabación óptimas.

**Limpeza de las cabezas, cabestante y rodillo de presión**  
Ante el porcasaste. Limpie las cabezas, rodillo de presión y cabestante. Para una limpieza efectiva, utilice un kit de limpieza disponible en cualquier tienda de audio. Después de la limpieza, asegúrese de que el líquido para la misma se haya secado completamente antes de colocar un cassette.

**• To cancel limer operation**  
Press the TIMER ON/OFF button so that the timer mode indicator (⏸), goes off.

**Notes:**  
(volume level is not specified), the timer playback volume is at the level used before setting the timer. (In this case, the fade-in mode does not function.)

- To stop during timer, playback, press the POWER button to switch the unit off.

**• To cancel limer operation**  
Press the TIMER ON/OFF button so that the timer mode indicator (⏸), goes off.

**Notes:**  
(volume level is not specified), the timer playback volume is at the level used before setting the timer. (In this case, the fade-in mode does not function.)

- To stop during timer, playback, press the POWER button to switch the unit off.

**Sleep timer operations (using the remote control unit)**

**A. Use this when you want to fall asleep while listening to a tape, broadcast or CD.**

- 1 Set to the required source and tune in a broadcast or play back a CD or tape.
- 2 Press the SLEEP button to set the sleep time.

**Sleep timer operations (using the remote control unit)**

**A. Use this when you want to fall asleep while listening to a tape, broadcast or CD.**

- 1 Set to the required source and tune in a broadcast or play back a CD or tape.
- 2 Press the SLEEP button to set the sleep time.



Source mode display (Releasing the sleep mode)  
Visualización del modo de fuente (Cancelación del modo de desconexión)  
Affichage de mode de source (Relâchement de la minuterie de sommeil)

- Sleep time settings of 30, 60, 90 or 120 minutes can be set. When you release the SLEEP button, the source is displayed after 5 sec.
- Después de transcurrido el tiempo especificado se activa el temporizador de desconexión y la alimentación es desprecada.
- Verificación del tiempo para dormir: Cuando la fuente de audio se activa, se muestra la indicación del tiempo restante. Si presiona otra vez, es posible establecer un nuevo periodo para dormir.
- Cancelación del temporizador de desconexión: Presione el botón POWER para desconectar la alimentación o presione el botón SLEEP hasta que el indicador de tiempo para dormir desaparece.

- Después de transcurrido el tiempo especificado se activa el temporizador de desconexión y la alimentación es desprecada.
- Verificación del tiempo para dormir: Cuando la fuente de audio se activa, se muestra la indicación del tiempo restante. Si presiona otra vez, es posible establecer un nuevo periodo para dormir.
- Cancelación del temporizador de desconexión: Presione el botón POWER para desconectar la alimentación o presione el botón SLEEP hasta que el indicador de tiempo para dormir desaparece.

**Funcionamiento de la minuterie de sommeil (en utilisant la télécommande)**

**A. L'utiliser quand vous voulez vous endormir tout en écoutant une bande, une émission ou un disque.**

- 1 Régler la source voulue et sintoniser l'émission ou lire un CD ou une cassette.
- 2 Appuyer sur la touche SLEEP pour régler la durée de sommeil.

**Funcionamiento de la minuterie de sommeil (en utilisant la télécommande)**

**A. L'utiliser quand vous voulez vous endormir tout en écoutant une bande, une émission ou un disque.**

- 1 Régler la source voulue et sintoniser l'émission ou lire un CD ou une cassette.
- 2 Appuyer sur la touche SLEEP pour régler la durée de sommeil.



Source mode display (Releasing the sleep mode)  
Visualización del modo de fuente (Cancelación del modo de desconexión)  
Affichage de mode de source (Relâchement de la minuterie de sommeil)

- Des réglages de durée de sommeil de 30, 60, 90 ou 120 minutes peuvent être réglés. Lorsque vous relâchez la touche SLEEP, la source est affichée 5 s plus tard.
- La minuterie de sommeil commencera et l'alimentation sera coupée après la durée spécifiée.
- Contrôle de la durée de sommeil: Quand la source audio est activée, l'indication du temps restant est affichée. Si elle est pressée à nouveau, il est possible de régler une nouvelle durée de sommeil pour être réglée.
- Pour annuler le fonctionnement de la minuterie de sommeil: Appuyez sur la touche POWER pour couper l'alimentation ou appuyez sur la touche SLEEP jusqu'à ce que l'indicateur de minuterie de sommeil disparaisse.

- Después de transcurrido el tiempo especificado se activa el temporizador de desconexión y la alimentación es desprecada.
- Verificación del tiempo para dormir: Cuando la fuente de audio se activa, se muestra la indicación del tiempo restante. Si presiona otra vez, es posible establecer un nuevo periodo para dormir.
- Cancelación del temporizador de desconexión: Presione el botón POWER para desconectar la alimentación o presione el botón SLEEP hasta que el indicador de tiempo para dormir desaparece.





## Disassembly method

<Main Body>

### ■ Removing the Side Grilles

(See Fig.1 and 2)

1. Remove the six A screws attaching the side grille on the left side of the body and pull out the side grille from the body.
2. Similarly, remove the side grille on the right side.

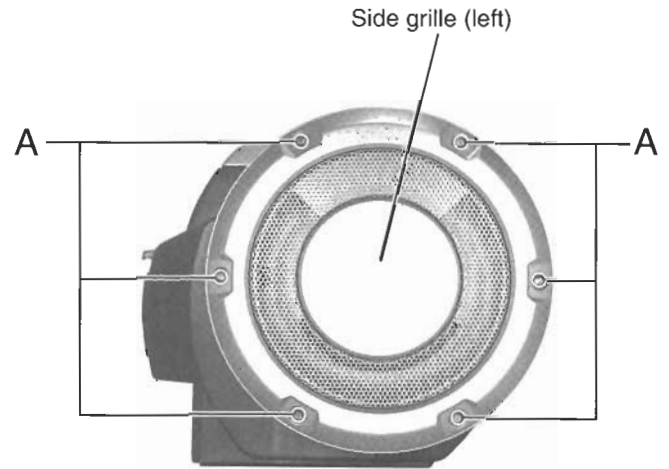


Fig.1

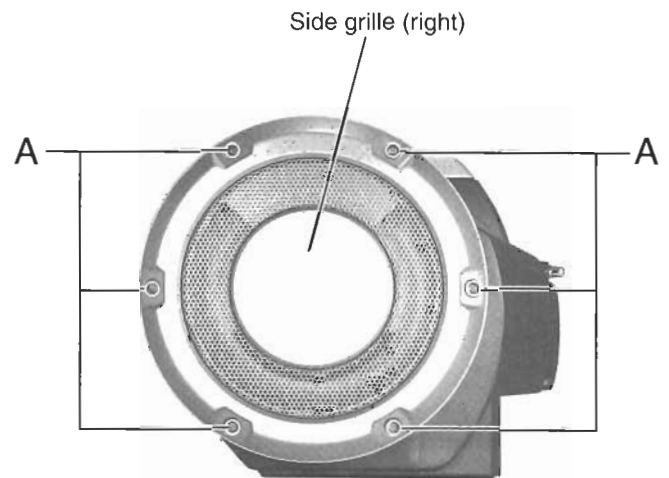


Fig.2

### ■ Removing the Front Cabinet Assembly and the Rear Cabinet Assembly (See Fig.3)

- Prior to performing the following procedure, remove the right and left side grilles.

1. Remove the battery cover on the back of the body.
2. Remove the eight B screws on the back of the body and detach the front cabinet assembly and the rear cabinet assembly. The connector connected to the speaker terminal on the front cabinet assembly comes off.

Attention: When reassembling, make sure that connector CN633 on the rear cabinet is connected to the speaker terminal on the front cabinet.

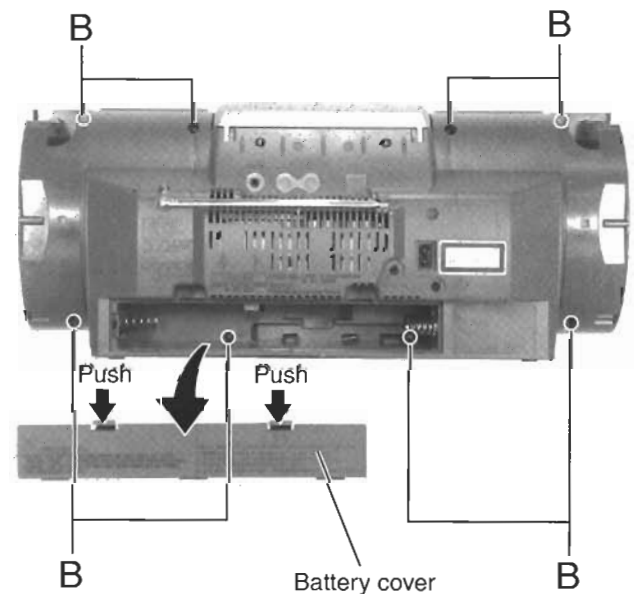


Fig.3

### ■ Removing the Cassette Mechanism Assembly (See Fig.4 and 5)

- Prior to performing the following procedure, remove the right and left side grilles and the front cabinet assembly.

1. Disconnect the card wires from connector CN405 and CN406 on the microcomputer board located on the underside of the CD unit of the rear cabinet assembly.
2. Remove the four C screws attaching the cassette mechanism assembly.

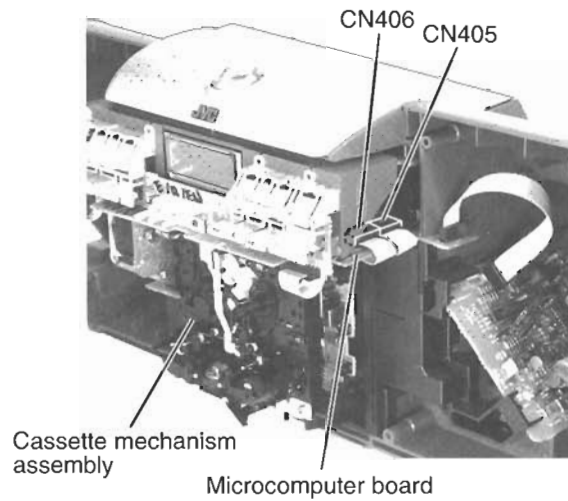


Fig.4

### ■ Removing the CD Unit Assembly (See Fig.6 to 8)

- ※ The CD unit assembly cannot be removed if the cassette mechanism assembly has not been removed.

- Prior to performing the following procedure, remove the right and left side grilles, the front cabinet assembly and the cassette mechanism assembly.

1. Remove the cassette chassis (See Fig.6).
2. Disconnect the card wires from connector CN631 and CN632 on the amplifier board.
3. Disconnect the card wires from connector CN403 on the microcomputer board.
4. Remove the two D screws attaching the CD mechanism assembly on the back of the rear cabinet (See Fig.8).
5. Pull out the CD unit assembly toward the front.

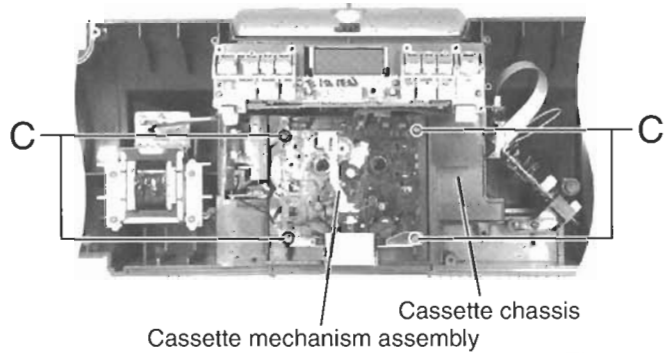


Fig.5

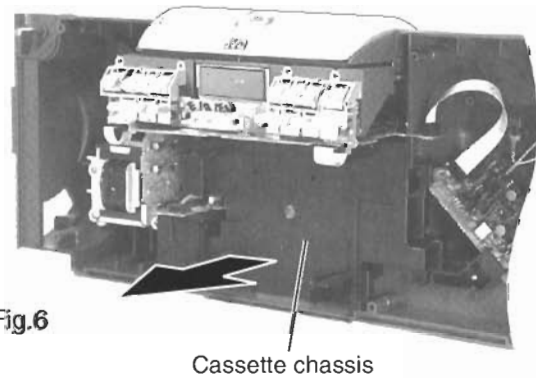


Fig.6

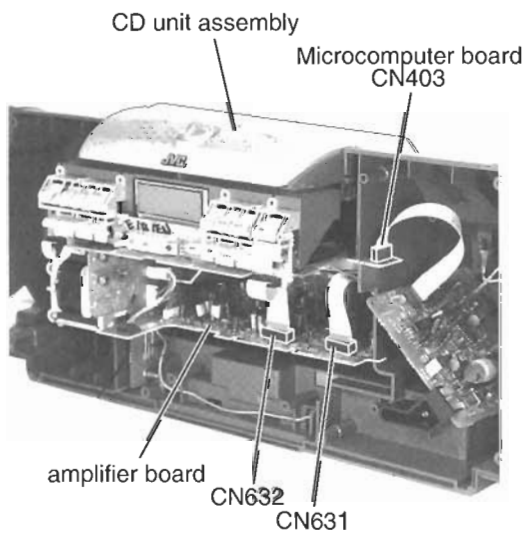


Fig.7

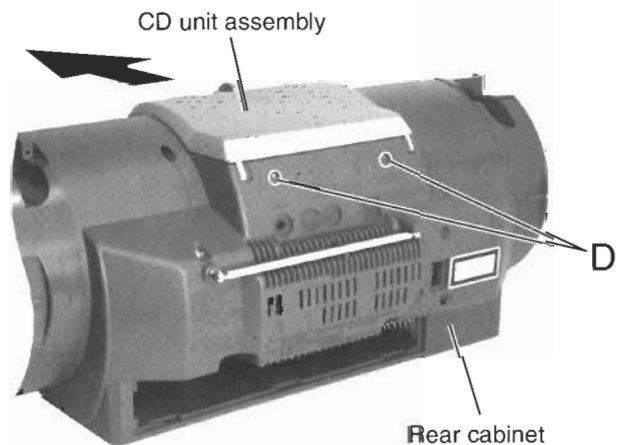


Fig.8

## ■ Removing the Tuner Board (See Fig.9)

- Prior to performing the following procedure, remove the right and left side grilles, the front cabinet assembly.

1. Disconnect the card wire from connector CN403 on the microcomputer board.
2. Remove the screw E attaching the tuner board holder and pull out the tuner board holder together with the tuner board. Disconnect the antenna wire from TP1.

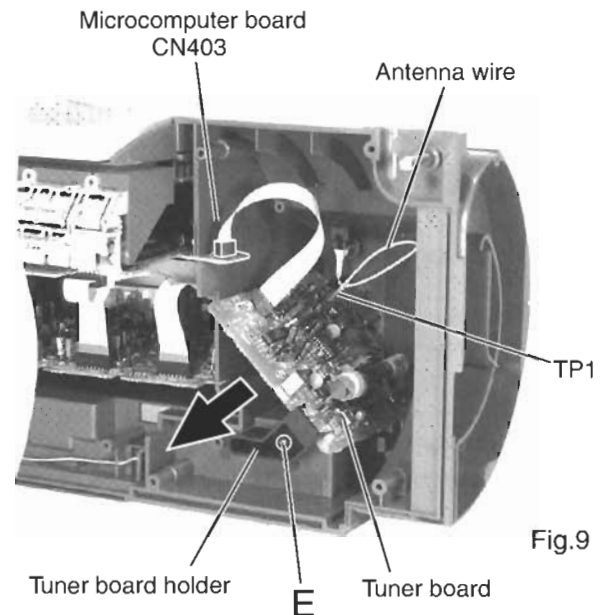


Fig.9

## ■ Remove the Power Transformer Assembly (See Fig.10)

- Prior to performing the following procedure, remove the right and left side grilles, the front cabinet assembly, the cassette mechanism assembly and the cassette chassis.

1. Disconnect the harness from connector CN192 and CN193 on the power supply board respectively.
2. Remove the four F screws attaching the power transformer assembly.

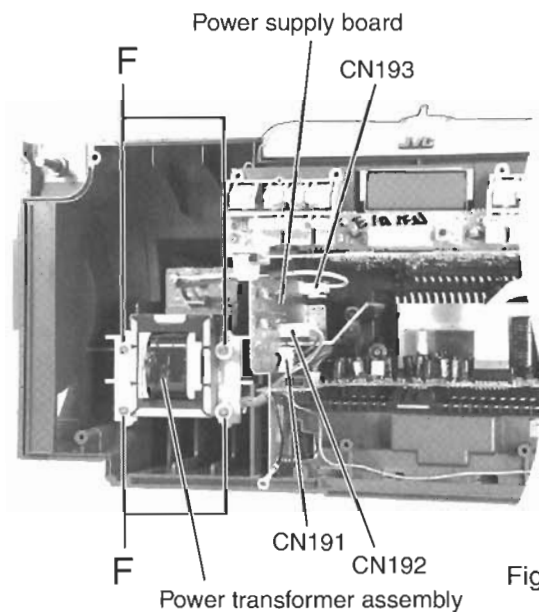


Fig.10

## ■ Remove the Amplifier Board, the Power Supply Board and the Battery Board (See Fig.11)

(See Fig.11)

- Prior to performing the following procedure, remove the right and left side grilles, the front cabinet assembly, the cassette mechanism assembly, the cassette chassis and the CD unit assembly.

1. Disconnect the card wire from connector CN631 and CN632 on the amplifier board respectively.
2. Disconnect the 5pin harness from connector CN191 on the power supply board.
3. Remove the two G screws and the one H screw attaching the amplifier board.
4. Disconnect the harness from connector CN192 and CN193 on the power supply board respectively.
5. Remove the two I screws attaching the power supply board.
6. Pull out the battery board.

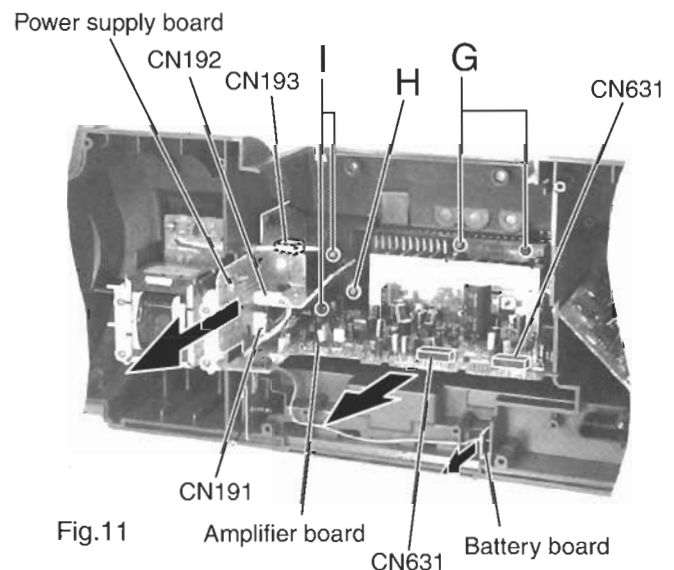


Fig.11

<CD Unit Assembly>

■ Removing the Microcomputer Board

(See Fig.12 and 13)

1. Disconnect the card wire from connector CN251 and CN252 on the key switch board on the front side of the CD unit assembly.
2. Remove the four J screws attaching the microcomputer board on the underside of the CD unit assembly.
3. Disconnect the card wire or the harness from connector CN601, CN602 and CN907 on the microcomputer board respectively.

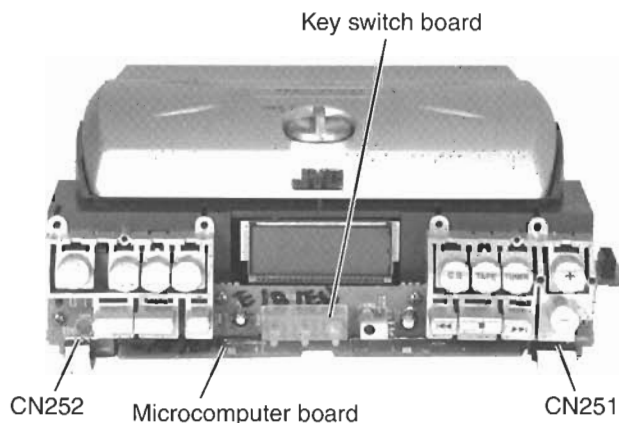


Fig.12

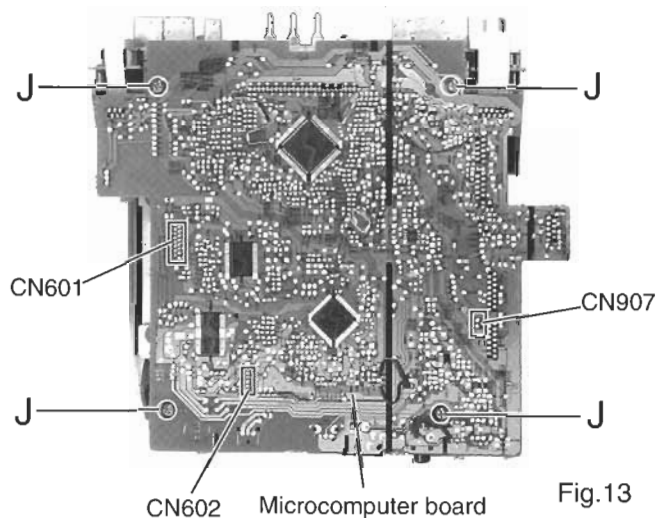


Fig.13

■ Removing the Key Switch Board

(See Fig.14 and 15)

- Prior to performing the following procedure, remove the microcomputer board.

1. Release the four tabs a fixing the right and left function buttons and the three tabs b by the key switch board.

Push tabs a and b in the directions of the arrows carefully not to damage the function buttons

2. Remove the six K screws attaching the key switch board.

3. Pull out the key switch board from two tabs c.

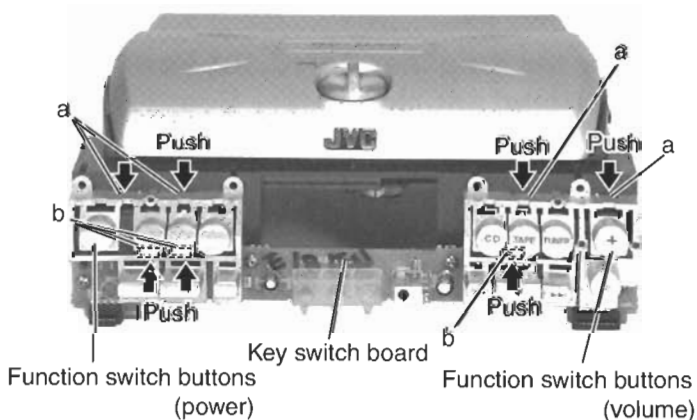


Fig.14

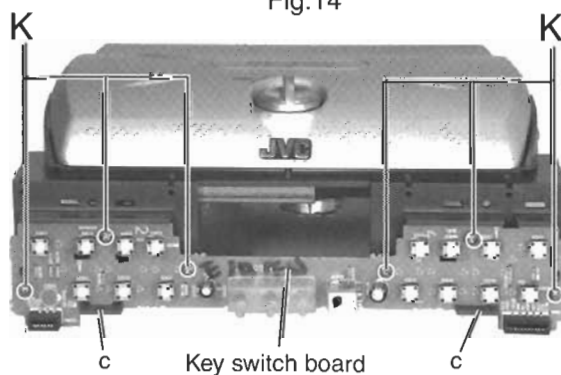


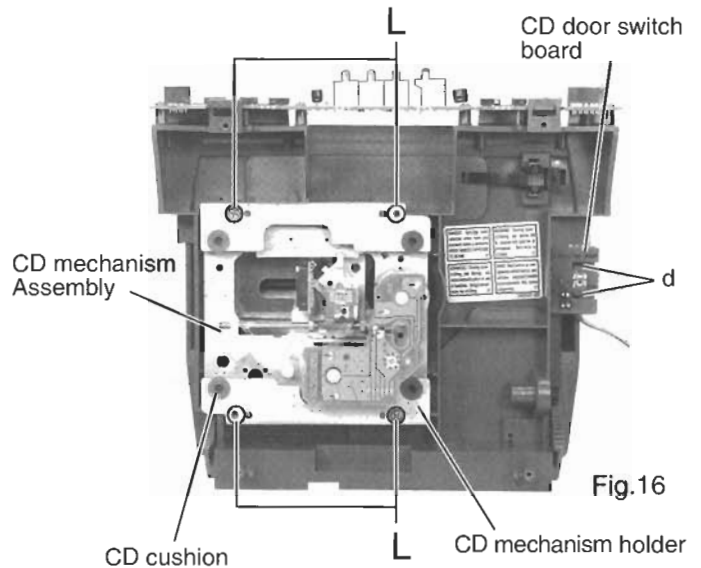
Fig.15

## ■ Removing the CD Door Switch Board (See Fig.16)

- Prior to performing the following procedure, remove the microcomputer board.
1. Release the two tabs d fixing the CD door switch board on the back of the CD case.

## ■ Removing the CD Mechanism Assembly (See Fig.16)

- Prior to performing the following procedure, remove the microcomputer board.
1. Remove the four L screws attaching the CD mechanism holder on the back of the CD case.
  2. Remove the CD mechanism holder, the CD cushion and the CD mechanism Assembly respectively.



## ■ Removing the Pickup Assembly (See Fig.17 to 19)

- Prior to performing the following procedure, remove the CD mechanism assembly.
1. Remove the four M screws attaching the pickup cover.
  2. Push the shaft stopper by the turn table in the direction of the arrow and pull out the shaft. The pickup assembly comes off.

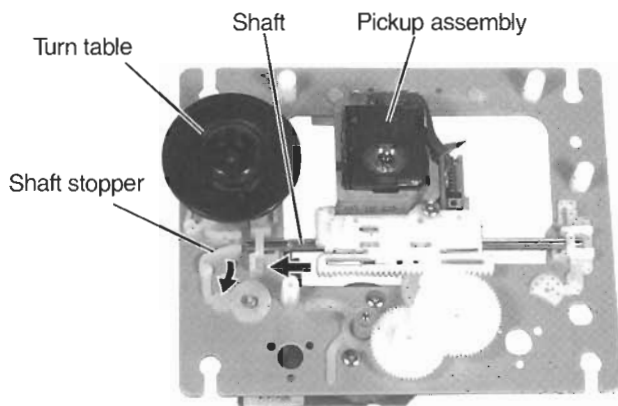
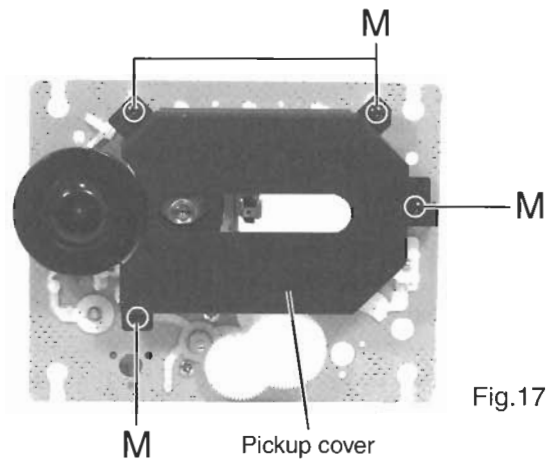


Fig.18

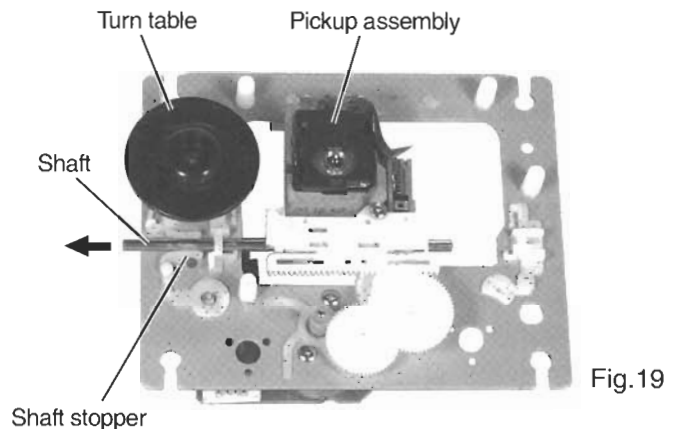


Fig.19

### <Front Cabinet Assembly>

## ■ Removing the Speakers (See Fig.20)

1. Prior to performing the following procedure, remove the front cabinet assembly and the rear cabinet assembly.
2. Remove the eight N screws attaching the right and left speakers on the inside of the front cabinet assembly.
3. Remove the screw O attaching the speaker terminal.

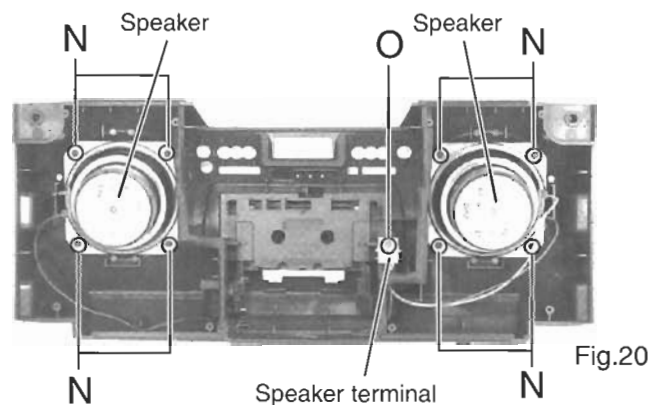


Fig.20

## &lt;&lt;Cassette Mechanism Section&gt;&gt;

### ■ Removing the Playback/Recording & Eraser Head

( See Figs. 1 and 2 )

1. While shifting the trigger arms seen on the right side of the head mount in the arrow direction, turn the flywheel R in counterclockwise direction until the head mount has gone out with a click (See Fig. 1).
2. When the flywheel R is rotated in counterclockwise direction, the Playback/Recording & Eraser head will be turned in counterclockwise direction from the position in Fig. 2 to that in Fig. 3.
3. At this position, disconnect the flexible P.C. board (outgoing from the Playback/Recording & Eraser head) from the connector CN31 on the head amplifier & mechanism control P.C. board.
4. After dismounting the FPC holder, remove the flexible P.C. board.
5. Remove the flexible P.C. board from the chassis base.
6. Remove the spring Afro behind the Playback/Recording & Eraser head.
7. Loosen the reversing azimuth screw retaining the Playback /Recording & Eraser head.
8. Take out the Playback/Recording & Eraser head from the front of the head mount.
9. The Playback/Recording & Eraser head should also be removed similarly according to Steps 1 ~ 8 above.

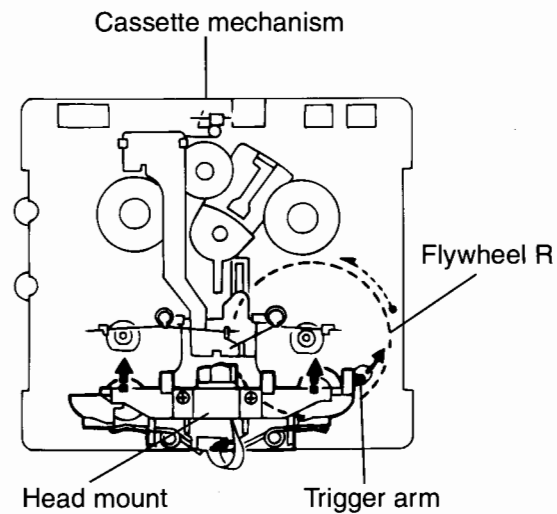


Fig. 1

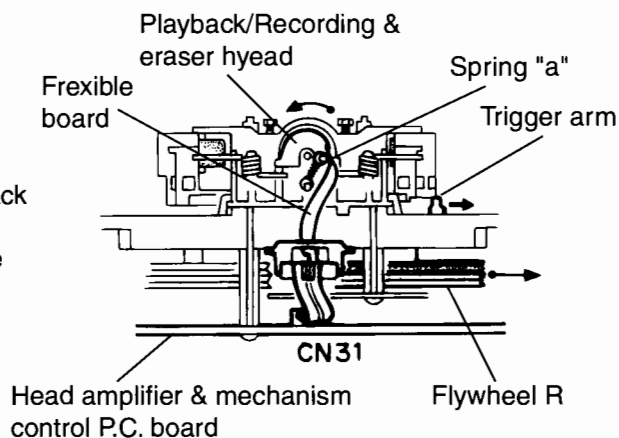


Fig. 2

### ■ Reassembling the Playback/Recording & Eraser Head

1. Reassemble the playback head from the front of the head mount to the position as shown in Fig. 3.
2. Fix the reversing azimuth screw.
3. Set the spring "a" from behind the Playback/Recording & Eraser head.
4. Attach the flexible P.C. board to the chassis base, and fix it with the FPC holder as shown in Fig. 3.
5. The Playback/Recording & Eraser head should also be reassembled similarly to Step 1 ~ 4 above.

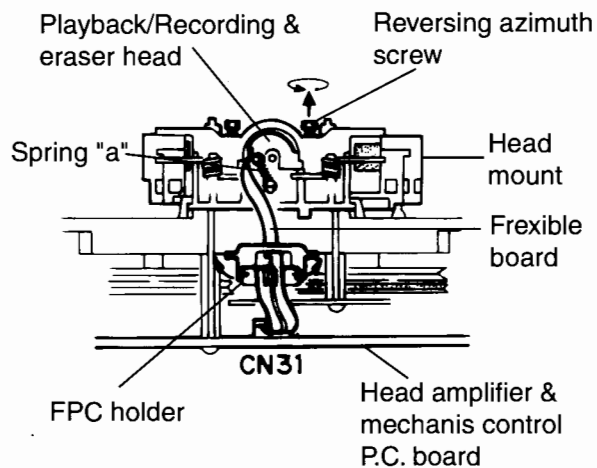
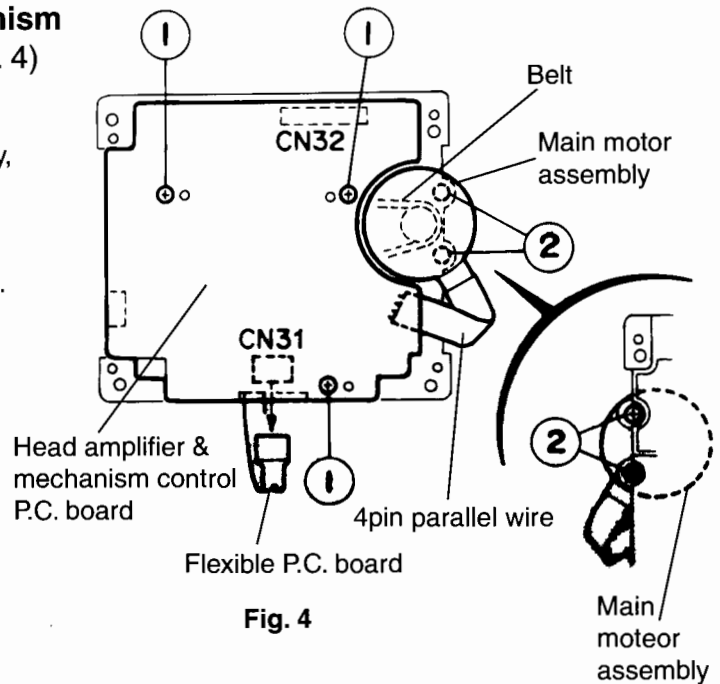


Fig. 3

## ■ Removing the Head amplifier & Mechanism control P.C. board (See Fig. 4)

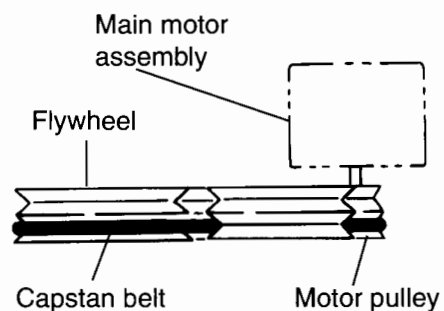
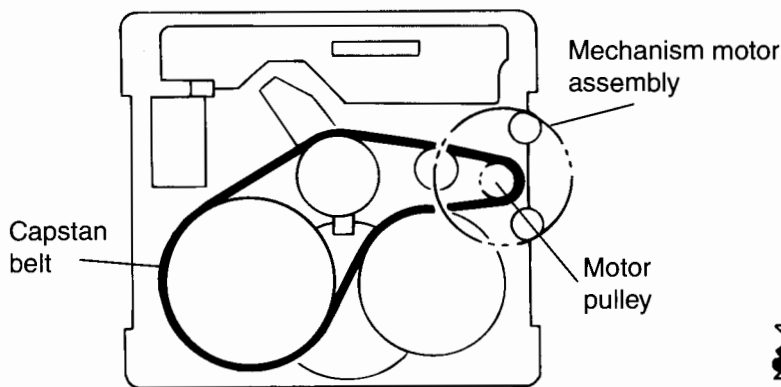
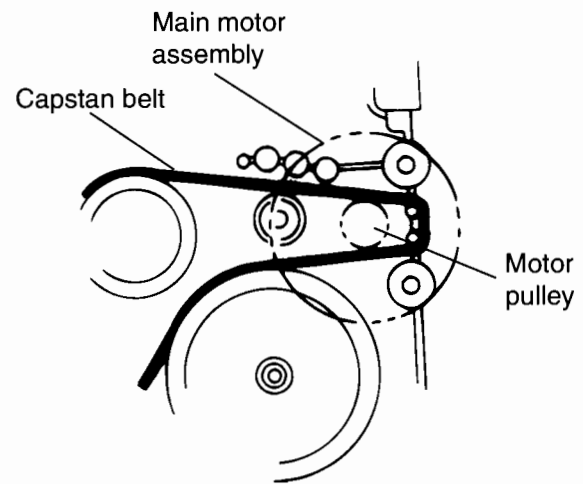
1. Remove the cassette mechanism assembly.
2. After turning over the cassette mechanism assembly, remove the three screws "1" retaining the head amplifier & mechanism control P.C. board.
3. Disconnect the connector CN32 on the P.C. board including the connector CN 1 on the reel pulse P.C. board.
4. When necessary, remove the 4 pin parallel wire soldered to the main motor.



## ■ Removing the Main Motor Assembly (See Fig. 4~6)

1. Remove the two screws "2" retaining the main motor assembly (See Fig. 4, 4a).
2. While raising the main motor, remove the capstan belt from the motor pulley (See Fig. 4a).

**Caution 1:** Be sure to handle the capstan belt so carefully that this belt will not be stained by grease and other foreign matter. Moreover, this belt should be hung while referring to the capstan belt hanging method in Fig. 5, 6.





## ■ Removing the Flywheel

(See Figs. 7 and 8)

1. Remove the head amplifier & mechanism control P.C. board.
2. Remove the main motor assembly.
3. After turning over the cassette mechanism, remove the slit washers "b" and "c" fixing the capstan shafts R and L, and pull out the flywheel R and L respectively from behind the cassette mechanism.

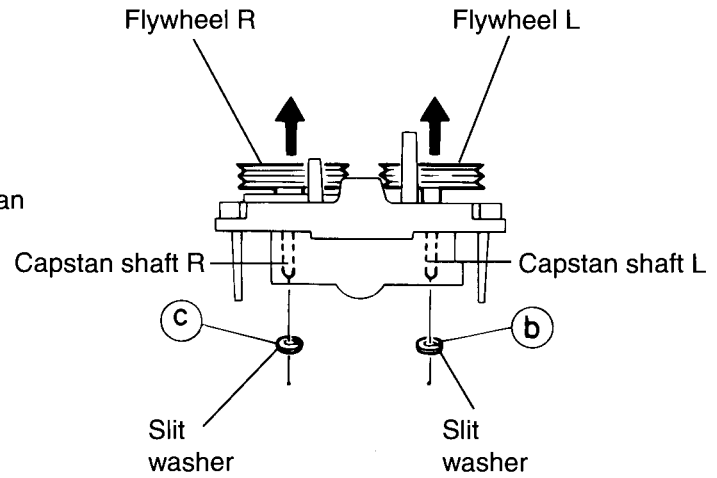


Fig.7

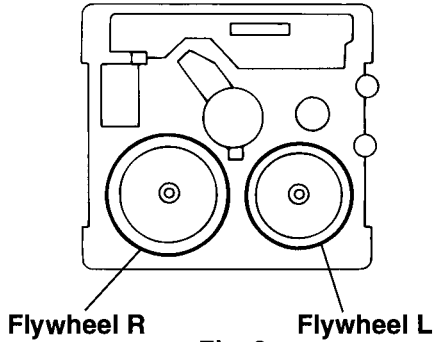


Fig. 8

## ■ Removing the Reel Pulse P.C. board and Solenoid

(See Fig. 9)

1. Remove the five pails "d"~"h" retaining the reel pulse P.C. board.
2. From the surface of the reel pulse P.C. board parts, remove the two pawls "i" and "j" retaining the solenoid.

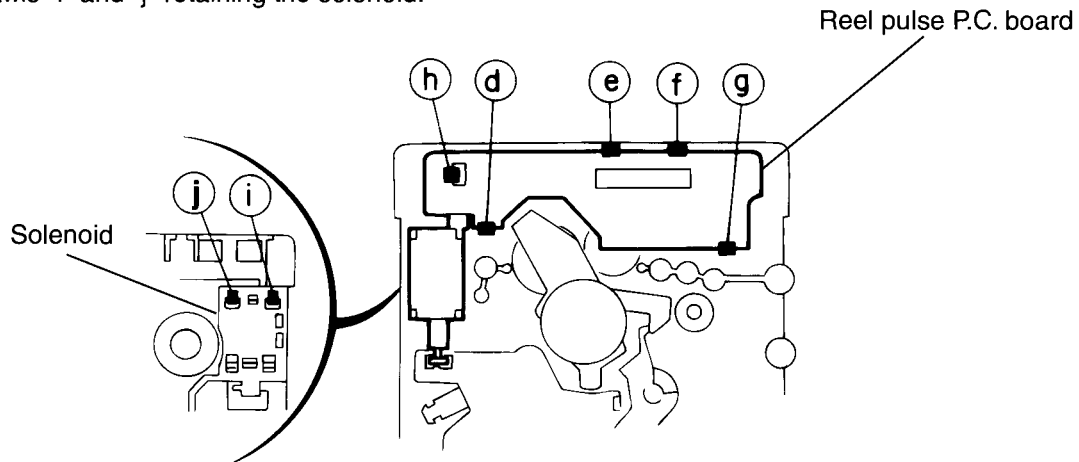
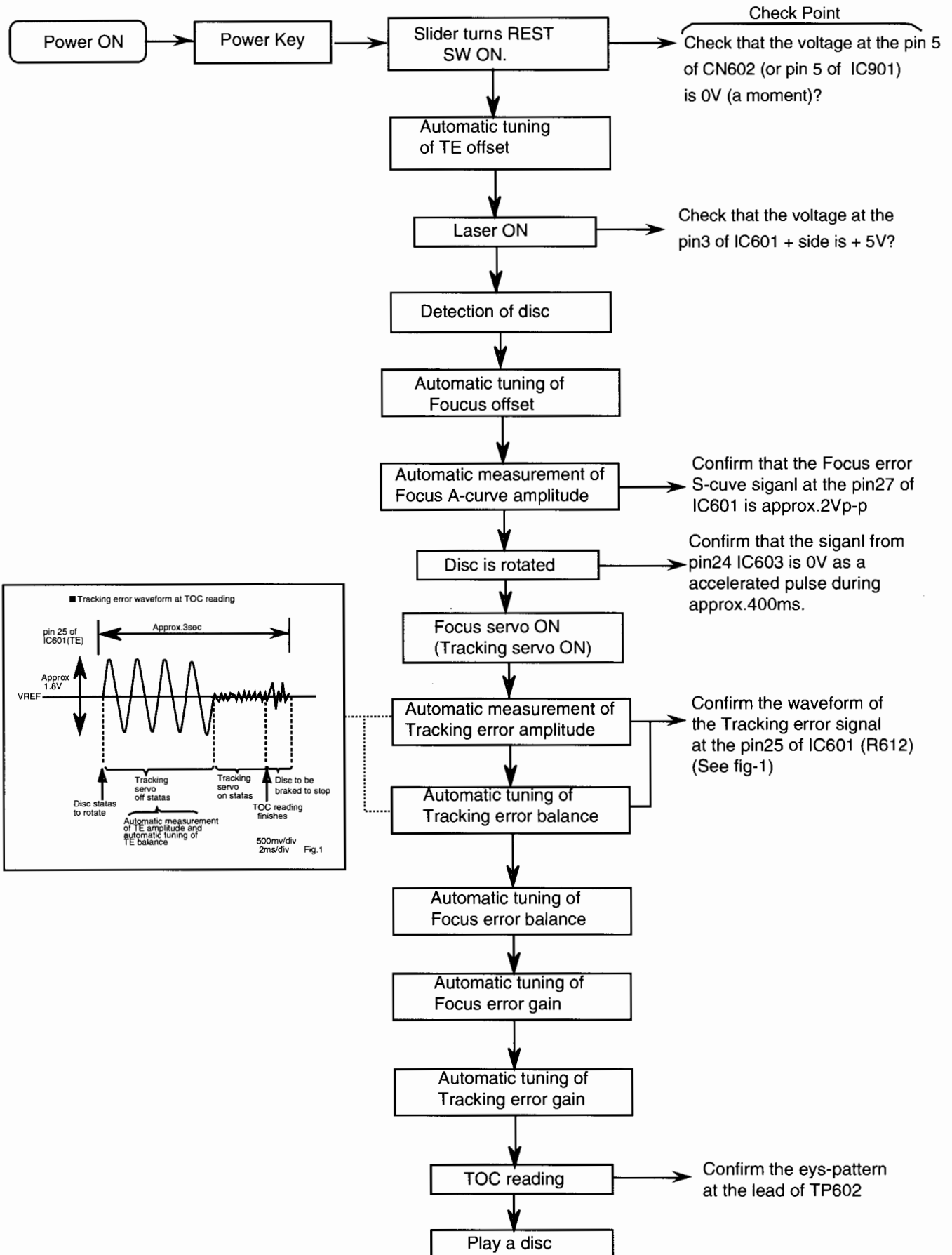


Fig. 9

# Flow of functional operation until TOC read



## Maintenance of laser pickup

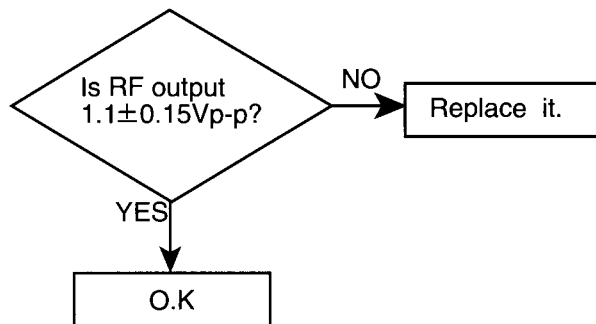
### (1) Cleaning the pick up lens

Before you replace the pick up, please try to clean the lens with a alcohol soaked cotton swab.

### (2) Life of the laser diode (Fig.1)

When the life of the laser diode has expired, the following symptoms will appear.

- (1) The level of RF output (EFM output: amplitude of eye pattern) will below.



(Fig.1)

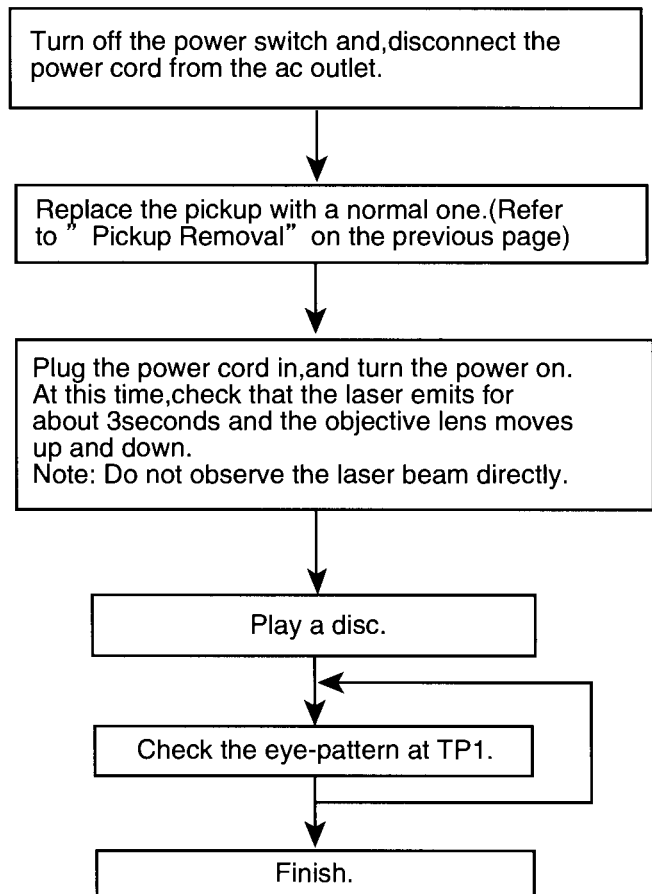
### (3) Semi-fixed resistor on the APC PC board

The semi-fixed resistor on the APC printed circuit board which is attached to the pickup is used to adjust the laser power. Since this adjustment should be performed to match the characteristics of the whole optical block, do not touch the semi-fixed resistor.

If the laser power is lower than the specified value, the laser diode is almost worn out, and the laser pickup should be replaced.

If the semi-fixed resistor is adjusted while the pickup is functioning normally, the laser pickup may be damaged due to excessive current.

## Replacement of laser pickup

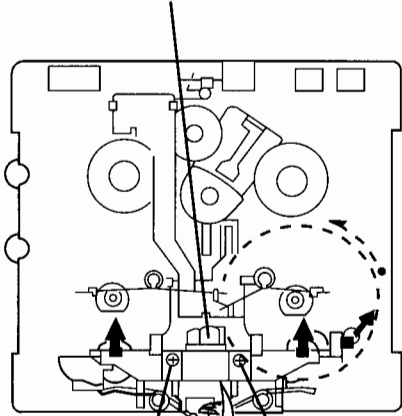




**Location of parts to be adjusted**

■ **Cassette handling mechanism**

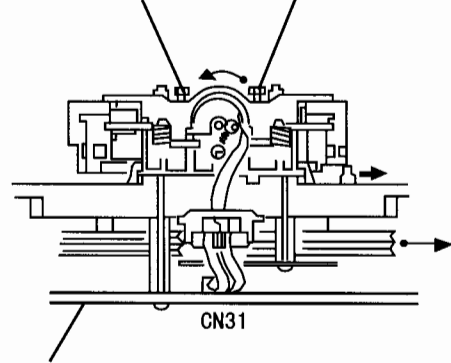
Head for recording, playing and erasing the tape



Head azimuth adjusting screw (fast-forward)  
Head azimuth adjusting screw (rewind)

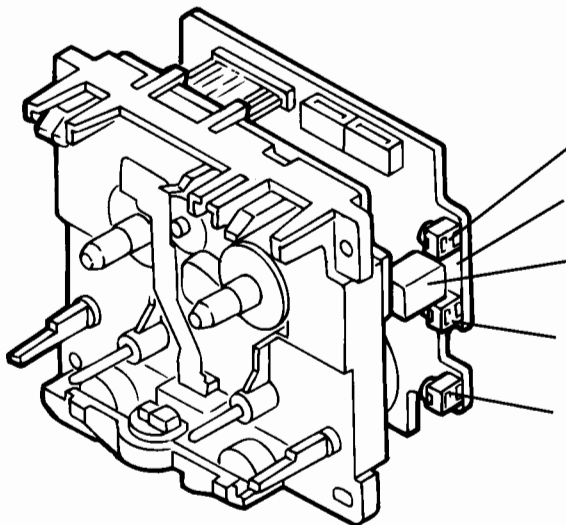
■ **Cassette handling mechanism (reverse side)**

Head azimuth adjusting screw (fast-forward)  
Head azimuth adjusting screw (rewind)



Head for recording, playing and erasing the tape

■ **Location of parts to be adjusted**



- VR37  
Motor speed
- TP  
Bias oscillation frequency (wide pattern)
- L301  
Bias oscillation frequency
- VR31  
Lch recording frequency (bias adjustment)
- VR32  
Rch recording frequency (bias adjustment)

## ■ Adjustment of cassette handling mechanism

Items	Condition	Method for adjustment and confirmation	Standard value	Parts to be adjusted
Confirmation of head angle	Test tape: VT-703 (10 kHz) Measuring output terminal: Speaker terminal, speaker (R) (Load resistance: 4 Ω), headphone terminal	(1) Play back the VT-703 test tape. (2) Adjust the head azimuth screws so that the tape playback mechanism records the maximum output level in both the fast-forward and rewind direction. (3) In all cases, both the fast-forward and rewind direction should be adjusted using head azimuth screws.	Maximum output	Adjust the head azimuth screws when changing the head.
Confirmation of tape speed	Test tape: VT-712 (3 kHz) Measuring output terminal: Headphone terminal	Adjust VR37 so that the frequency counter records 3,015 Hz ± 15 Hz when playing back the end of the VT-712 test tape (3 kHz) in the fast-forward direction.	Tape speed of cassette deck: 3,015 Hz ± 15 Hz	VR37

## ■ Items to be confirmed and standard values

Items	Condition	Method for adjustment and confirmation	Standard value	Parts to be adjusted
Difference in speed between fast-forward and rewind	Test tape: VT-712 (3 kHz) Measuring output terminal: Speaker terminal, speaker (R) (Load resistance: 4 Ω), headphone terminal	The difference between fast-forward and rewind should be less than 60 Hz on the frequency counter when playing back the beginning of the VT-712 test tape (3 kHz) in both directions.	Less than 60 Hz	Should be confirmed when changing the motor.
Wow and flutter	Test tape: VT-712 (3 kHz) Measuring output terminal: Headphone terminal	Wow and flutter should be recorded at less than 0.25% (WRMS) when playing back the VT-712 test tape (3 kHz) in the fast-forward direction.	Less than 0.25% (WRMS)	

## ■ Electronic performance

Items	Condition	Method for adjustment and confirmation	Standard value	Parts to be adjusted
Confirmation of output	Measuring output terminal: CN34-5 or 7-terminal preamp base Test tape: VT-724	Confirm that the output from the CN34-5 or 7-terminal preamp base connector is -25 dBs ± 3 dB when playing back the VT-724 test tape. Reference value: The output from the headphone terminal is -7 dB ± 4 dB.	Output of CN34-5 terminal: -25 dBs ± 3 dB Difference between Lch and Rch: within 3 dB	
Confirmation of reproduction of frequency characteristics	Measuring output terminal: Headphone terminal Test tape: VT-739	Confirm that the 10 kHz reproduction level is -1 dB ± 5 dB compared to the 1 kHz reproduction level when playing back the VT-739 test tape.	Difference between 10 kHz and 1 kHz should be -1 dB ± 5 dB.	
Recording bias frequency	Fast-forward or rewind direction: Test tape: TYPE II (AC-514) Measuring terminal: Bias TP on the base	Switch the bias (beat cut switch) between 1 and 2 to confirm that the frequency changes. Load the test tape (AC-514 for TYPE II) into the mechanism and preset it to the record-pause mode. Confirm that the bias TP frequency on the base is 100 kHz ± 6 kHz.	100 kHz ± 6 kHz	

### ■ Standard values for confirmation of electronic performance

Items	Condition	Method for adjustment and confirmation	Standard value	Parts to be adjusted
Erasing current (standard and reference value)	Fast-forward and rewind direction: <ul style="list-style-type: none"> <li>• Recording mode</li> <li>• AC-514 for TYPE II, AC-225 for TYPE I</li> </ul> Measuring terminal: Both erase head terminals	Load the test tape (AC-514 for TYPE II, AC-225 for TYPE I) into the tape playback mechanism and preset it to the record-pause mode. After setting it to the recording mode, send 1 M in series to the erase head and measure the erasing current from both erase head terminals.	TYPE II: 110 mA TYPE I: 75 mA	
Adjustment of reproduction of frequency characteristics	Standard frequencies: 1 kHz and 10 kHz (REF: -20 dB) Test tape: TYPE II: AC-514 Measuring input terminal: OSC IN	Load the test tape (AC-514 for TYPE II, AC-225 for TYPE I) into the tape playback mechanism and preset it to the record-pause mode. Input the standard value of -20 dB and the standard frequencies of 1 kHz and 10 kHz repeatedly to the microphone input from the transmitter in the recording mode. Adjust VR31 for Lch and VR32 for Rch so that the difference in level between 10 kHz and 1 kHz is $-1 \text{ dB} \pm 5 \text{ dB}$ . Repeat the above for TYPE I and confirm that the difference in level is $-X \text{ dB} \pm \text{dB}$ .	Difference in output between 1 kHz and 10 kHz: $-1 \text{ dB} \pm 5 \text{ dB}$	Lch: VR31 Rch: VR32

#### (U version only)

Sensitivity of reproduction of microphone mixing	Microphone input terminal: 1 kHz, -65 dB Test tape: VT-724	Based on the reproduction level of the VT-724 test tape, confirm that the microphone level is $0 \text{ dB} \pm 3 \text{ dB}$ when a 1 kHz, 65 dBs signal is input. (The mixing volume and sound volume should be at maximum.)	$0 \text{ dB} \pm 3 \text{ dB}$ (Based on the reproduction level of the VT-724)	
--	---	--	--	--

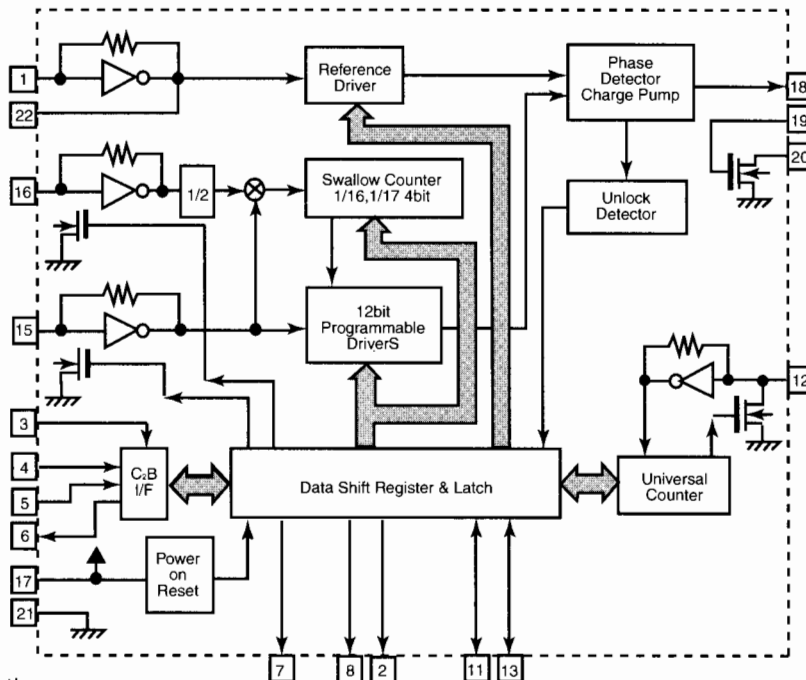
# Description of major ICs

## ■ LC72136N(IC2):PLL Frequency synthesizer

### 1. Layout

XT	1	22	XT
FM/AM	2	21	GND
CE	3	20	LPFOUT
DI	4	19	LPFIN
CLOCK	5	18	PD
DO	6	17	VCC
FM/ST/VCO	7	16	FMIN
AM/FM	8	15	AMIN
	9	14	
	10	13	IFCONT
SDIN	11	12	IFIN

### 2. Block



### 3. Function

Pin No.	Symbol	I/O	Function	Pin No.	Symbol	I/O	Function
1	XT	I	X'tal oscillator connect (75kHz)	12	IFIN	I	IF counter signal input
2	FM/AM	O	LOW:FM mode	13	IFCONT	O	IF signal output
3	CE	I	When data output/input for 4pin(input) and 6pin(output): H	14	-	-	Not use
4	DI	I	Input for receive the sirisl data from controller	15	AMIN	I	AM Local OSC signal output
5	CLOCK	I	Sync signal input use	16	FMIN	I	FM Local OSC signal input
6	DO	O	Data output for Controller Output port	17	VCC	-	Power supply(VDD=4.5-5.5V) When power ON:Reset circuit move
7	FM/ST/VCO	O	"Low": MW mode	18	PD	O	PLL charge pump output(H: Local OSC frequency Height than Reference frequency. L: Low Agreement: Height impedance)
8	AM/FM	O	Not use	19	LPFIN	I	Input for active lowpassfilter of PLL
9	-	-	Not use	20	LPFOUT	O	Output for active lowpassfilter of PLL
10	-	-	Input/output port	21	GND	-	Connected to GND
11	SDIN	I/O	Data input/output	22	XT	I	X'tal oscillator(75KHz)

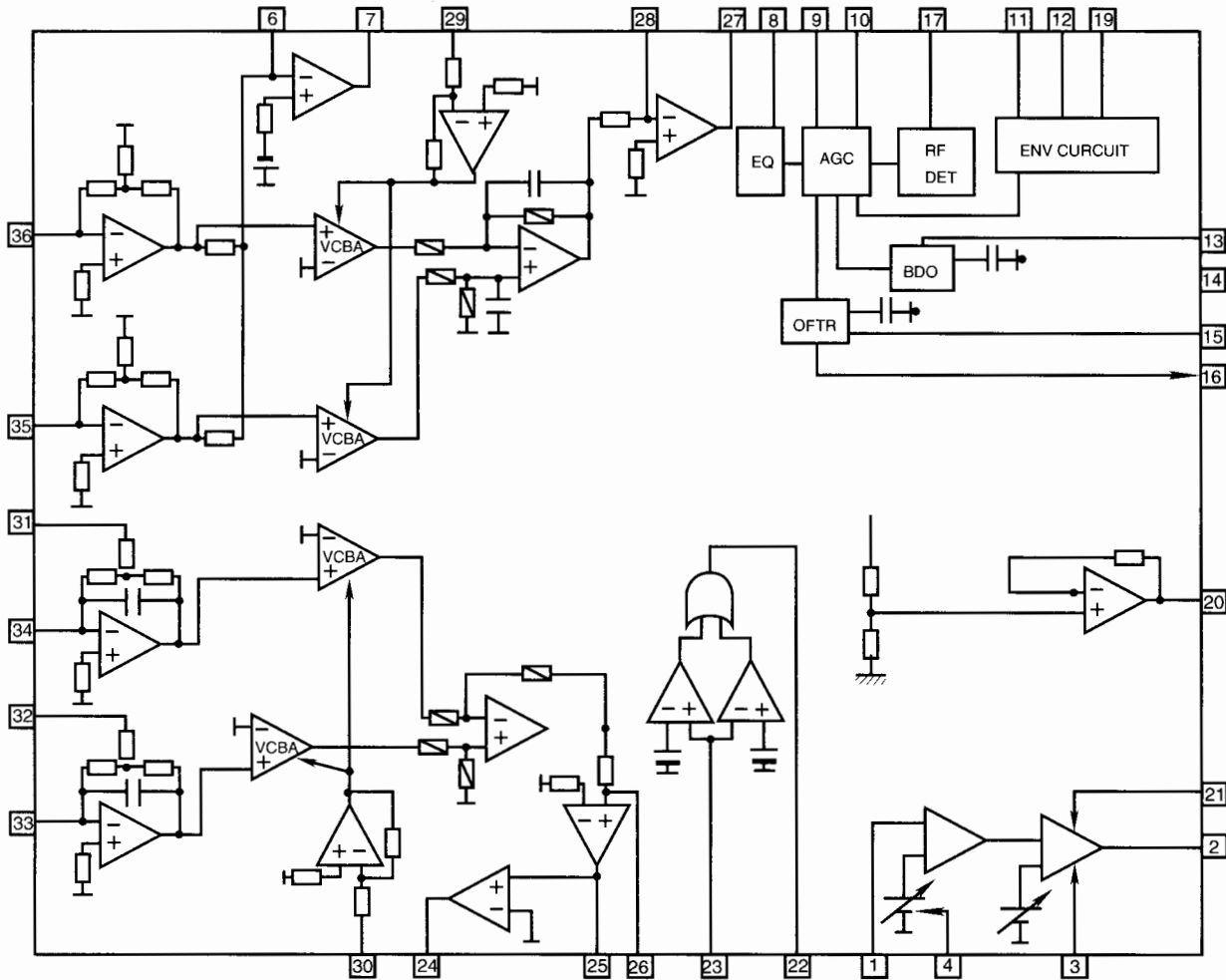


■ AN8806SB (IC601) : RF&Servo AMP

1. Terminal Layout

PD	1	36	PDAC
LD	2	35	PDBD
LDON	3	34	PDF
LDP	4	33	PDE
VCC	5	32	PDER
RF-	6	31	PDFR
RF OUT	7	30	TBAL
RF IN	8	29	FBAL
C.AGC	9	28	EF-
ARF	10	27	EF OUT
C.ENV	11	26	TE-
C.EA	12	25	TE OUT
CS BDO	13	24	CROSS
BDO	14	23	TE BPF
CS BRT	15	22	VDET
OFTR	16	21	LD OFF
/NRFDET	17	20	VREF
GND	18	19	ENV

2. Block Diagram

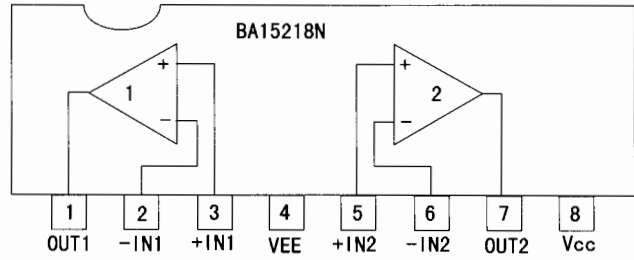
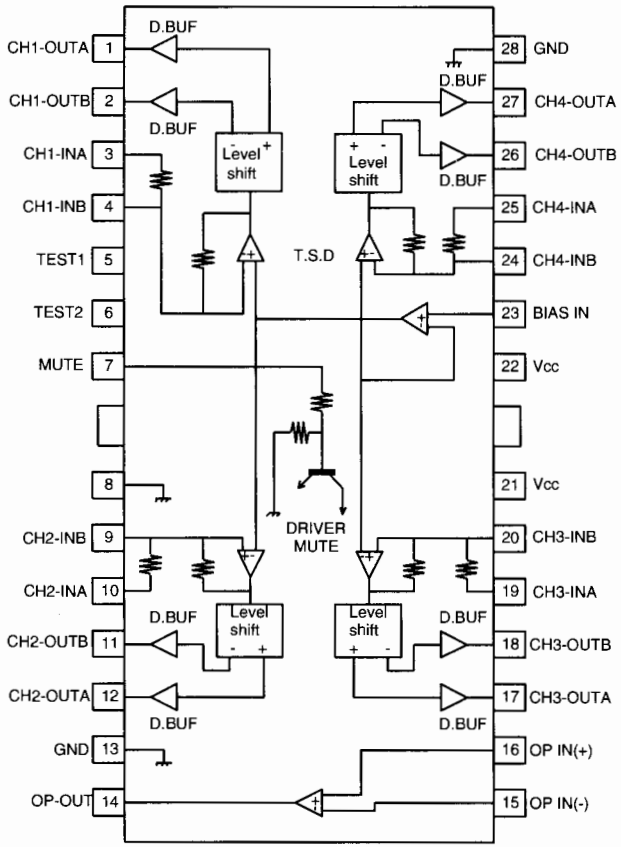


## 3. Functions

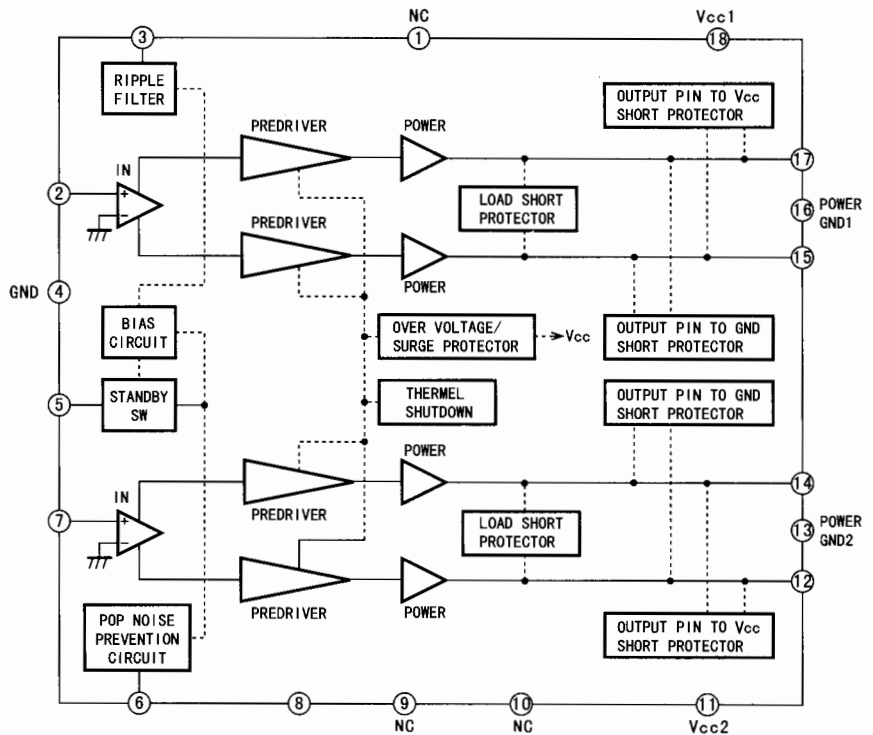
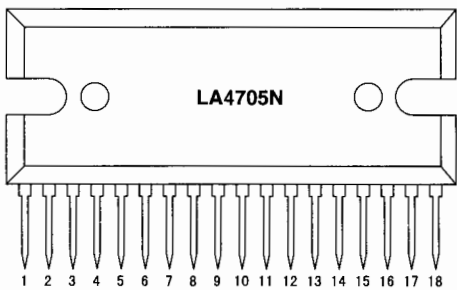
Pin No.	Symbol	I/O	Functions and operations
1	PD	I	APC amp input terminal
2	LD	O	APC amp output terminal
3	LD ON	I	APC ON/OFF control terminal
4	LDP	--	Connect to ground
5	VCC	--	Power supply
6	RF-	I	Inverse input pin for RF amp
7	RF OUT	O	RFamp output
8	RF IN	I	RF input
9	C.AGC	I/O	Connecting pin of AGC loop filter
10	ARF	O	RF output
11	C.ENV	I/O	A capacitor is connected to this terminal to detect the envelope of RF signal
12	C.EA	I/O	A capacitor is connected to this terminal to detect the envelope of RF signal
13	CS BDO	I/O	A capacitor is connected to detect the lower envelope of RF signal
14	BDO	O	BDO output pin
15	CS BRT	I/O	A capacitor is connected to detect the lower envelope of RF signal
16	OFTR	O	Of-track status signal output
17	/NRFDET	O	RF detection signal output
18	GND	--	Ground
19	ENV	O	Envelope output
20	VREF	O	Reference voltage output
21	LD OFF	--	Connect to ground
22	VDET	O	Vibration detection signal output
23	TE BPF	I	Input pin of tracking error through BPF
24	CROSS	O	Tracking error cross output
25	TE OUT	O	Tracking error signal output
26	TE-	I	Inverse input pin for tracking error amp
27	FE OUT	O	Output pin of focus error
28	FE-	I	Inverse input pin for focus error amp
29	FBAL	I	Focus balance control
30	TBAL	I	Tracking balance control
31	PDFR	I/O	F I-V amp gain control
32	PDER	I/O	E I-V amp gain control
33	PDF	I	I-V amp input
34	PDE	I	I-V amp input
35	PD BD	I	I-V amp input
36	PD AC	I	I-V amp input

■ BA6897FP (IC602) : 4channel driver

■ BA15218N (IC801/IC831) : Dual op amplifier

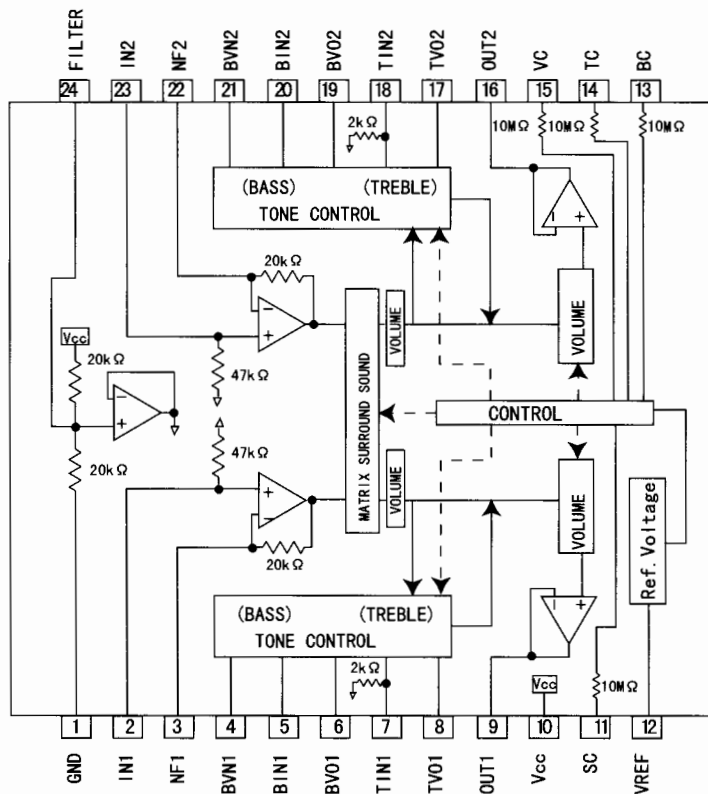


■ LA4705NA (IC631) : power amplifier



## ■ BH3852S (IC501) : E.Volume

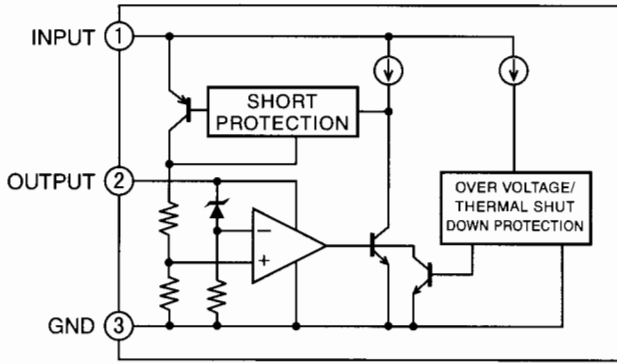
### 1. Block diagram



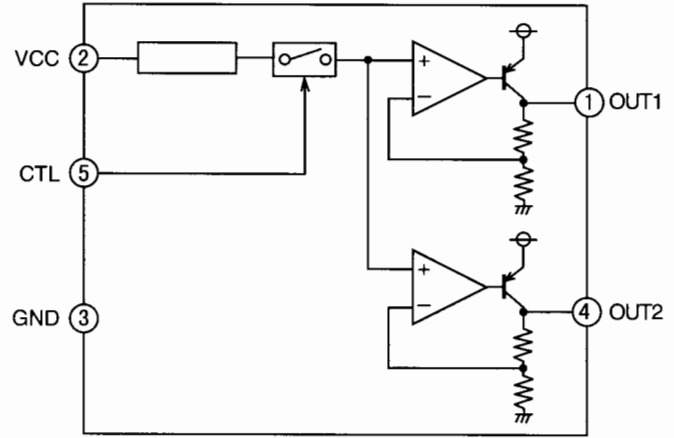
### 2. Pin function

Pin No.	Pin name	I/O	Function	Pin No.	Pin name	I/O	Function
1	GND	-	Grand terminal	13	BASS	I	Terminal for bass control
2	IN1	I	Terminal for 1ch volume input	14	TRE	I	Terminal for treble control
3	NF1	I	Terminal for gain adjustment of input step amp.	15	VOL	I	Terminal for volume control
4~6	BASS1	-	Terminal for connection of 1ch low-frequency filter	16	OUT2	O	Terminal for 2ch volume output
7.8	TRE1	-	Terminal for connection of 1ch High frequency filter	17.18	TRE2	-	Terminal for connection of 2ch high-frequency filter
9	OUT1	O	Terminal for 1ch volume output	19~21	BASS2	-	Terminal for connection of 2ch low-frequency filter
10	VCC	-	Terminal for power supply	22	NF2	I	Terminal for gain adjustment of input step amp.
11	LIVE	-	Terminal for surround control	23	IN2	I	Terminal for 2ch volume output
12	VREF	O	Terminal for reference voltage output	24	VSET	-	Terminal for filter

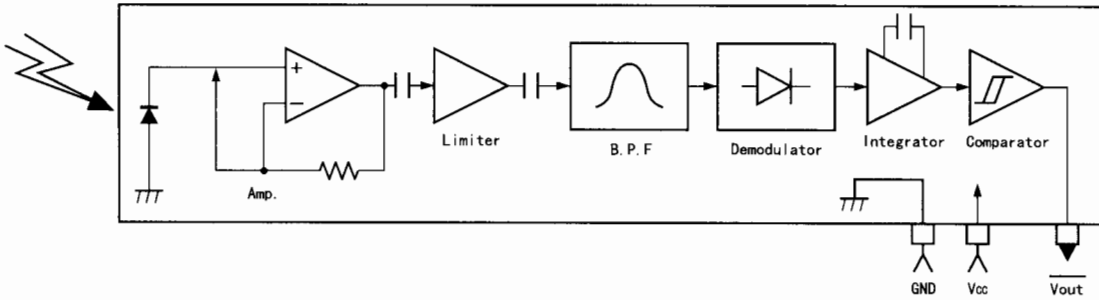
■ TA78DL06S(IC390) : Regulator



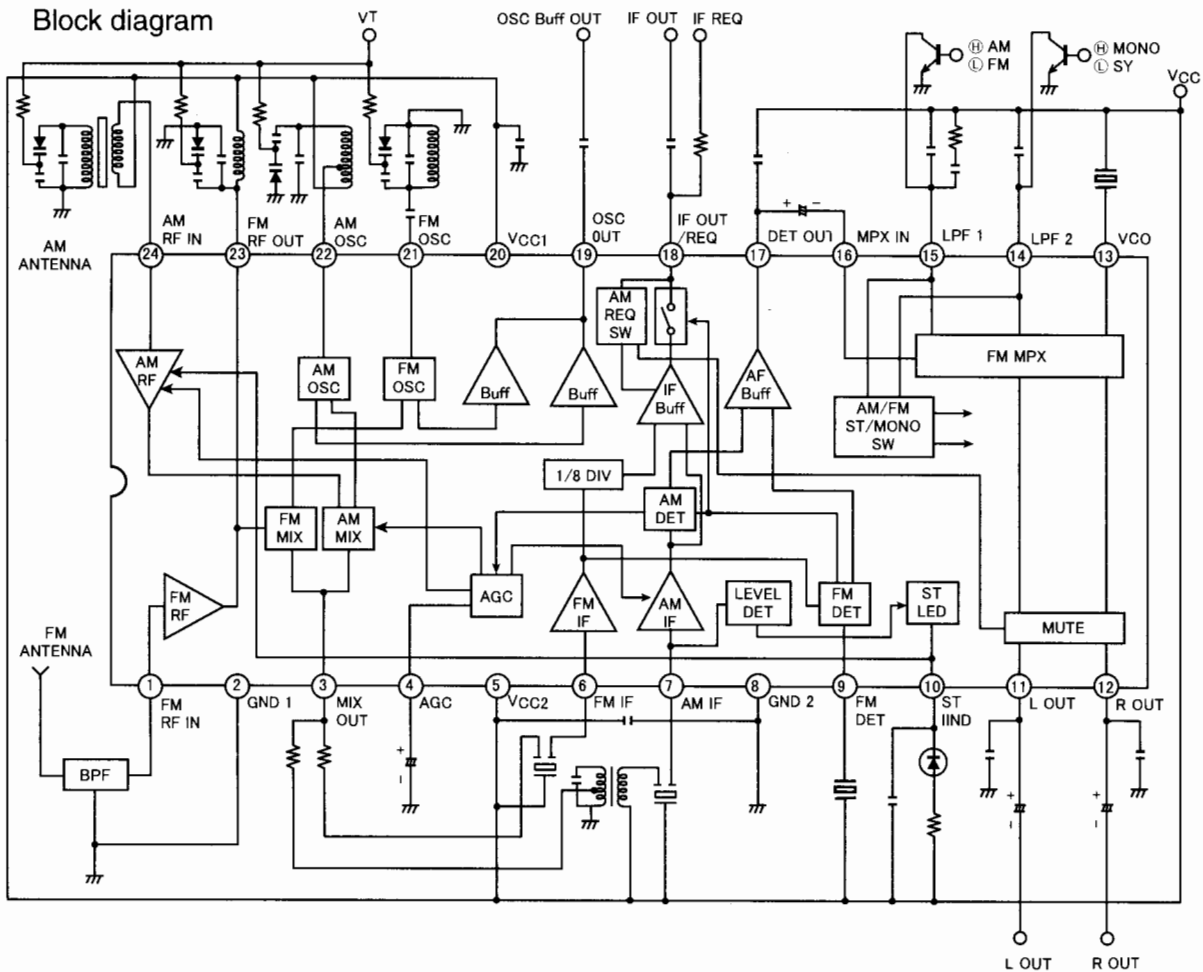
■ BA44W12ST-V5(IC310):Regulator



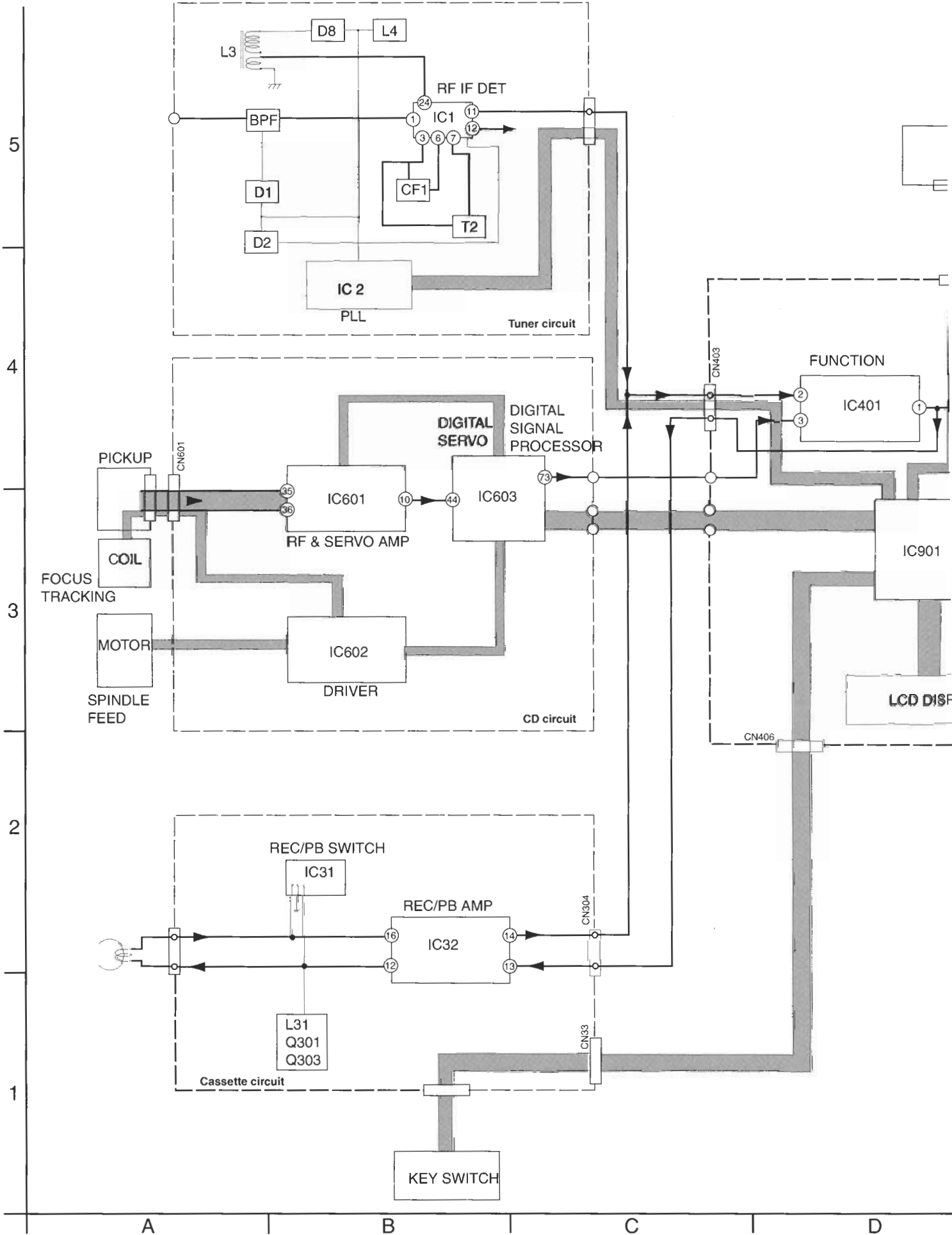
■ GP1U281X(IC903) : Remocon sensor

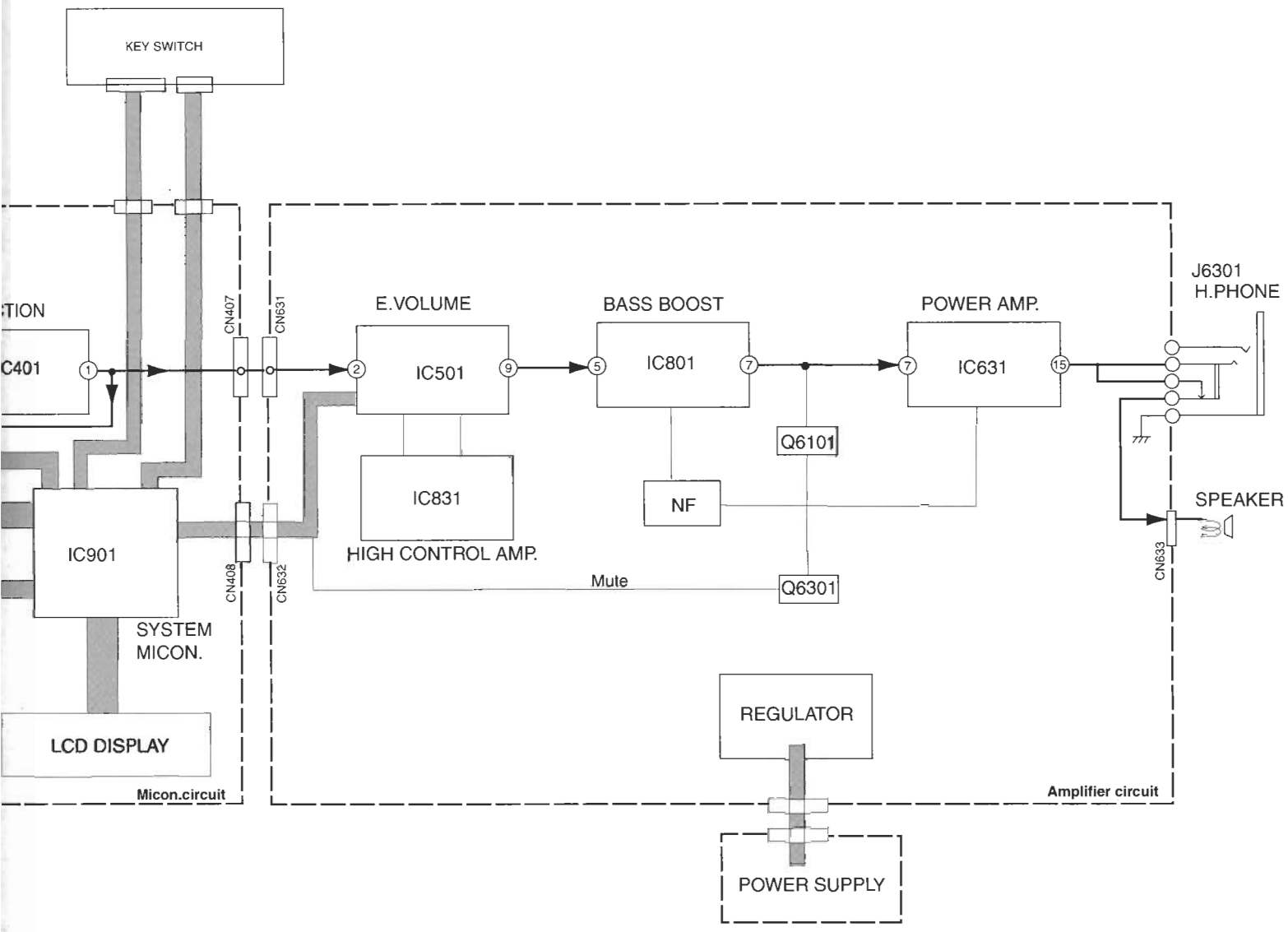


■ TA2008AN (IC 1): FM/AM,IF/DET



# Block diagrams

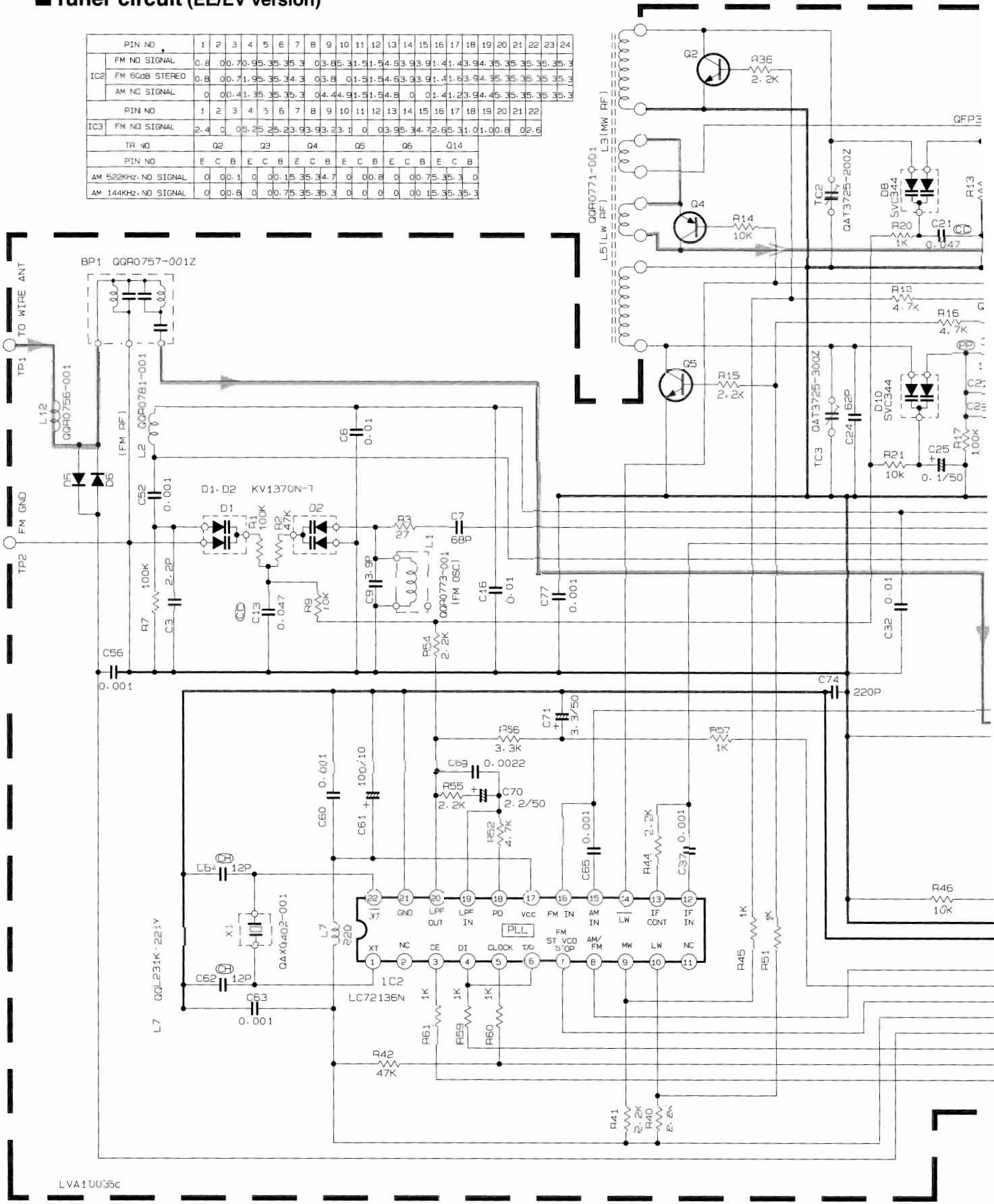




# Standard schematic diagrams

## ■ Tuner circuit (EE/EV version)

PIN NO	1	2	3	4	5	6	7	8	9	10	11	12	13	14	15	16	17	18	19	20	21	22	23	24
IC2 FM NO SIGNAL	0.8	0.0	0.70	95.35	35.3	0.3	65.31	51.54	63.93	91.41	43.94	35.35	35.35	35.3	0	0	0	0	0	0	0	0	0	0
IC2 FM 60GB STEREO	0.8	0.0	0.71	95.35	34.3	0.3	6	0.1	51.54	63.93	91.41	63.94	35.35	35.35	35.3	0	0	0	0	0	0	0	0	0
IC2 AM NC SIGNAL	0	0	0.41	35.35	35.3	0.4	4.4	91.51	54.6	0	0.1	41.23	94.45	35.35	35.35	0	0	0	0	0	0	0	0	0
IC3 FM NO SIGNAL	2.4	0	0.5	25.23	33.93	23.1	0	0.3	95.34	72.65	31.01	0.0	0.8	0	0	0	0	0	0	0	0	0	0	0
IC3 TR NO	Q2	Q3	Q4	Q5	Q6	Q14																		
IC3 PIN NO	E	C	B	E	C	B	E	C	B	E	C	B	E	C	B	E	C	B						
IC3 AM 522KHZ-NO SIGNAL	0	0	0.1	0	0.0	15.35	34.7	0	0.0	0.8	0	0.0	0.8	0	0.0	75.35	35.3	0						
IC3 AM 144KHZ-NO SIGNAL	0	0	0.8	0	0.0	75.35	35.3	0	0	0	0	0	0	0.0	15.35	35.3	0							



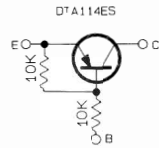
LVA10035c

Note  
VDH5232012TW  
/s/r/R523212TW



NOTES

1. VOLTAGES ARE DC-MEASURED WITH A DIGITAL VOLT METER
2. ALL RESISTORS ARE 1/8W 5% CARBON RESISTOR.
3. ALL RESISTANCE VALUES ARE IN OHMS (R)
4. ALL CAPACITANCE VALUES ARE IN PICO (P)
5. ALL E. CAPS ARE SHOWN IN THE FORM OF CAPACITANCE (P)/RATED VOLTAGE (V).
6. ALL INDUCTANCE VALUES ARE IN MICRO (M)
7. SI. DIODES (D) ARE ALL MA165 THAT CAN BE CHANGED TO SIMILAR DIODE SUCH AS 1SS254T OR HSS104T.J.
8. PARTS NO. OF TRANSISTORS ARE AS FOLLOWS.  
 Q2-Q3-Q5-Q6 2SC2668/D/ OR 2SC1923/D/  
 Q4 2SA1175/HFE/  
 Q14 DTA114ES
9. INSIDE OF DIGITAL TRANSISTOR IS SHOWN AS FOLLOWS.

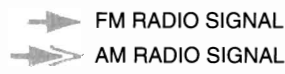
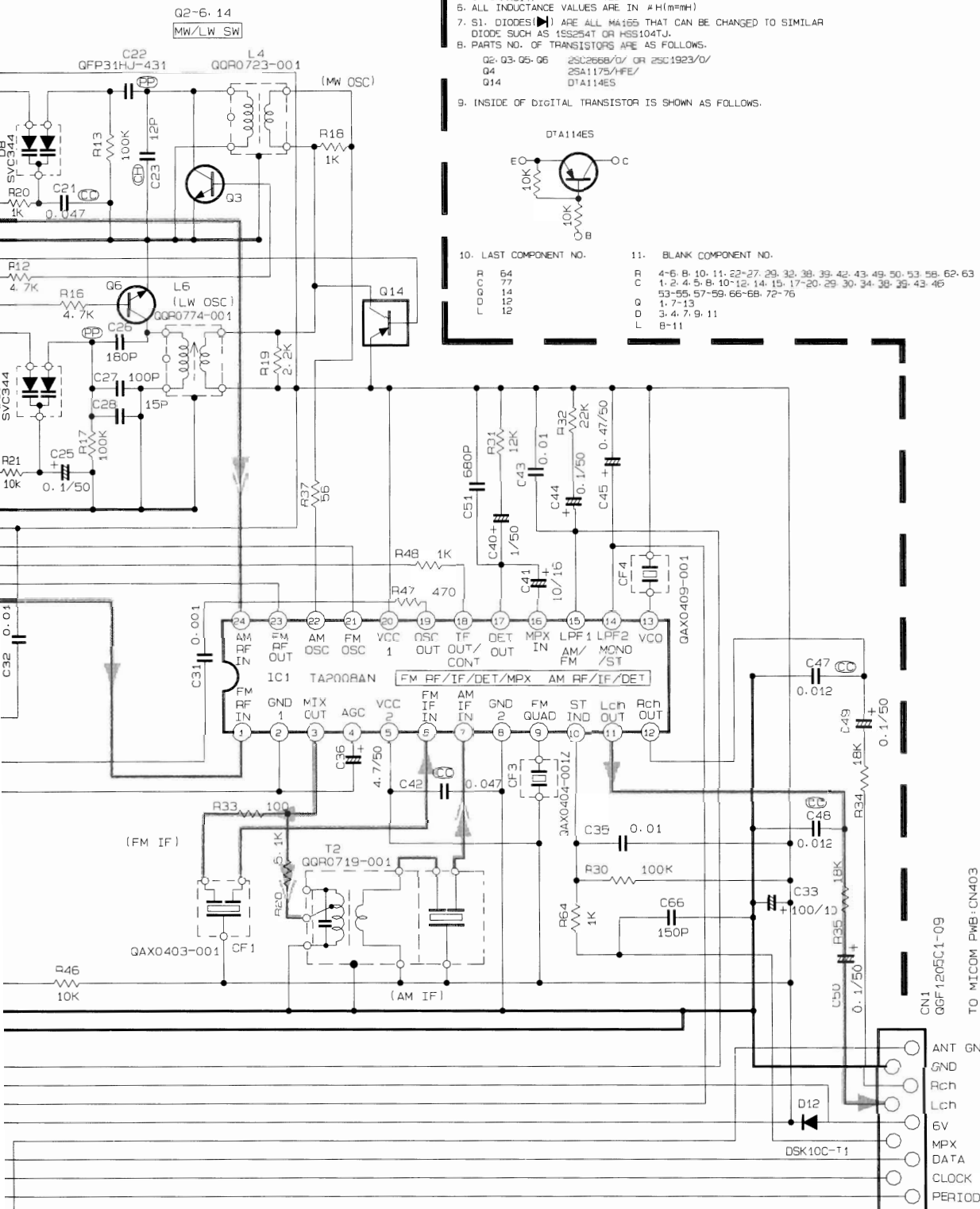


10. LAST COMPONENT NO.

- R 64
- C 77
- D 12

11. BLANK COMPONENT NO.

- R 4-6 B 10 11 22-27 29 33 38 39 42 43 49 50 53 58 62-63
- C 1-2 4 5 8 10-12 14 15 17-20 29 30 34 35 43-46
- D 53-55 57-59 66-68 72-76
- Q 1-7-13
- D 3-4 7-9 11
- L 8-11



# Tuner circuit (A/J version)

PIN NO		1	2	3	4	5	6	7	8	9	10	11	12	
IC1	FM NO SIGNAL	0	0.8	0	2.9	3.2	2.6	3.2	0	0	2.4	1.2	1.2	
	FM 60dB STEREO	0	0.8	0	2.9	3.1	2.5	3.1	0	0.6	2.3	1.2	1.2	
	AM NO SIGNAL	0	0	1.0	3.2	3.3	2.6	0	0	0.1	2.7	1.2	1.2	
IC2	FM NO SIGNAL	2.2	0	0	0.2	5.4	0.2	2.2	2.0	0	0	0	0	
	FM NO SIGNAL	13	14	15	16	17	18	19	20	21	22	23	24	
	FM NO SIGNAL	2.0	2.2	0.7	1.1	0.8	5.1	3.1	3.2	3.2	3.2	3.2	3.2	
IC1	FM NO SIGNAL	2.1	2.1	0.7	1.4	0.7	5.1	3.0	3.1	3.1	3.1	3.1	3.1	
	FM 60dB STEREO	2.1	2.1	0.7	1.4	0.7	5.1	3.0	3.1	3.1	3.1	3.1	3.1	
	AM NO SIGNAL	0	0	0.7	1.0	0.8	5.1	3.2	3.3	3.3	3.3	3.3	3.3	
IC2	FM NO SIGNAL	0.8	0	0	2.6	5.6	1.0	1.0	0.9	0	0.6			
	TR NO	Q1												
	PIN NO	E C B												
FM NO SIGNAL	2.1	3.2	3.1											
	AM NO SIGNAL	2.3	3.3	3.2										

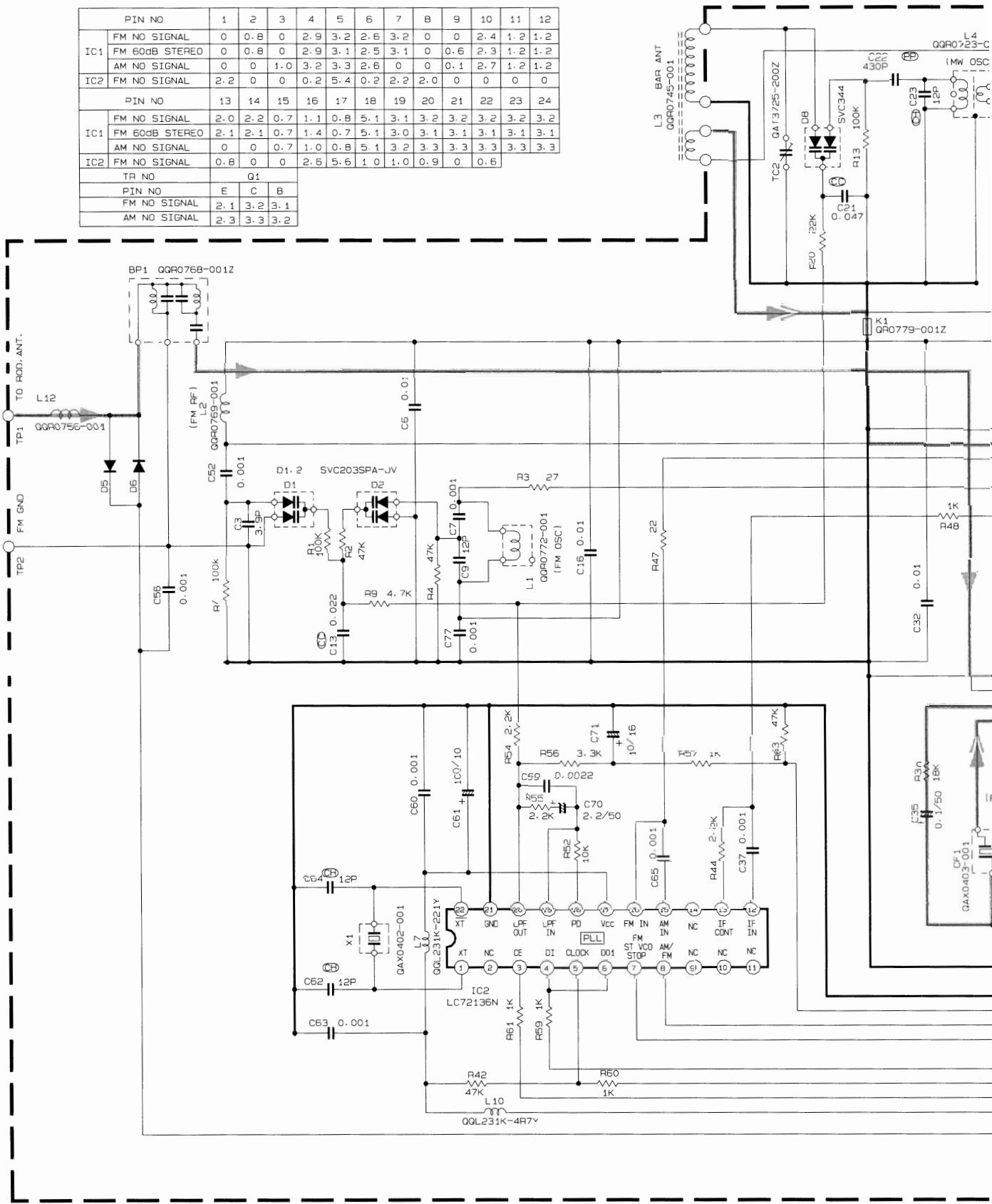
5

4

3

2

1



Note  
VDH5232006TW  
/s/r/R523206TW

A

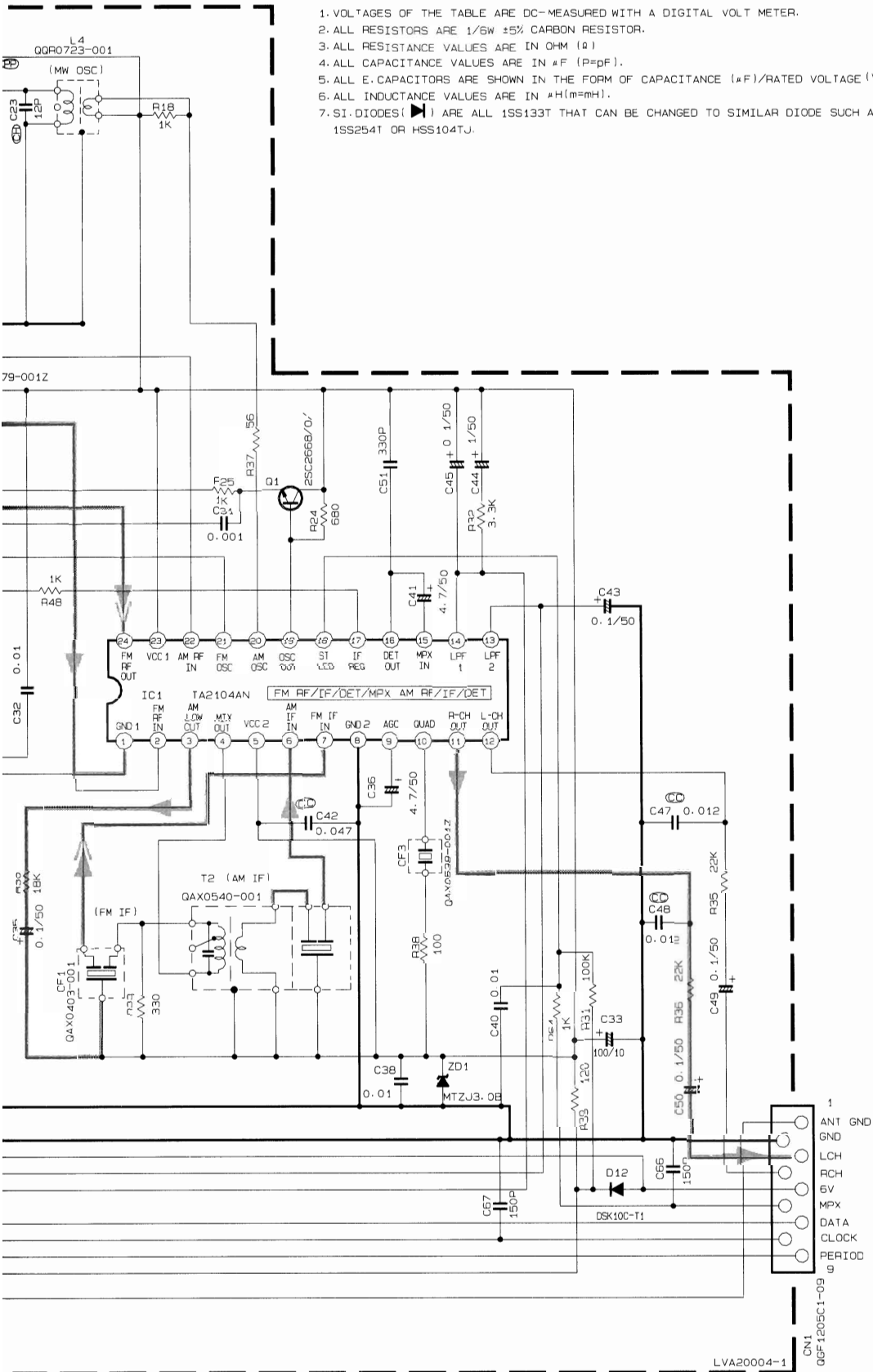
B

C

D

NOTES

1. VOLTAGES OF THE TABLE ARE DC-MEASURED WITH A DIGITAL VOLT METER.
2. ALL RESISTORS ARE 1/6w ±5% CARBON RESISTOR.
3. ALL RESISTANCE VALUES ARE IN OHM (Ω)
4. ALL CAPACITANCE VALUES ARE IN #F (P=pF).
5. ALL E. CAPACITORS ARE SHOWN IN THE FORM OF CAPACITANCE (#F)/RATED VOLTAGE (V)
6. ALL INDUCTANCE VALUES ARE IN #H(m=mH).
7. SI. DIODES (▶) ARE ALL 1SS133T THAT CAN BE CHANGED TO SIMILAR DIODE SUCH AS 1SS254T OR HSS104TJ.



FM RADIO SIGNAL  
 AM RADIO SIGNAL

TO MAIN PWB: CN403  
(VDH5232-0055V1)

■ Tuner circuit (U/UB/US/UT/UY/UX version)

△ IA-9)

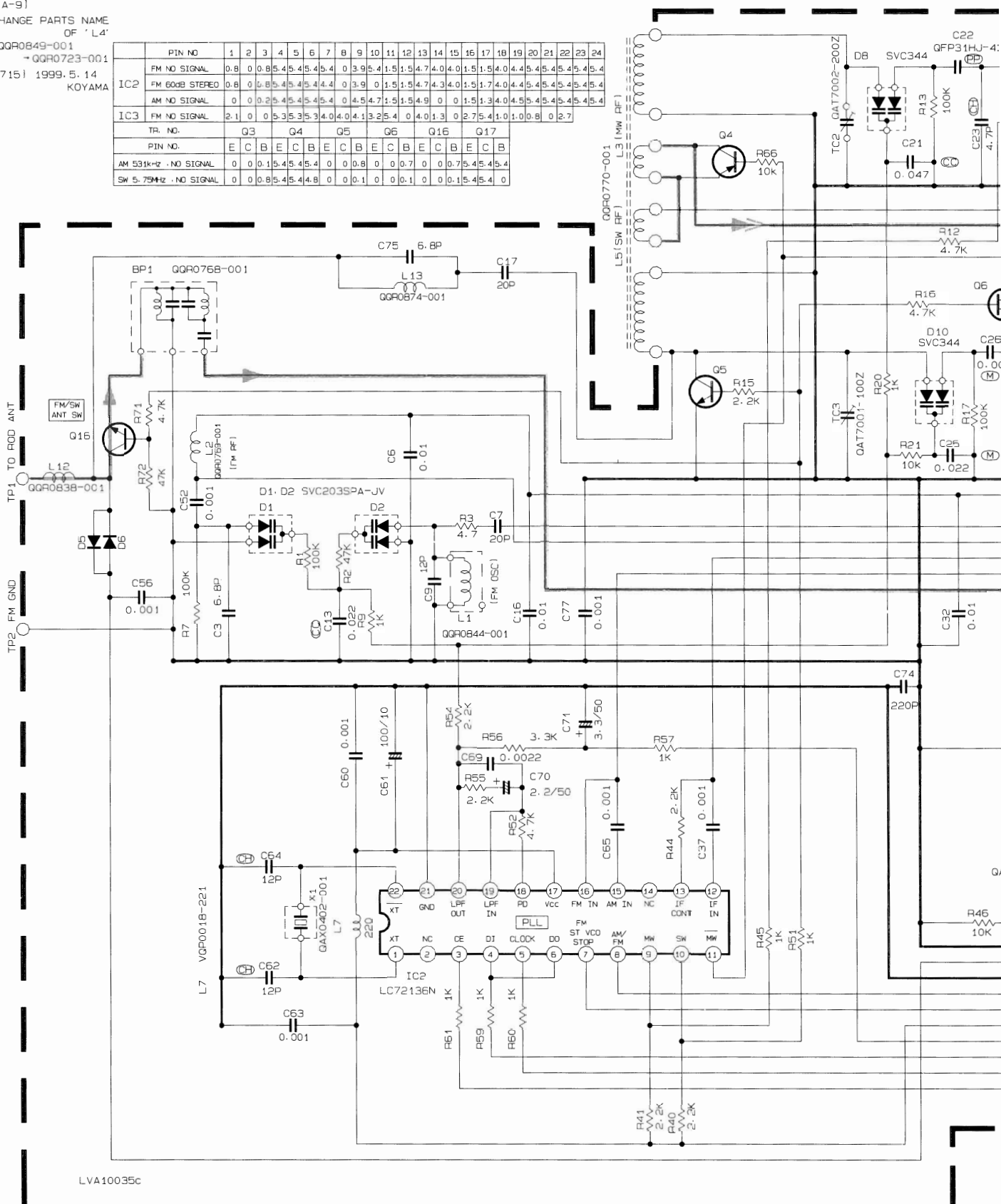
CHANGE PARTS NAME  
OF 'L4'

QQR0849-001  
→ QQR0723-001  
(A2715) 1999.5.14  
KOYAMA

PIN NO.	1	2	3	4	5	6	7	8	9	10	11	12	13	14	15	16	17	18	19	20	21	22	23	24
FM NO SIGNAL	0.8	0	0.8	5.4	5.4	5.4	5.4	0	3.9	5.4	1.5	1.5	4.7	4.0	4.0	1.5	1.5	4.0	4.4	5.4	5.4	5.4	5.4	5.4
IC2 FM 60dB STEREO	0.6	0	0.6	5.4	5.4	5.4	4.4	0	3.9	0	1.5	1.5	4.7	4.3	4.0	1.5	1.7	4.0	4.4	5.4	5.4	5.4	5.4	5.4
AM NO SIGNAL	0	0	0.2	5.4	5.4	5.4	5.4	0	4.5	4.7	1.5	1.5	4.9	0	0	1.5	1.3	4.0	4.5	5.4	5.4	5.4	5.4	5.4
IC3 FM NO SIGNAL	2.1	0	0	5.3	5.3	5.3	4.0	4.0	4.1	3.2	5.4	0	4.0	1.3	0	2.7	5.4	1.0	1.0	0.8	0	2.7		

TR. NO.	Q3	Q4	Q5	Q6	Q16	Q17
PIN NO.	E	C	B	E	C	B
AM 531K+Hz · NO SIGNAL	0	0	1.5	4.5	4.5	4.0
SW 5.75MHz · NO SIGNAL	0	0	0.8	5.4	4.8	0



LVA10035c

Note  
VDH523200T  
s/r/R523207TW

A

B

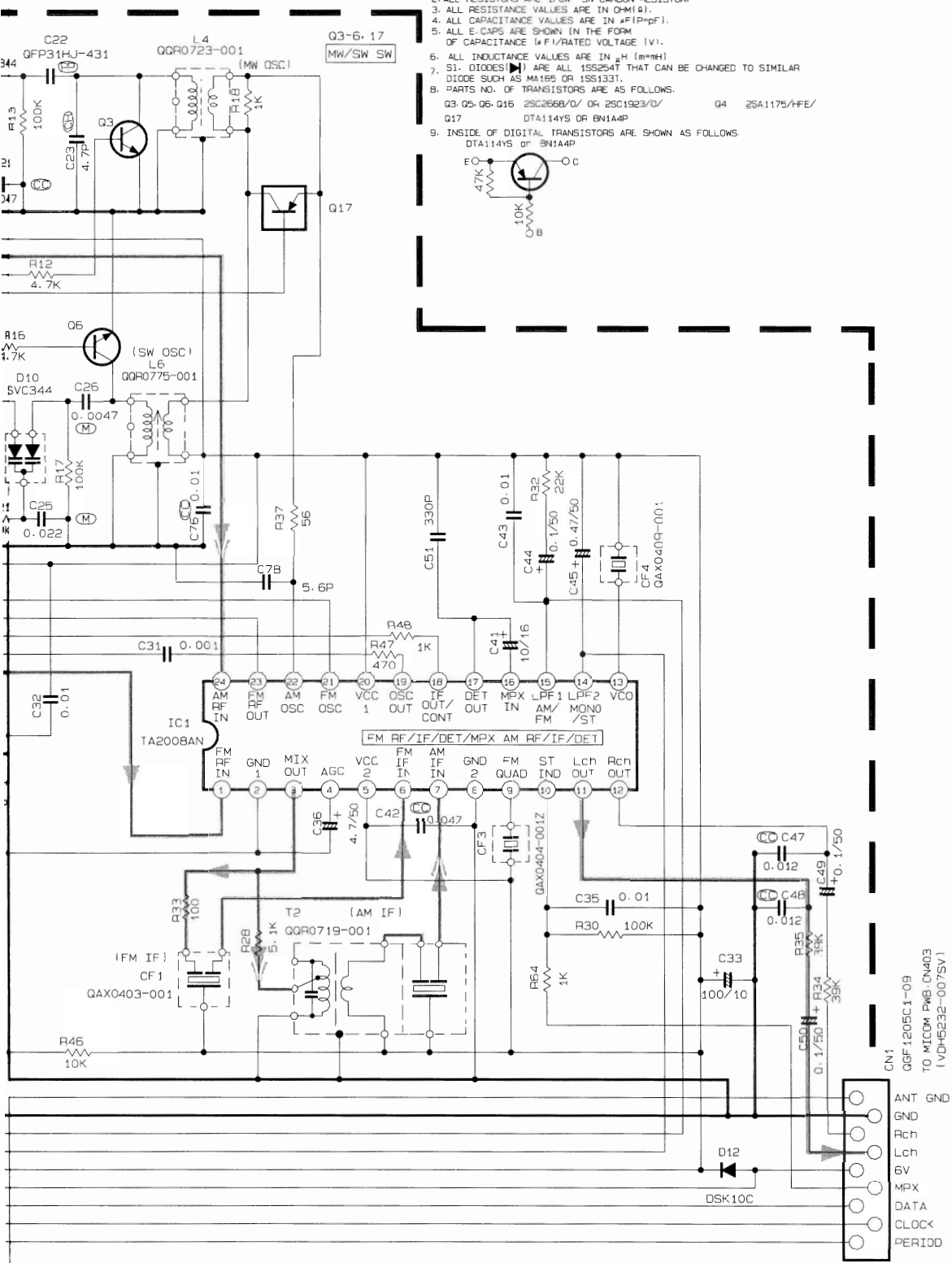
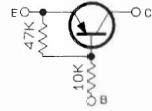
C

34

D

NOTES

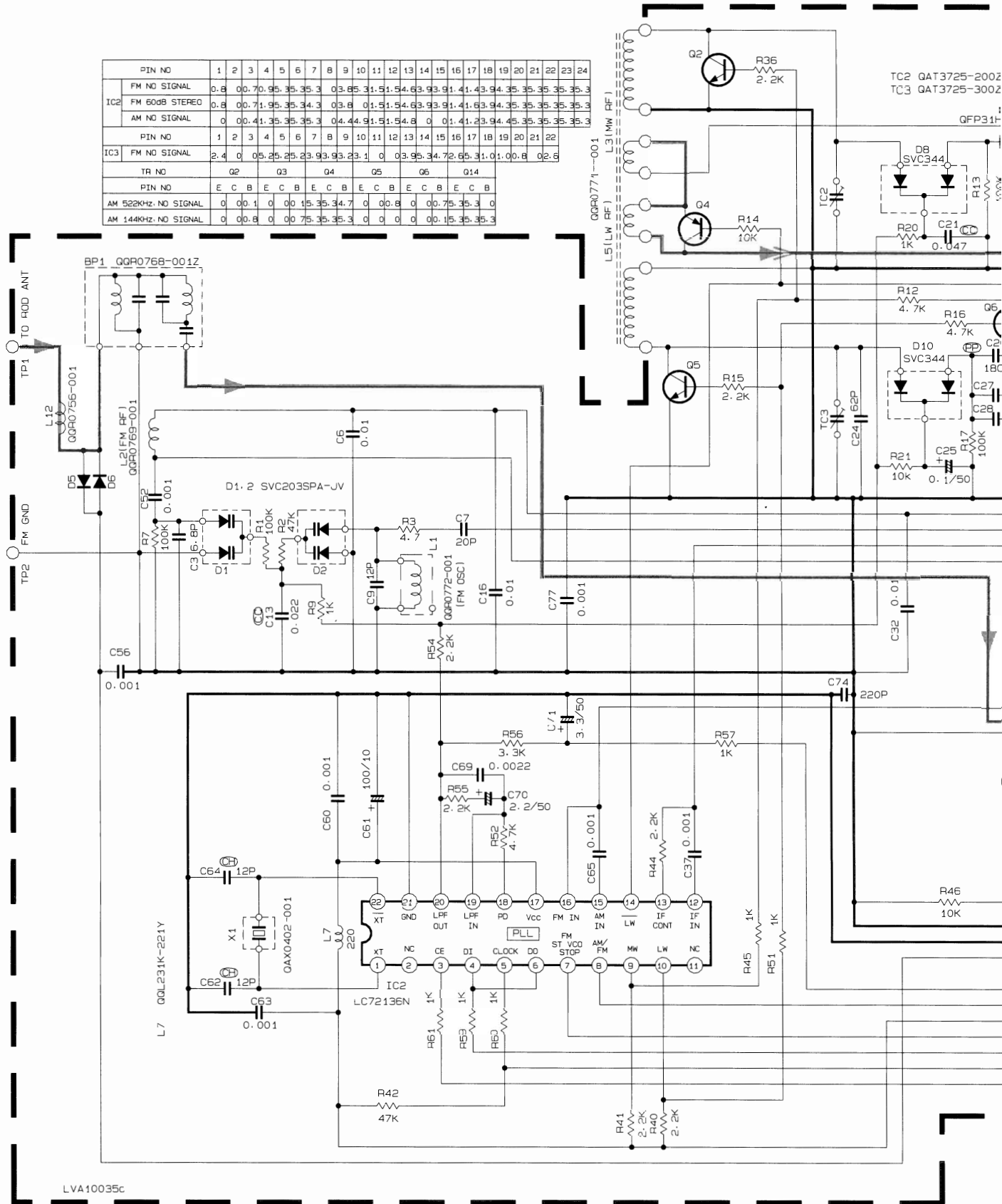
1. VOLTAGES ARE DC-MEASURED WITH A DIGITAL VOLT METER
2. ALL RESISTORS ARE 1/8W 5% CARBON RESISTOR.
3. ALL RESISTANCE VALUES ARE IN OHMS (Ω).
4. ALL CAPACITANCE VALUES ARE IN PICO (pF).
5. ALL E. CAPS ARE SHOWN IN THE FORM OF CAPACITANCE (μF)/RATED VOLTAGE (V).
6. ALL INDUCTANCE VALUES ARE IN μH (μMH).
7. S1. DIODES (D1) ARE ALL 1SS254T THAT CAN BE CHANGED TO SIMILAR DIODE SUCH AS MA165 OR 1SS133T.
8. PARTS NO. OF TRANSISTORS ARE AS FOLLOWS:  
 Q3-Q5-Q6-Q16 2SC2668/D/ OR 2SC1923/D/      Q4 2SA1175/HFE/  
 Q17            DTA114YS OR BN1A4P
9. INSIDE OF DIGITAL TRANSISTORS ARE SHOWN AS FOLLOWS  
 DTA114YS OR BN1A4P



FM RADIO SIGNAL  
 AM RADIO SIGNAL

# Tuner circuit(B/E/EN version)

PIN NO	1	2	3	4	5	6	7	8	9	10	11	12	13	14	15	16	17	18	19	20	21	22	23	24
IC2	FM NO SIGNAL	0.8	0.0	7.0	9.5	3.5	3.5	3.3	0.3	8.5	3.1	5.1	5.4	6.3	9.3	9.1	4.1	4.3	9.4	3.5	3.5	3.5	3.5	3.3
	FM 60dB STEREO	0.8	0.0	7.1	9.5	3.5	3.4	3.3	0.3	8	0.1	5.1	5.4	6.3	9.3	9.1	4.1	4.3	9.4	3.5	3.5	3.5	3.5	3.3
	AM NO SIGNAL	0	0.0	4.1	3.5	3.5	3.5	3.3	0.4	4.4	9.1	5.1	5.4	6	0	0.1	4.1	2.3	9.4	4.5	3.5	3.5	3.5	3.3
PIN NO	1	2	3	4	5	6	7	8	9	10	11	12	13	14	15	16	17	18	19	20	21	22		
IC3	FM NO SIGNAL	2.4	0	0.5	2.5	2.3	9.3	9.3	2.3	1	0	0.3	9.5	3.4	7.2	6.5	3.1	0.1	0.0	6	0.2	6		
	TR NO	02	03						04	05		06	014											
PIN NO	E	C	B	E	C	B	E	C	B	E	C	B	E	C	B	E	C	B						
AM 522KHZ. NO SIGNAL	0	0.0	1	0	0.0	1.5	3.5	3.4	7	0	0.0	6	0	0.0	7.5	3.5	3	0						
AM 144KHZ. NO SIGNAL	0	0.0	6	0	0.0	7.5	3.5	3.5	3	0	0	0	0	0.0	1.5	3.5	3.5	3						



Note  
VDH523205TW  
/s/r/R523205TW

5

4

3

2

1

A

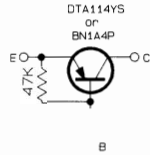
B

C

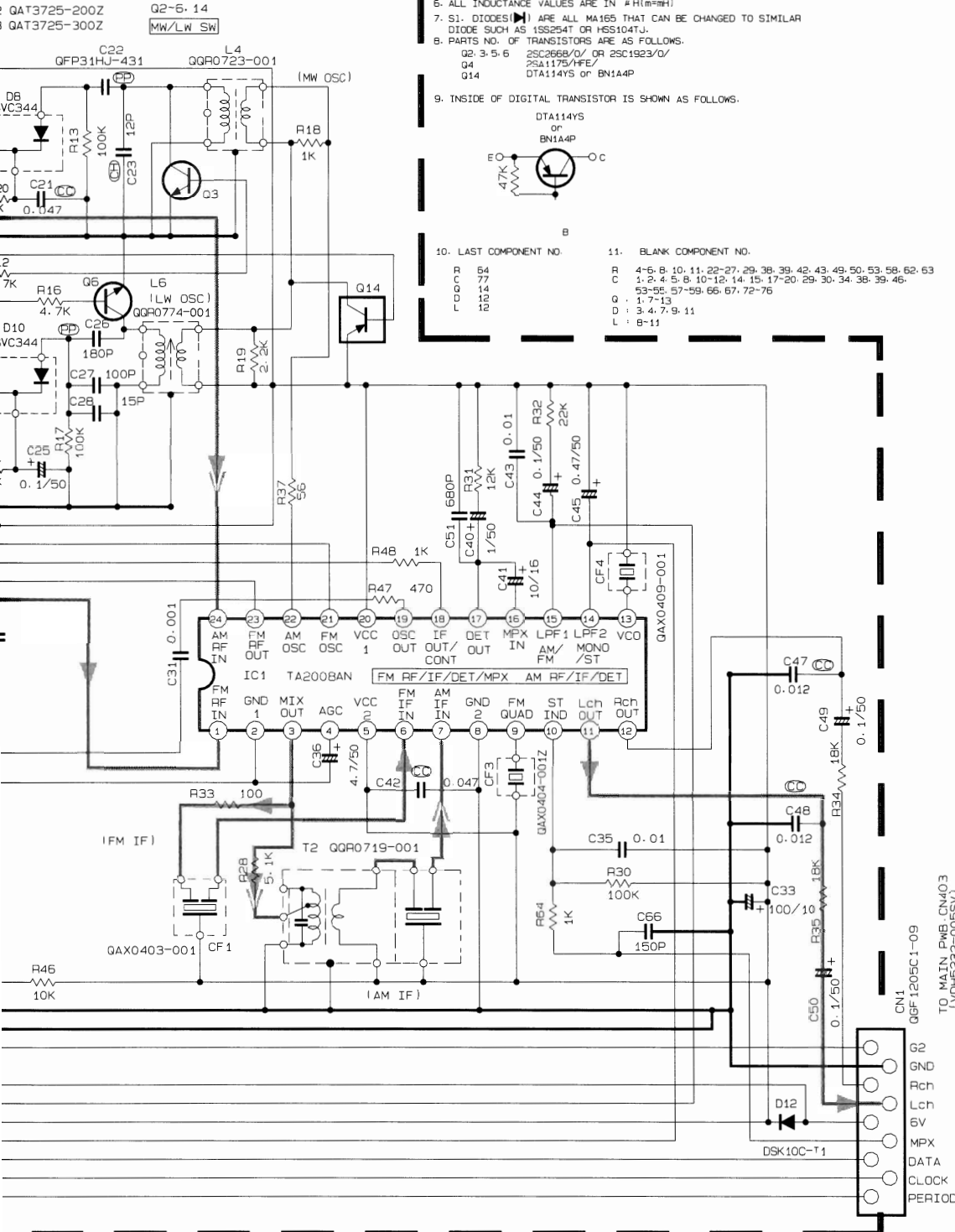
D

NOTES

1. VOLTAGES ARE DC-MEASURED WITH A DIGITAL VOLT METER
2. ALL RESISTORS ARE 1/8W 5% CARBON RESISTOR.
3. ALL RESISTANCE VALUES ARE IN OHM(S).
4. ALL CAPACITANCE VALUES ARE IN #F(#H#P#).
5. ALL E. CAPS ARE SHOWN IN THE FORM OF CAPACITANCE  $\mu$ F/RATED VOLTAGE (V).
6. ALL INDUCTANCE VALUES ARE IN #H(#M#H).
7. S1. DIODES (▶) ARE ALL MA165 THAT CAN BE CHANGED TO SIMILAR DIODE SUCH AS 1SS254T OR HSS104TJ.
8. PARTS NO. OF TRANSISTORS ARE AS FOLLOWS.  
Q2, 3, 5, 6 QSC3698/O/ OR 2SC1923/O/  
Q4 2SA1175/HFE/  
Q14 DTA114YS or BN1A4P
9. INSIDE OF DIGITAL TRANSISTOR IS SHOWN AS FOLLOWS.



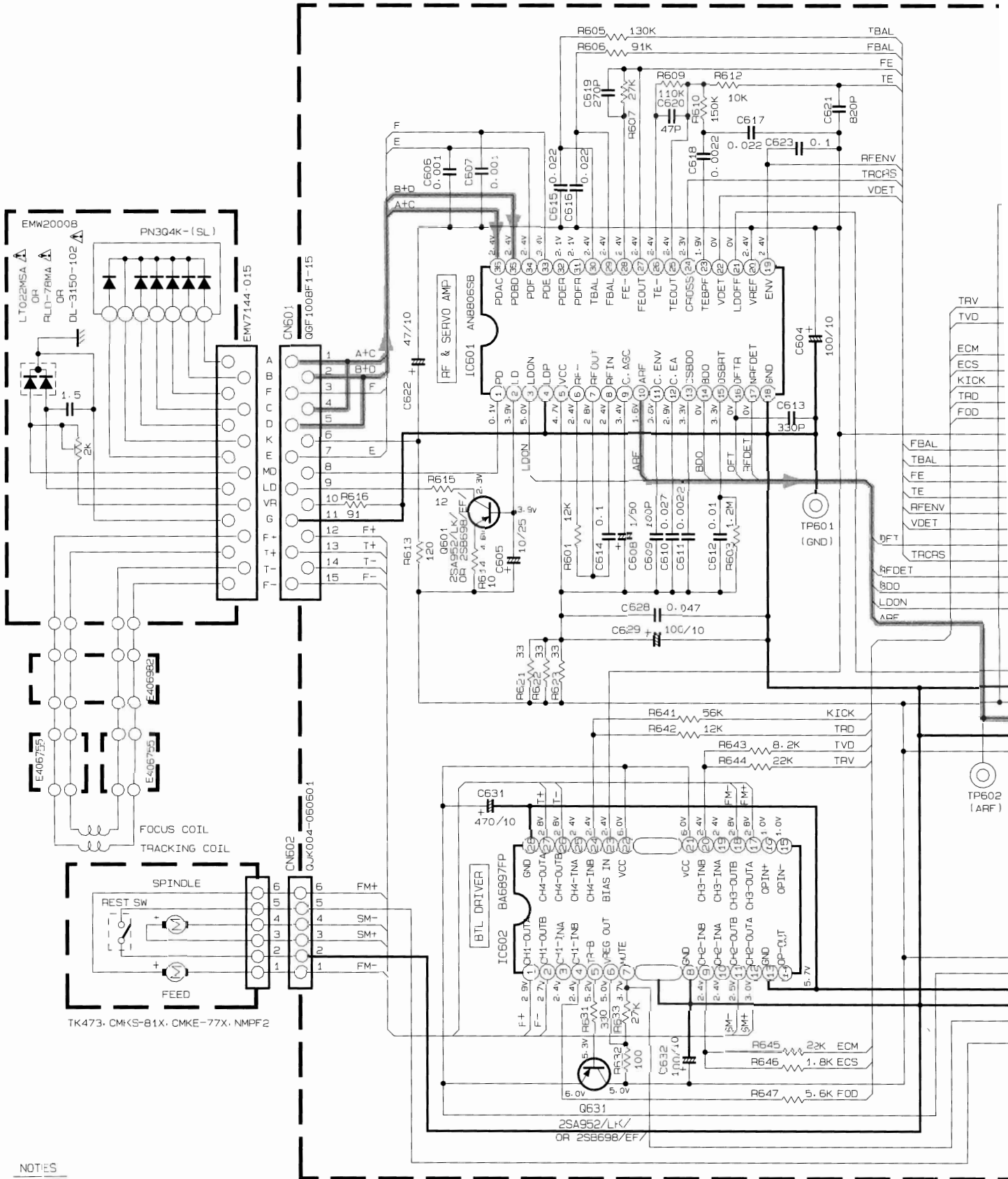
10. LAST COMPONENT NO.  
R 54  
C 77  
L 14  
D 12
11. BLANK COMPONENT NO.  
R 4-5, 8, 10, 11, 22-27, 29, 38, 39, 42, 43, 49, 50, 53, 58, 62, 63  
C 1, 2, 4, 5, 8, 10-12, 14, 15, 17-20, 29, 30, 34, 38, 39, 46,  
53-55, 57-59, 66, 67, 72-76  
Q 1, 7-13  
D 1, 3, 4, 7, 9, 11  
L 1, 8-11



FM RADIO SIGNAL  
 AM RADIO SIGNAL

CD servo circuit

5  
4  
3  
2  
1

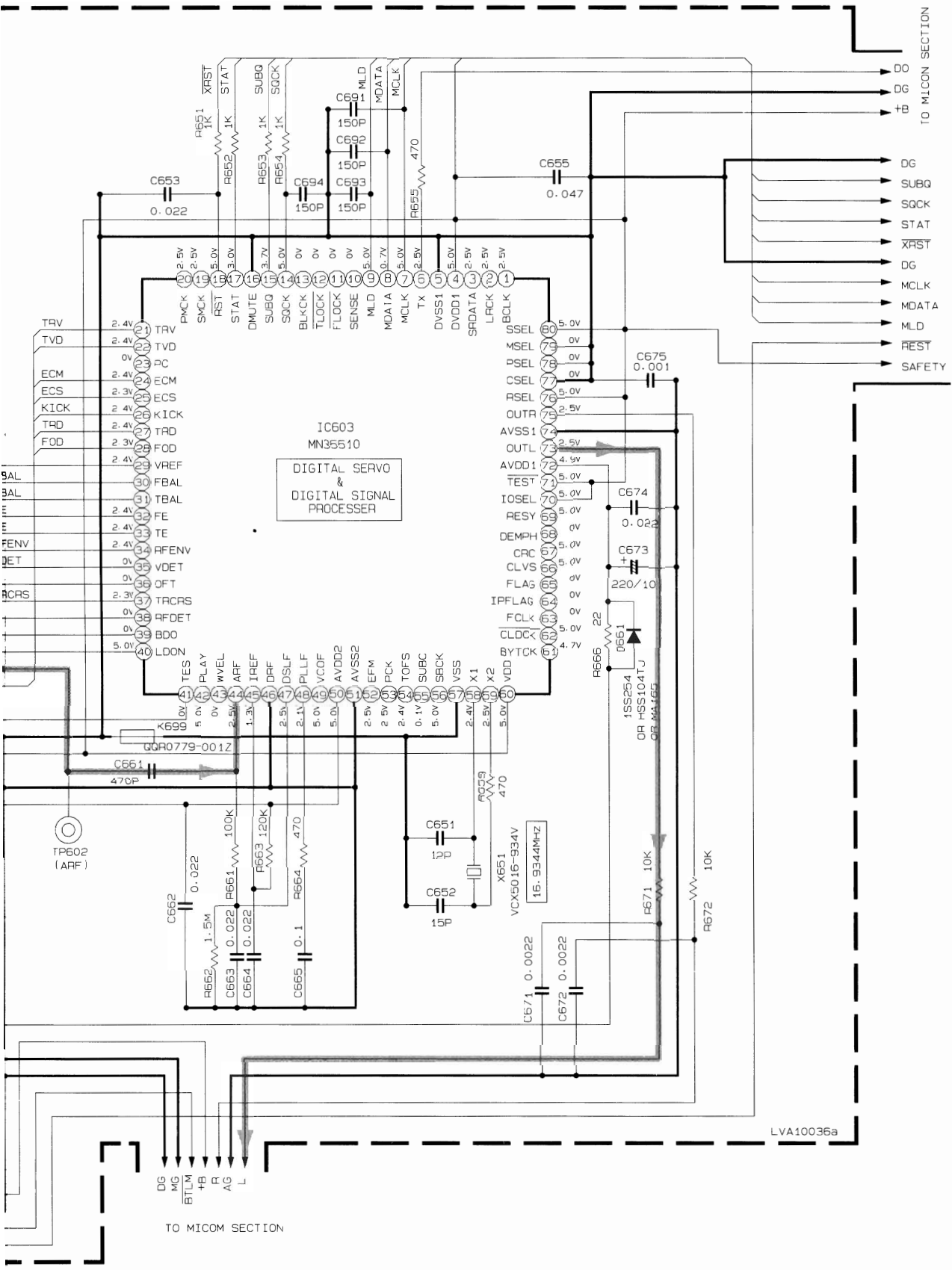


NOTES

1. VOLTAGES ARE DC-MEASURED WITH A DIGITAL VOLT METER
2. UNLESS OTHERWISE SPECIFIED, RESISTORS ARE 1/6W ±5% CARBON RESISTOR.  
 ALL RESISTANCE VALUES ARE IN OHM(Ω).  
 ALL CAPACITORS ARE CERAMIC CAPACITOR OR MYLAR CAPACITOR.  
 ALL CAPACITANCE VALUES ARE IN PICO(FP=PF).  
 ALL E-CAPACITORS ARE SHOWN IN THE FORM OF CAPACITANCE (µF)/RATED VOLTAGE (V)

Note : VDH5231001CW  
/s/r/R523101CW





TO MICOM SECTION

DO  
DG  
+B

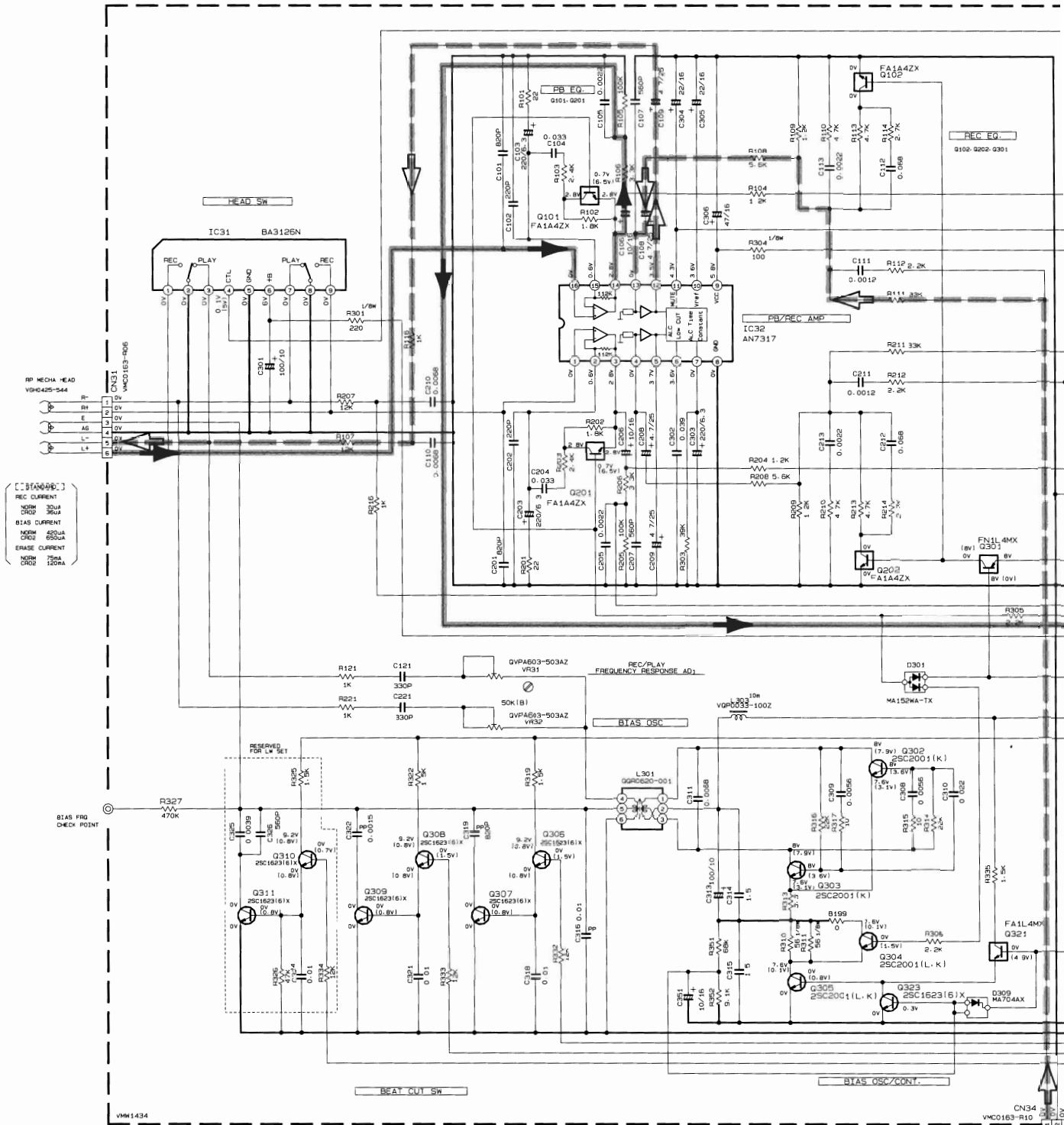
DG  
SUBQ  
SQCK  
STAT  
XRST  
DG  
MCLK  
MDATA  
MLD  
RST  
SAFETY

TO MICOM SECTION

LVA10036a

➔ CD playback signal

# ■ Cassette amplifier circuit



Note : VDH5231001PV  
R523101PV

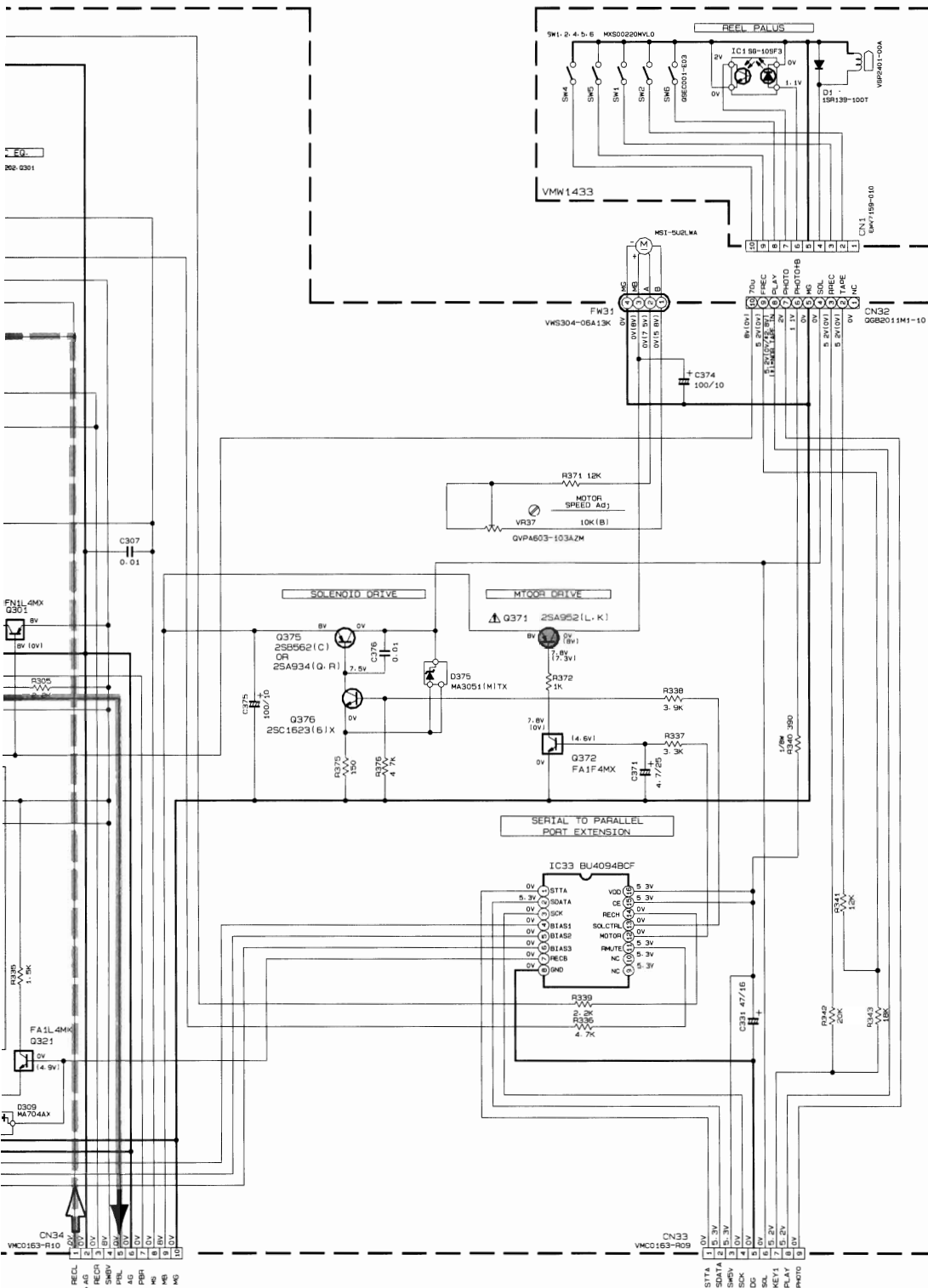
**NOTES**

1. VOLTAGES ARE DC-MEASURED WITH A DIGITAL VOLT METER OR OSCILLOSCOPE WITHOUT INPUT SIGNAL. CONDITION MECHA STOP MODE

2. UNLESS OTHERWISE SPECIFIED, RESISTORS ARE 1/10W ±5% METAL GLAZE RESISTOR. ALL RESISTANCE VALUES ARE IN OHM (Ω). ALL CAPACITORS ARE CERAMIC CAPACITOR OR MYLAR CAPACITOR. ALL CAPACITANCE VALUES ARE IN μF (μF). ALL INDUCTANCE VALUES ARE IN mH (mH). ALL E. CAPACITORS ARE SHOWN IN THE FORM OF CAPACITANCE (μF)/RATED VOLTAGE (V). POLYPROPYLENE CAPACITOR

5  
4  
3  
2  
1

A B C D

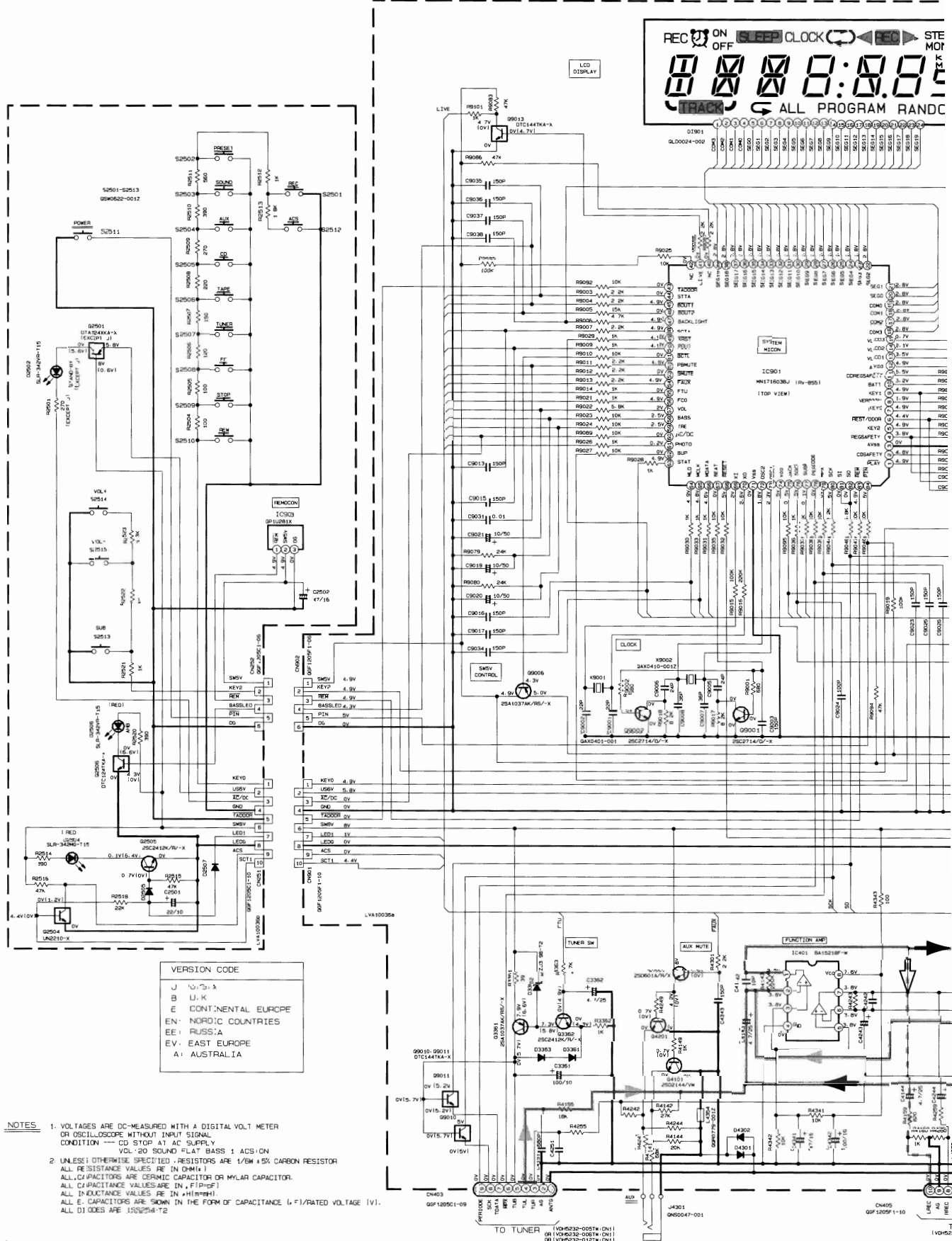


PARTS	NAME	REF. NO.
	FA144ZX	G101, G201 G102, G202
	FA1L4MX	G301
	FA1L4MX	G321
	FA1F4MX	G371

Playback signal  
 Recording signal

Parts are safety assurance parts.  
 When replacing those parts make sure to use the specified one.

System micro processor circuit (A/B/E/EE/EN/EV/J version)

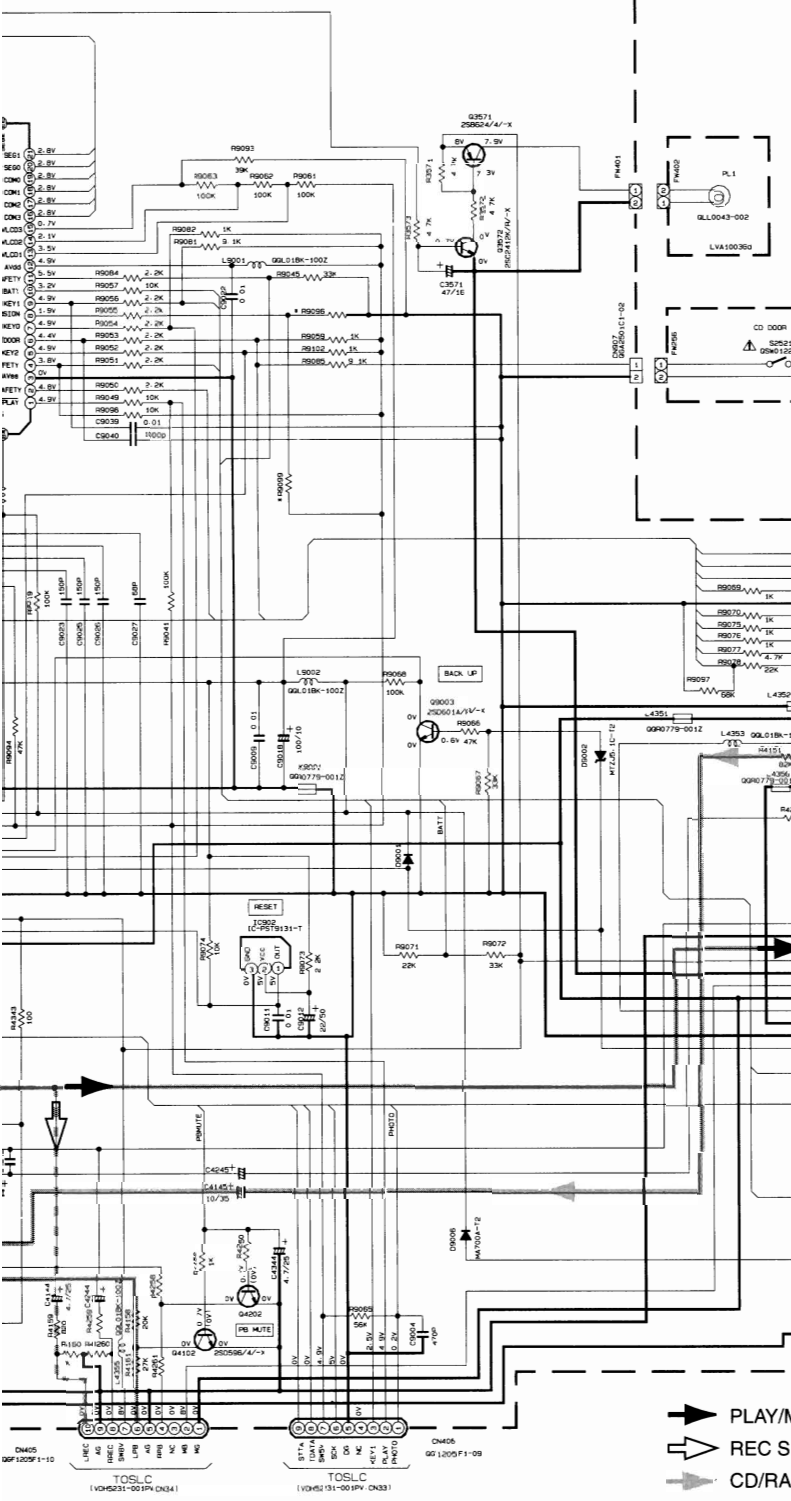


- NOTES**
- VOLTAGES ARE DC-MEASURED WITH A DIGITAL VOLT METER OR OSCILLOSCOPE WITHOUT INPUT SIGNAL. CONDITION --- CD STOP AT AC SUPPLY. VOL=20 SOUND FLAT BASS 1 ACS ON.
  - UNLESS OTHERWISE SPECIFIED, RESISTORS ARE 1/8W 4% CARBON RESISTOR. ALL RESISTANCE VALUES ARE IN OHM (Ω). ALL CAPACITORS ARE CERAMIC CAPACITOR OR MYLAR CAPACITOR. ALL CAPACITANCE VALUES ARE IN PICO (pF). ALL INDUCTANCE VALUES ARE IN MILLI (mH). ALL ELECTROLYTIC CAPACITORS ARE SHOWN IN THE FORM OF CAPACITANCE (μF)/RATED VOLTAGE (V). ALL DIODES ARE 1S525H-T2.



Note  
VDH5232006S  
LVS20011001A  
/S/R/R523206S

STEREO MONO  
**7.85**  
 KHZ  
 MHz  
 AM RANDOM



4L131

J	R9006	R9009
E/B/EN	10K	OPEN
EE/EV	100K	39K
A	68K	100K

TO CD SECTION  
 (1048211-10104)

TO MAIN PWB  
 (1048232-10244, 1048231)

TO MAIN PWB  
 (1048232-10244, 1048231)

- ▶ PLAY/MAIN SIGNAL
- ◀ REC SIGNAL
- ◀ CD/RADIO SIGNAL





■ Main amplifier circuit (A/B/E/EE/EN/EV/J/ version)

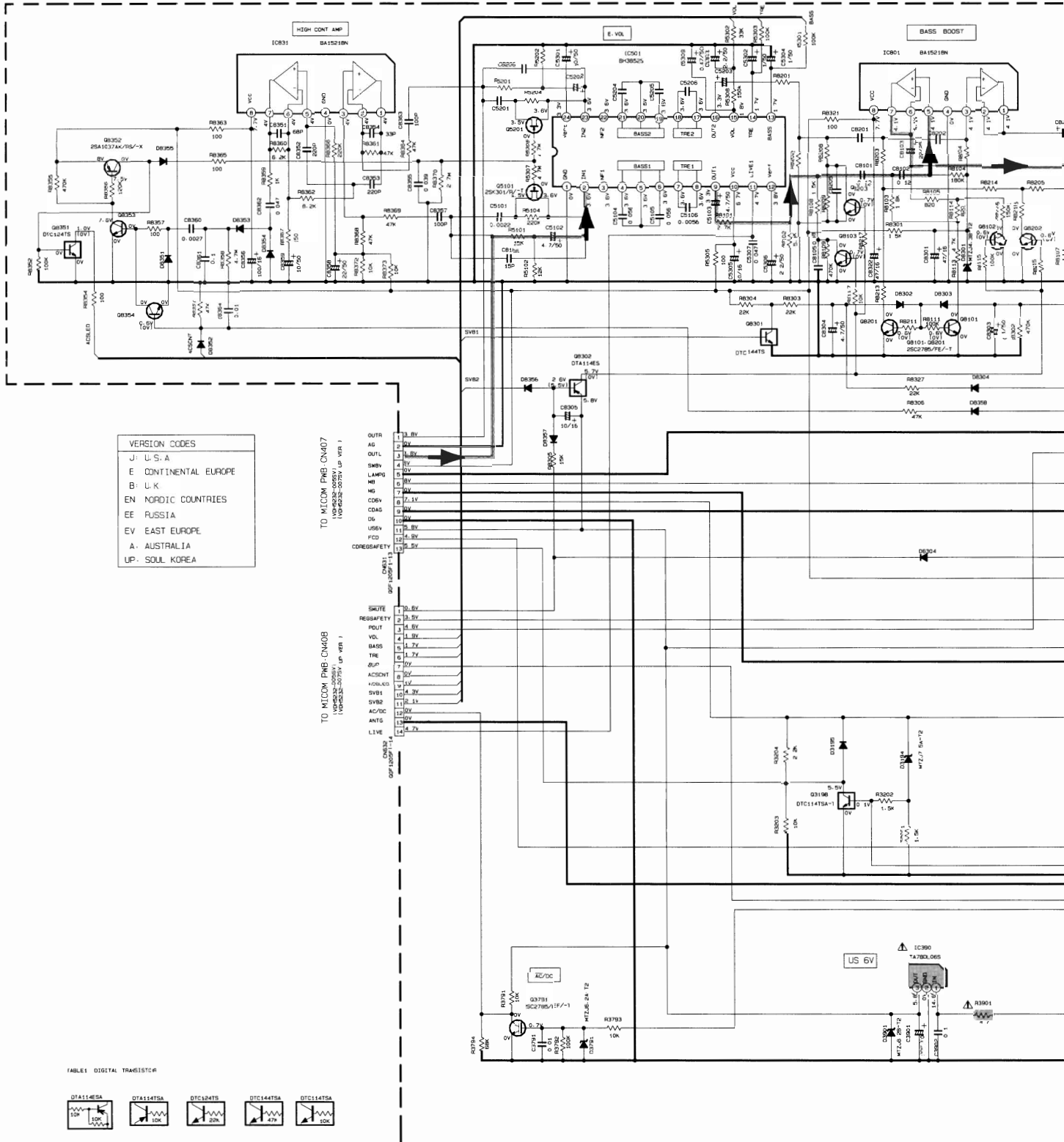
5

4

3

2

1

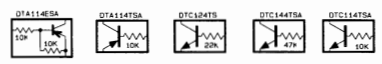


VERSION CODES

J	U.S.A
E	CONTINENTAL EUROPE
B	U.K
EN	NON-DC COUNTRIES
EE	RUSSIA
EV	EAST EUROPE
A	AUSTRALIA
UP	SOUL KOREA

- TO MICOM PWB-CM407  
 10P38525/25V, Up ver. 1
- TO MICOM PWB-CM408  
 10P38525/25V, Up ver. 1
- OUTR 1 3.0V
  - AG 2 0V
  - OUTL 3 1.0V
  - SMBV 4 1.0V
  - LAMP 5 0V
  - MB 6 0V
  - CD6 7 7.1V
  - CD4 8 0V
  - D6 9 0V
  - US6 10 0V
  - FC3 11 0V
  - FC2 12 0V
  - ANT 13 0V
  - LIVE 14 0V
- COSSAFETY
- SKUTE 1 0.0V
  - RECSAFETY 2 0.0V
  - PDUT 3 0.0V
  - VDL 4 1.0V
  - BASS 5 1.0V
  - THE 6 1.0V
  - BUP 7 0.0V
  - AC/DC 8 0.0V
  - AC/DC 9 0.0V
  - AC/DC 10 0.0V
  - SVB1 11 0.0V
  - SVB2 12 0.0V
  - ANT 13 0.0V
  - LIVE 14 0.0V

TABLE 1 DIGITAL TRANSISTOR



Note  
 LVS20009001A  
 VDH5232006AV  
 /s/R/R523206AV

- NOTES
- VOLTAGES ARE DC-MEASURED WITH A DIGITAL VOLT METER OR OSCILLOSCOPE WITHOUT INPUT SIGNAL. CONDITION --- CD STOP MODE.
  - UNLESS OTHERWISE SPECIFIED RESISTORS ARE 1/6W 5% CARBON RESISTOR. ALL RESISTANCE VALUES ARE IN OHM (Ω). ALL CAPACITORS ARE CERAMIC CAPACITOR OR MYLAR CAPACITOR. ALL CAPACITANCE VALUES ARE IN n (n=10<sup>-9</sup>).

ALL INDUCTANCE VALUES ARE IN mH (m=10<sup>-3</sup>). ALL CAPACITORS ARE SHOWN IN THE FORM OF CAPACITANCE (p=PICTOBASE (10<sup>-12</sup>)). ALL CODES ARE 1SS254 (OR 1SS104T) OR MA165). ALL NPN TRANSISTOR ARE 2SC2785/EF-T. ALL PNP TRANSISTOR ARE 2SA1175/HE-T.

RV-B55	
F1901	1.0M
F1902	6.3M
F1903	6.3M
F1904	6.3M
F1901	5070247





# Amplifier circuit (U/UB/US/UT/UY/UX version)

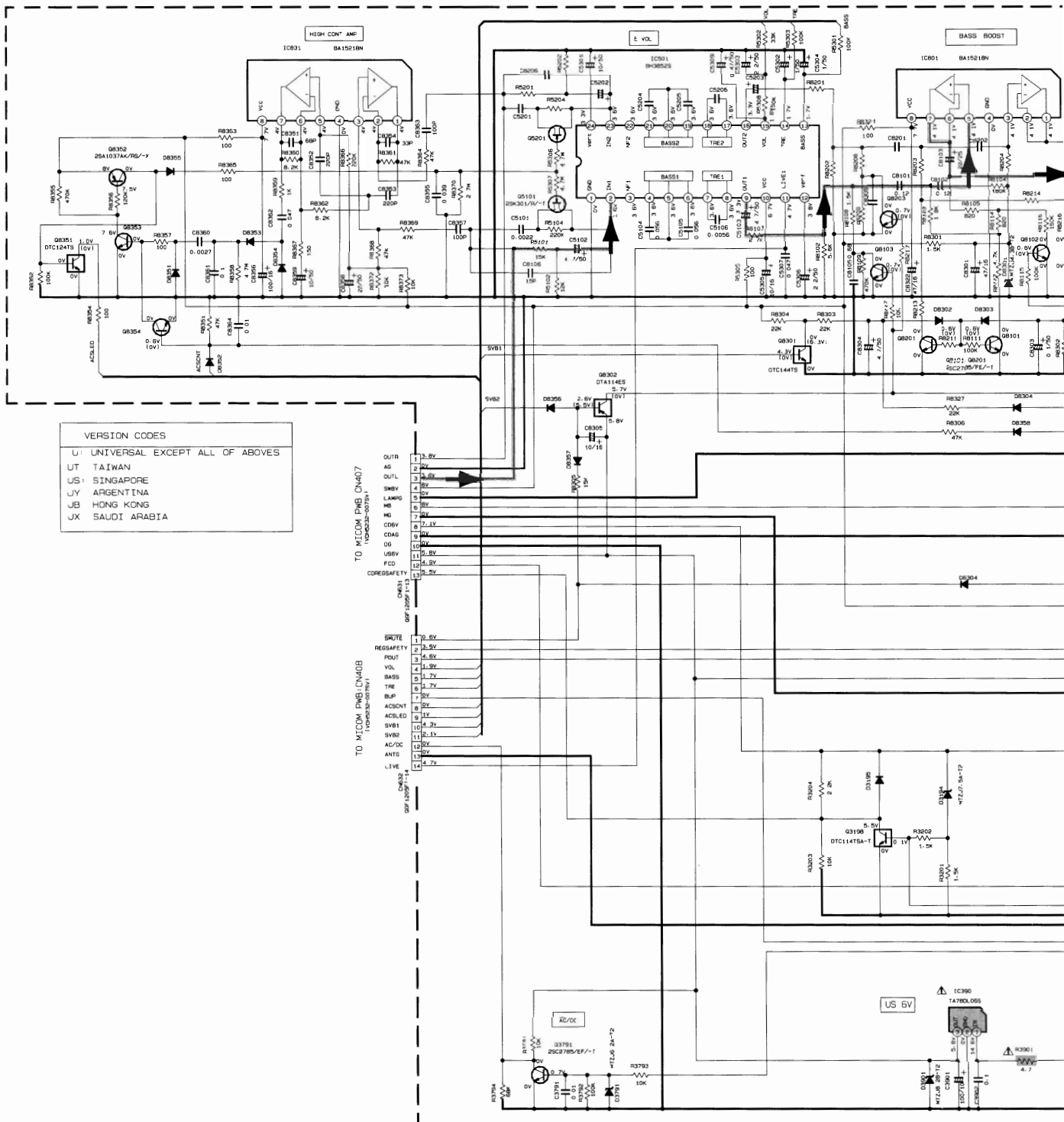
5

4

3

2

1



VERSION CODES

U	UNIVERSAL EXCEPT ALL OF ABOVE
UT	TAIWAN
US	SINGAPORE
UY	ARGENTINA
UB	HONG KONG
UX	SAUDI ARABIA

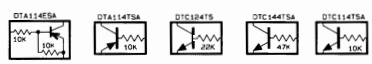
TO MICOM PWB-CN407  
(100000-00001)

OUTR	3.8V
AG	2.2V
OUTL	3.8V
SMBV	4.8V
LAMP	8.0V
ME	8.0V
MG	7.2V
CDV	8.2V
CDAG	8.0V
DO	10.0V
USB	11.0V
PCD	11.0V
CDREGSAFETY	11.0V
CH31	11.0V
DEF 1000P-1-1	11.0V

TO MICOM PWB-CN408  
(100000-00001)

SKUTE	10.0V
REGSAFETY	3.0V
PDUT	3.0V
BASS	4.0V
TRE	1.7V
BUP	2.0V
ACSCN1	1.0V
ACSCN2	1.0V
ACBLE	1.0V
SVB1	3.0V
SVB2	2.1V
AC/DC	8.0V
ANTS	1.0V
LIVE	4.7V
CH32	11.0V
DEF 1000P-1-1	11.0V

TABLE 1 DIGITAL TRANSISTOR



Note  
vdh5232007av  
LVS20009002a  
/s/R/R523207AV

- NOTES
1. VOLTAGES ARE DC-MEASURED WITH A DIGITAL VOLTMETER OR OSCILLOSCOPE WITHOUT INPUT SIGNAL. CONDITION --- CD STOP MODE.
  2. UNLESS OTHERWISE SPECIFIED RESISTORS ARE 1/8W ±5% CARBON RESISTOR. ALL RESISTANCE VALUES ARE IN OHM(Ω). ALL CAPACITORS ARE CERAMIC CAPACITOR OR MYLAR CAPACITOR. ALL CAPACITANCE VALUES ARE IN PICO(F)P.

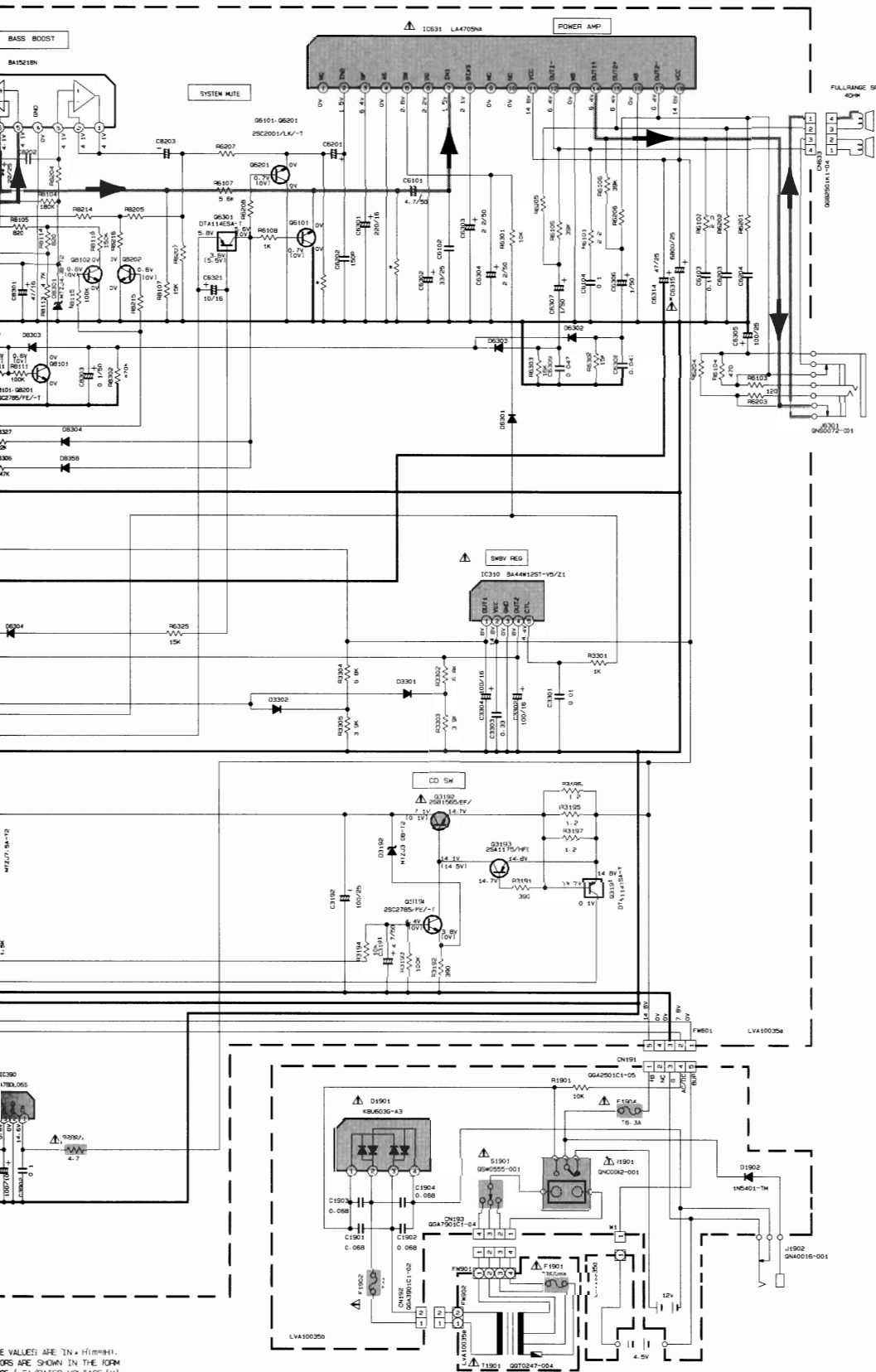
ALL INDUCTANCE VALUES ARE IN μH(mmh+). ALL CAPACITORS ARE SHOWN IN THE FORM OF CAPACITANCE (F)/RATED VOLTAGE (V). ALL DIODES ARE 1SS254 (OR HSS104T). ALL NPN TRANSISTORS ARE 2SC2785/EP/-T. ALL PNP TRANSISTORS ARE 2SA1163/HP/-T.

A

B

C

D



RESISTOR VALUES ARE IN Ω, K (1000Ω), M (1000000Ω).  
 CAPACITOR VALUES ARE SHOWN IN THE FORM OF VALUE X Y Z, WHERE X IS CAPACITANCE VALUE IN PICO FARADS (PF), Y IS TOLERANCE AND Z IS RATED VOLTAGE (V).  
 RESISTOR VALUES ARE 1SS254 (OR HSS104/J OR MA165) TYPE.  
 CAPACITOR VALUES ARE 2SC2765/EF/-1 TYPE.  
 CAPACITOR VALUES ARE 2SA1175/HFE/-1 TYPE.

➔ MAIN SIGNAL

⚠ Parts are safety assurance parts.  
 When replacing those parts make sure to use the specified one.





■ System control board Block No. 0 1

◆ Lamp board

◆ CD Door switch board

◆ System control board

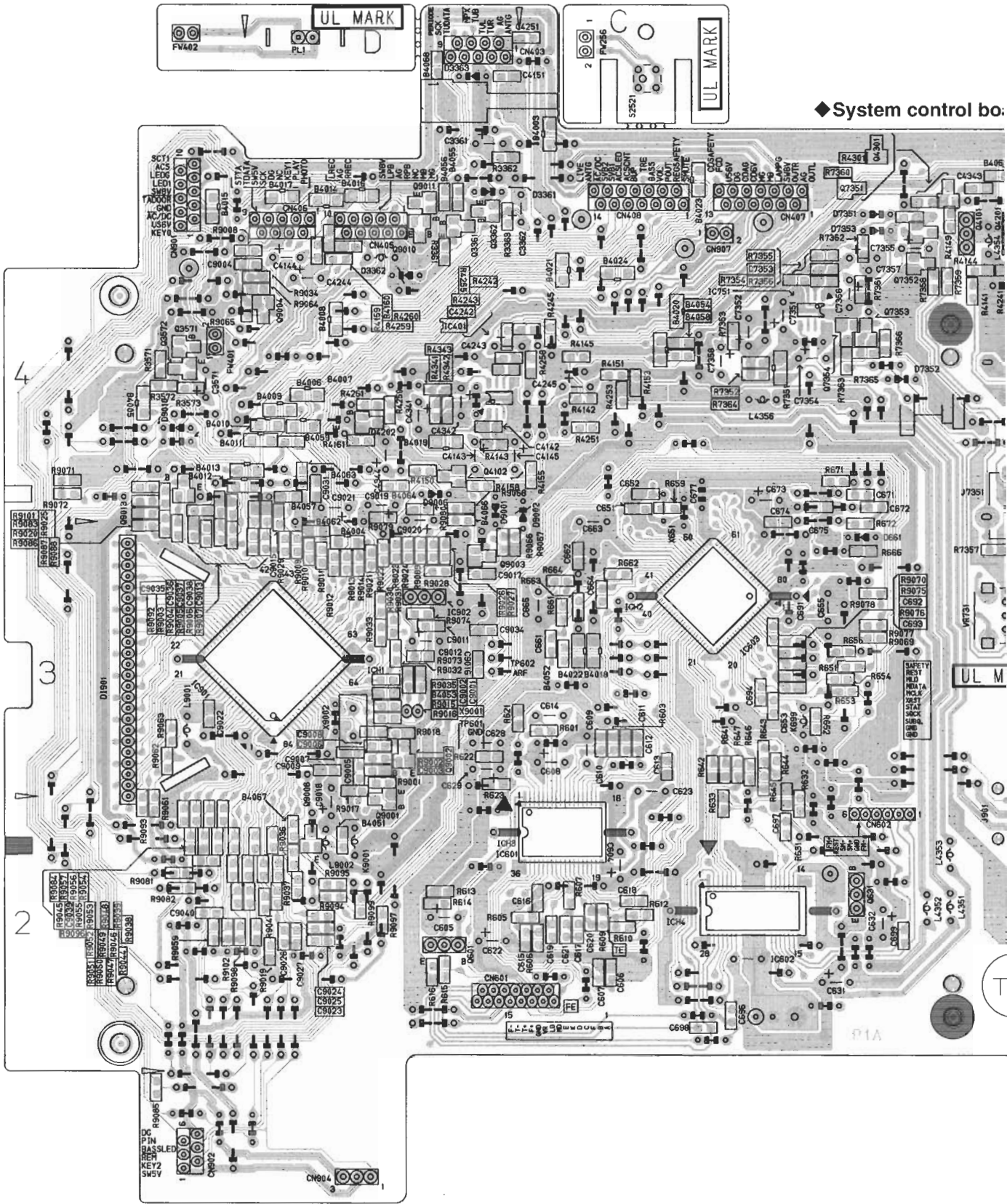
5

4

3

2

1



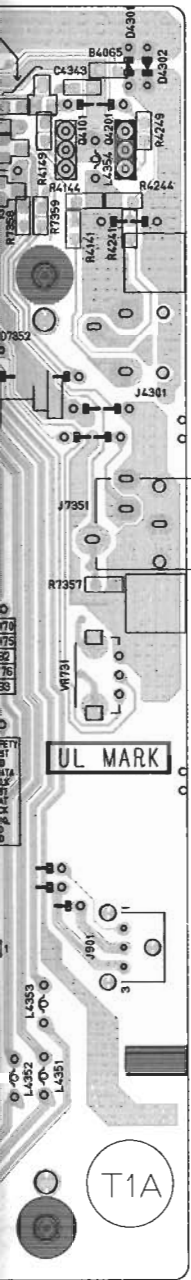
A

B

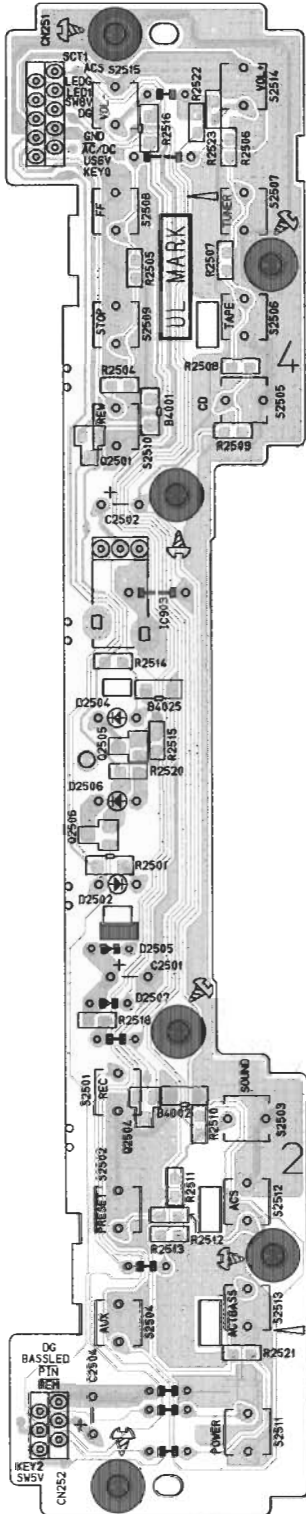
C

D

control board



◆ Key switch board



■ Tuner board (J version only)

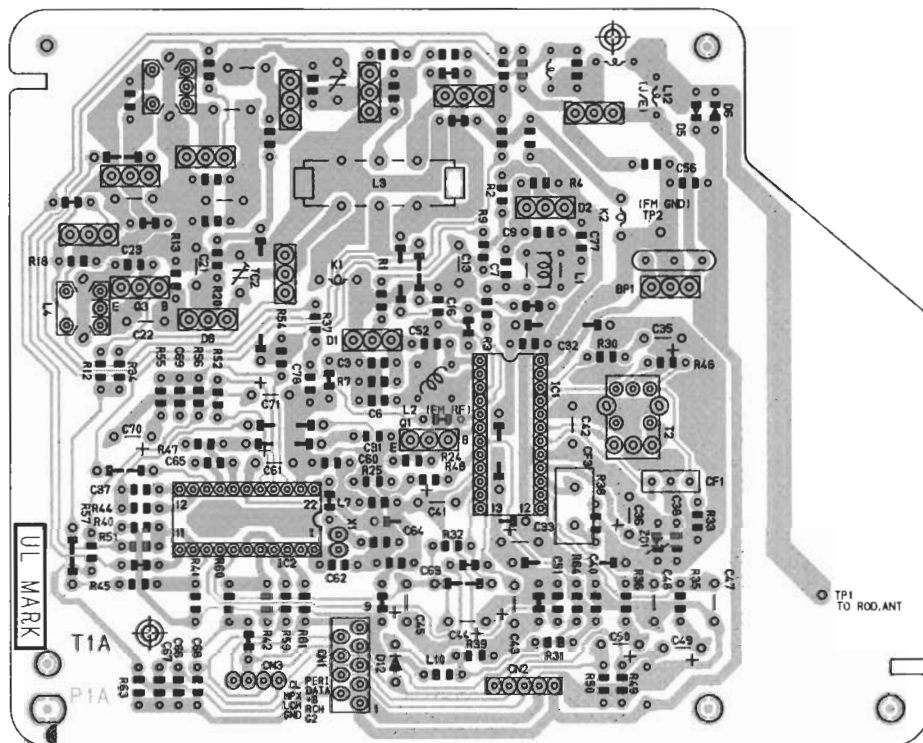
5

4

3

2

1



A

B

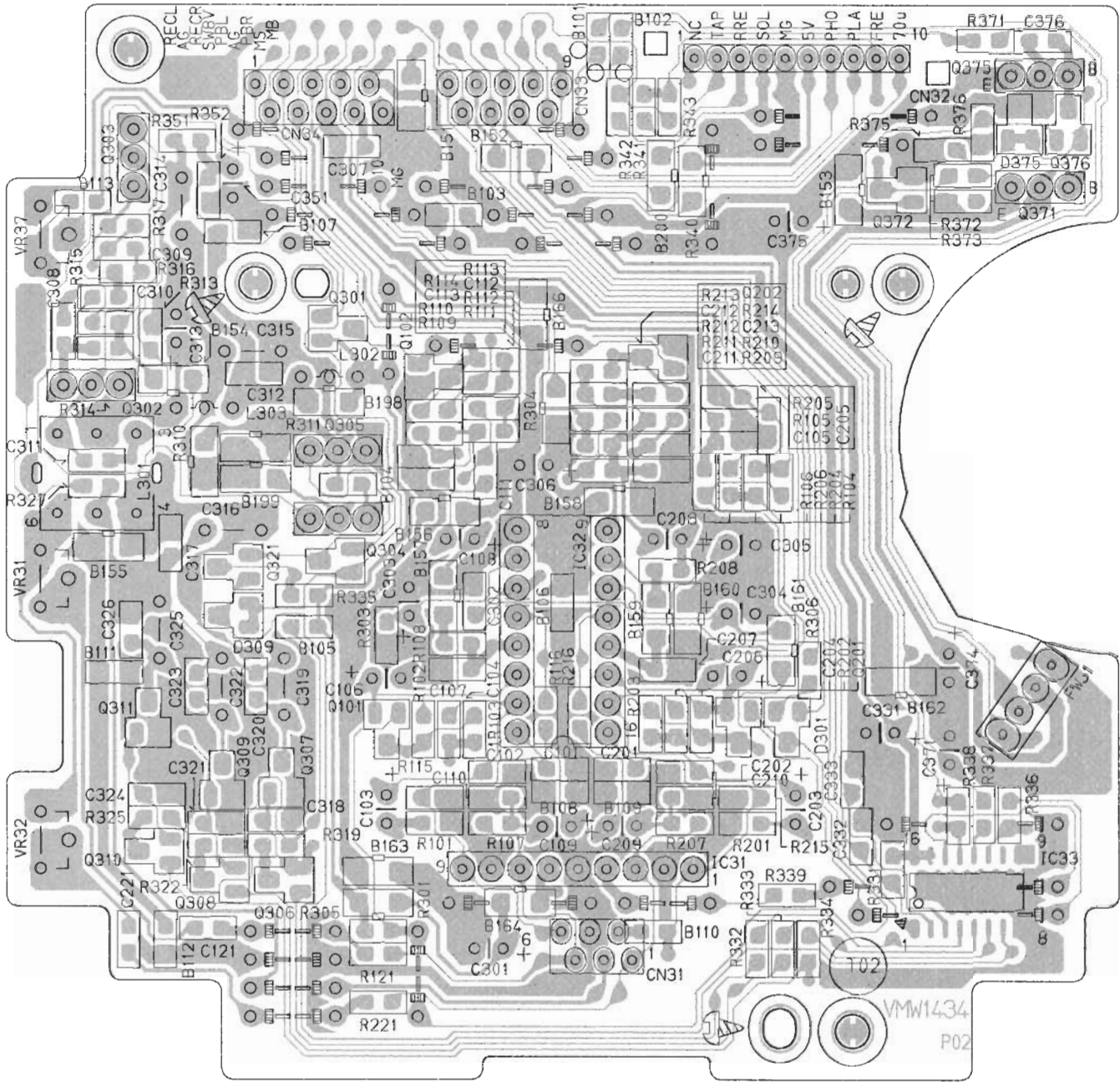
C

3-14

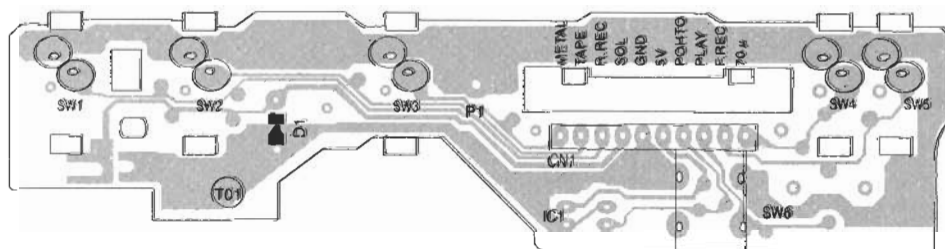
D



■ Head amplifier & mechanism board



■ Cassette switch board



# PARTS LIST

[ RV-B55GY ]

[ RV-B55BU ]

[ RV-B55LTD ]

\* All printed circuit boards and its assemblies are not available as service parts.

Areas suffix	
<b>[ RV-B55GY ]</b>	
UB -----	Hong Kong
US -----	Singapore
UT -----	Taiwan
UY -----	Argentina
UX -----	Saudi Arabia
U -----	Other Area

Areas suffix	
<b>[ RV-B55BU ]</b>	
UB -----	Hong Kong
US -----	Singapore
UT -----	Taiwan
U -----	Other Area

Areas suffix	
<b>[ RV-B55LTD ]</b>	
UB -----	Hong Kong
US -----	Singapore
UT -----	Taiwan
U -----	Other Area

Color cord table	
GY....	Gray
BU....	Blue
LT....	Transparent green

## - Contents -

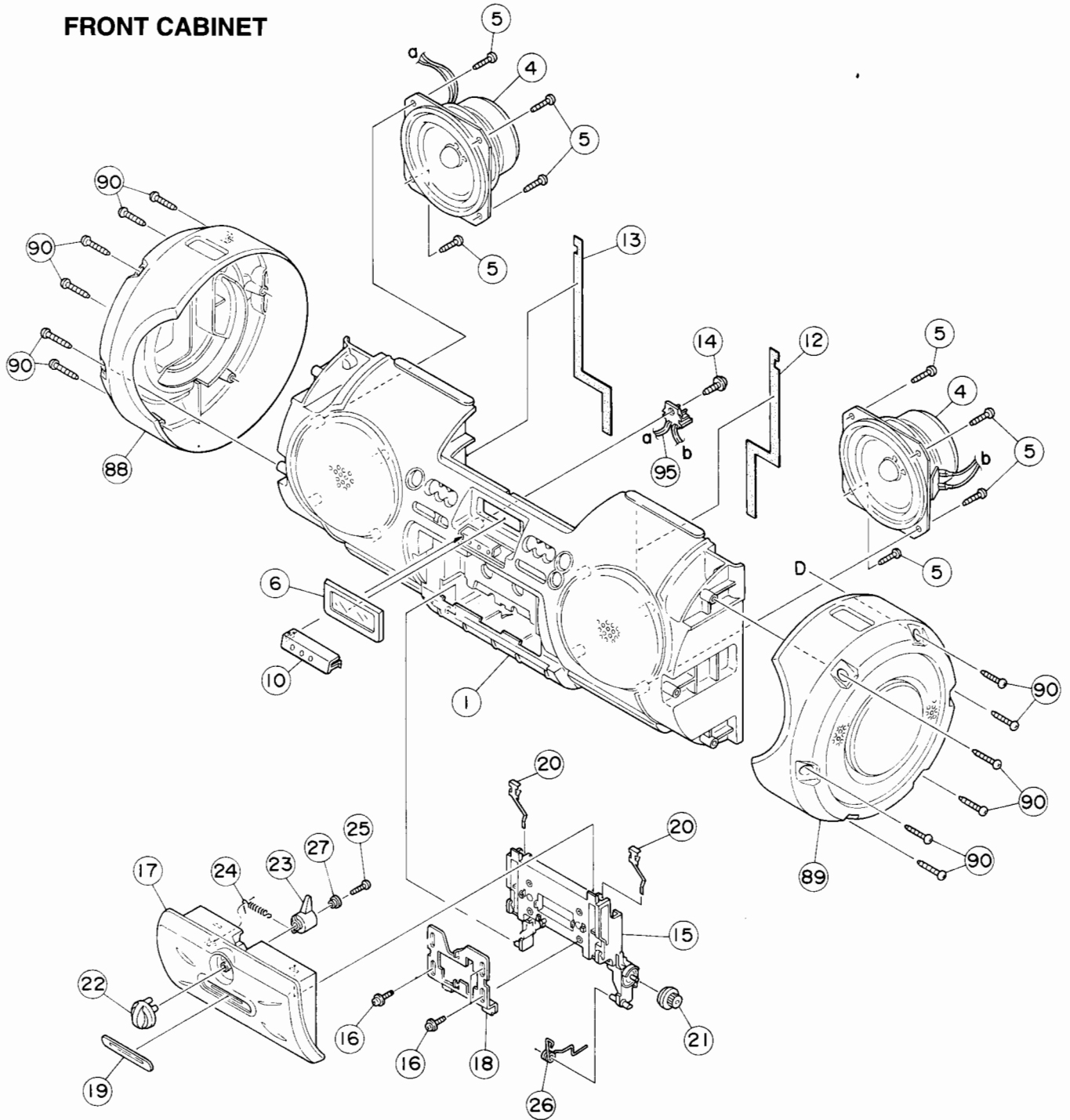
Exploded view of general assembly and parts list .....	4-2
CD mechanism assembly and parts list .....	4-7
Cassette mechanism assembly and parts list .....	4-8
Electrical parts list .....	4-10
Packing materials and accessories parts list .....	4-20

# Exploded view of general assembly and parts list

Block No. M 1 M M

## FRONT CABINET

5  
4  
3  
2  
1



## ■Parts list (General assembly)

BLOCK NO. MI1MM

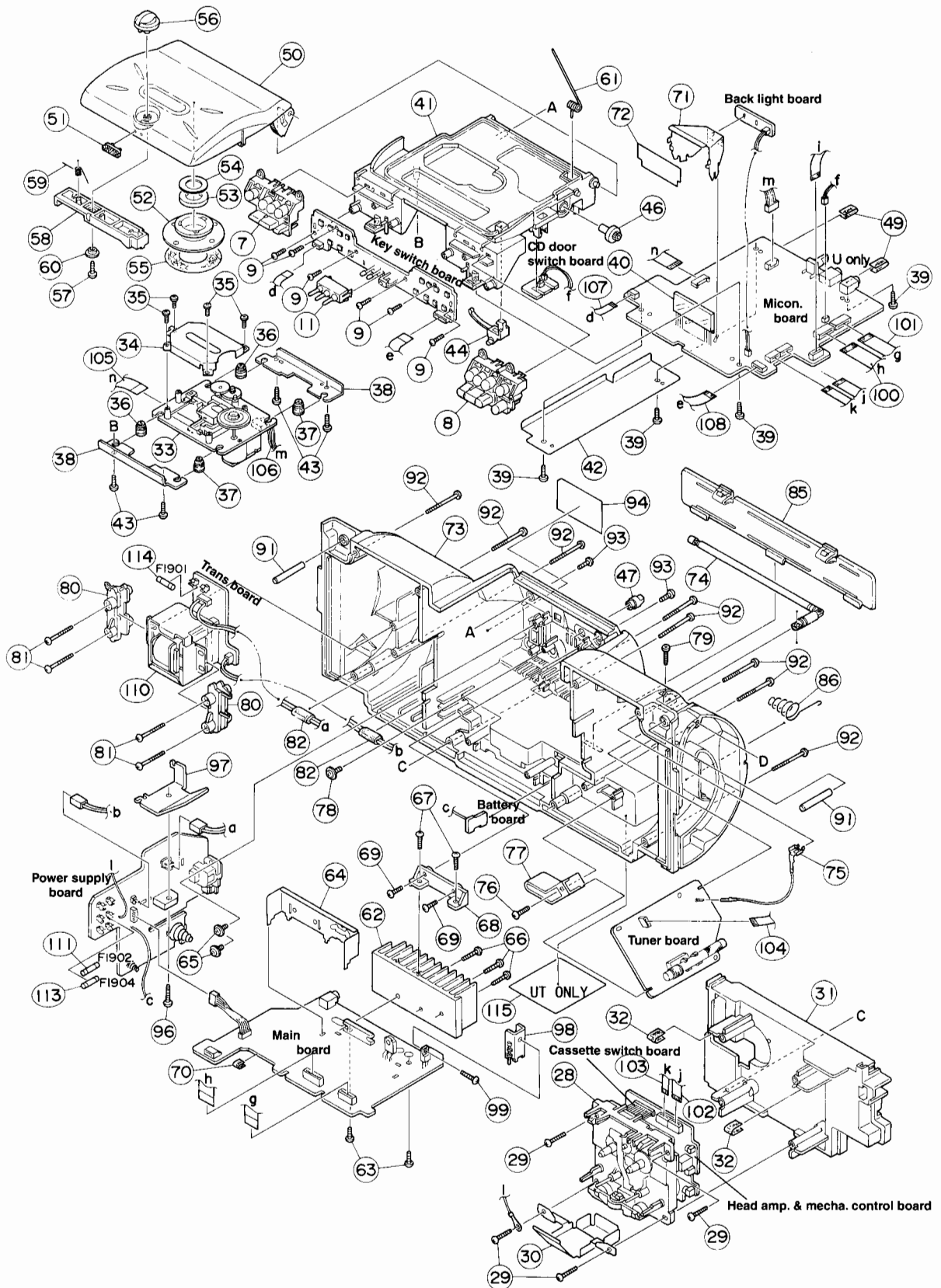
△	REF.	PARTS NO.	PARTS NAME	REMARKS	QTY	SUFFIX	CLR
	1	LV10160-006A	FRONT CABI ASSY		1		BU
		LV10160-009A	FRONT CABI ASSY		1		LT
		LV10160-003A	FRONT CABI ASSY		1		GY
	4	LE10010-010A	SPEAKER	L/R	2		
	5	QYSBSF3010Z	SCREW	FOR SPK.	8		
	6	VJK4520-001	LCD LENS		1		GY
		VJK4520-051	LCD LENS		1		BU
		VJK4520-061	LCD LENS		1		LT
	10	LV40715-002A	LENS	AS PAD X 1	1		
	12	LV40750-001A	PACKING SHEET L	PEFU(FRONT CABI	1		
	13	LV40751-001A	PACKING SHEET R	PEFU(FRONT CABI	1		
	14	QYSBSFG3010Z	TAP SCREW	SPK.CON+FRONT	1		
	15	LV20298-001A	CASSETTE HOLDER		1		GY
		LV20298-002A	CASSETTE HOLDER		1		BU
		LV20298-003A	CASSETTE HOLDER		1		LT
	16	VK24794-002	SPECIAL SCREW	EJECT SAFTY	3		
	17	LV20299-001A	DOOR COVER		1		GY
		LV20299-002A	DOOR COVER		1		BU
		LV20299-003A	DOOR COVER		1		LT
	18	LV30844-001A	EJECT SAFTY	CASS HOLDER	1		
	19	LV40717-002A	DOOR LENS		1		BU
		LV40717-001A	DOOR LENS		1		GY
		LV40717-003A	DOOR LENS		1		LT
	20	VKY4180-001	CASSETTE SPRING	SUS	2		
	21	VYH5601-001	GEAR	POM	1		
	22	LV40718-001A	EJECT KNOB	ABS	1		
	23	LV40719-001A	CAM(CASS)	POM	1		
	24	LV40749-001A	TENSION SPRING	CAM + DOOR COVE	1		
	25	QYSBSF2610Z	SCREW	E.KNOB + CAM	1		
	26	LV40721-001A	DOOR SPRING	SUS T1.0	1		
	27	LV40720-001A	COLLAR (CASS)	SLIDER + D.COVE	1		
	88	LV10165-001A	SIDE PROT.ASY L		1		GY
		LV10165-002A	SIDE PROT.ASY L		1		BU
		LV10165-003A	SIDE PROT.ASY L		1		LT
	89	LV10166-002A	SIDE PROT.ASY R		1		BU
		LV10166-003A	SIDE PROT.ASY R		1		LT
		LV10166-001A	SIDE PROT.ASY R		1		GY
	90	QYSBSF3012N	SCREW	FOR SIDE PROTEC	12		
	95	WJJ0034-008A	E-SI C WIRE C-C		1		

# Exploded view of general assembly and parts list

Block No. 

M	1	M	M
---	---	---	---

## REAR CABINET



## ■ Parts list (General assembly)

BLOCK NO. **M1MM1111**

△ REF.	PARTS NO.	PARTS NAME	REMARKS	QTY	SUFFIX	CLR
7	LV20331-001A	POWER BUTTON	PAINT X1,PAD X1	1		
8	LV20332-001A	VOLUME BUTTON	PAINT X1,PAD X1	1		
9	QYSBSF2610Z	SCREW	BUTTON + SW PWB	6		
11	LV40716-002A	LED HOLDER	ABS	1		
28	SLC-S1YPM	SLC MECHA ASS'Y		1		
29	QYSBSF3014Z	SCREW	FOR SLC	4		
30	LV30845-001A	HEAD SHIELD	SPT E T 0.4	1		
31	LV10192-001A	CASS CHASSIS	MIPS	1		
32	VYSA1R6-080	SPACER		2		
33	-----	CD MECHA UNIT		1		
34	VJD5410-204	PICK COVER		1		
35	QYSDFS2006M	SCREW		4		
36	FMYH4003-003	INSULATOR		2		
37	FMYH4003-004	INSULATOR		2		
38	LV40723-001A	CD MECHA HOLDER	EGC T1.0	2		
39	QYSBSF3010Z	SCREW	FOR HOLDER	4		
40	QLD0024-002	LCD		1		
41	LV10162-002A	CD CASE		1		GY
	LV10162-004A	CD CASE		1		BU
	LV10162-006A	CD CASE		1		LT
42	LV31305-001A	SHIELD		1		
43	QYSBSF3010Z	SCREW	FOR MICON PWB	4		
44	LV40726-001A	LOCK LEVER	POM	1		
46	VYH4769-002SS	GEAR	FOR CD CASE	1		
47	VXL4442-001	VOLUME KNOB	MIC VOLUME	1		
49	VYSA1R6-080	SPACER		2		
50	LV10163-006A	CD DOOR		1		LT
	LV10163-002A	CD DOOR		1		GY
	LV10163-004A	CD DOOR		1		BU
51	PQ45130-7	JVC MARK	FOR CD DOOR	1		
52	VYH3644-201	CLAMPER	FOR OPTIMA-6	1		
53	VYH7313-003	MAGNET		1		
54	VYH7314-001	YOKE		1		
55	VYH7315-005	PAD		1		
56	LV40718-001A	EJECT KNOB	ABS	1		
57	QYSBSF2610Z	SCREW	E.KNOB + SLIDER	1		
58	LV30846-001A	SLIDER (CD)	POM	1		
59	LV40725-001A	TORSION SPRING	FOR SLIDER	1		
60	LV40728-001A	COLLAR (CD)		1		
61	LV40729-001A	3D DOOR SPRING	SUS	1		
62	LV30847-001A	HEAT SINK(A)	AL T2.0	1		
63	QYSBSF3012Z	SCREW	HEAT SINK(A)+PW	2		
64	LV30848-001A	HEAT SINK(B)		1		
65	E65923-003	TAPPING SCREW	FOR AC	2		
66	QYSBSF3012Z	SCREW	FOR POWER IC	3		
67	QYSBSF3012Z	SCREW	H.SINK(A)+BKT.	2		
68	LV40730-001A	HEAT SINK BKT	FOR HEAT SINK	1		
69	QYSBSF3010Z	SCREW	REAR + H.BKT.	2		
70	VYSA1R6-080	SPACER		1		
71	LV30849-001A	LCD HOLDER	SPT E T0.4	1		
72	VYH8193-002	SHEET	LCD + LCD HOLDE	1		
73	LV10164-012A	REAR CABINET		1		LT
	LV10164-008A	REAR CABINET		1		BU
	LV10164-004A	REAR CABINET		1		GY

BLOCK NO. M1MM

REF.	PARTS NO.	PARTS NAME	REMARKS	QTY	SUFFIX	CLR
74	FMJA3001-00A(D)	ROD ANT ASS'Y		1		
75	VYH5012-006	TERMINAL LUG	SPTE TO.4	1		
76	QYSBSF3012Z	SCREW	TUNER HOLDER+RE	1		
77	LV41032-001A	TUNER HOLDER		1		
78	E65923-003	TAPPING SCREW	FOR H.PHONES	1		
79	QYSDSP3012N	SCREW	FOR ROD ANT	1		
80	VYH8101-001	TRANS SUPPORT	POM	2		
81	QYSBSF3030Z	SCREW	FOR TRANS	4		
82	LV30225-021A	SPACER	TRANS WIRE	2		
85	VJC2016-321	BATTERY COVER		1		LT
	VJC2016-311	BATTERY COVER		1		BU
	VJC2016-301	BATTERY COVER		1		GY
86	VYH5657-001	BATTERY SPRING		1		
91	VKH3012-073	SHAFT(E)	REAR(S.BELT)	2		
92	QYSBSF3040Z	SCREW	FRONT+REAR	8		
93	QYSBSF3010Z	SCREW	CD CASE + REAR	2		
94	LV30851-007A	NAME PLATE		1	UT	
	LV30851-005A	NAME PLATE		1	UX	
	LV30851-004A	NAME PLATE		1	U,UB,US	
96	QYSBSF3014Z	SCREW		1		
97	LV41029-001A	HEAT SINK(C)		1		
98	E70306-001	HEAT SINK		1		
99	QYSBSF3010Z	SCREW		1		
100	QUQ412-1415CJ	CARD WIRE	MICON PWB-AMP P	1		
101	QUQ412-1313CJ	CARD WIRE	MICON PWB-AMP P	1		
102	QUQ412-1012DJ	CARD WIRE	C.MECHA-MICON P	1		
103	QUQ412-0914DJ	CARD WIRE	C.MECHA-MICON P	1		
104	QUQ412-0912CJ	FFC WIRE	TUNER PWB-MICON	1		
105	QUQ110-1508AJ	CARD WIRE	CD MECHA-CD AMP	1		
106	QJJ010-060606	SIN CR C-C WIRE		1		
107	QUQC12-0606CJ	CARD WIRE	SW PWB-MICON PW	1		
108	QUQC12-1006CJ	CARD WIRE	SW PWB-MICON PW	1		
110	QQT0247-004	POWER TRANS	T1901	1		
111	QMF51E2-4R0-J1	FUSE	F1902	1		
113	QMF51E2-6R3-J1	FUSE	F1904	1		
114	QMF51E2-R80-J1	FUSE	F1901	1		
115	LV30093-043A	UT LABEL		1	UT	GY
	LV30093-044A	UT LABEL		1	UT	BU
	LV30093-043A	UT LABEL		1	UT	LT

# CD mechanism ass'y and parts list

■ Grease point

FG-87HS  
(Grease to apply have to be alittle for the exchange)

Block No. M 2 M M

No.EXL-M6

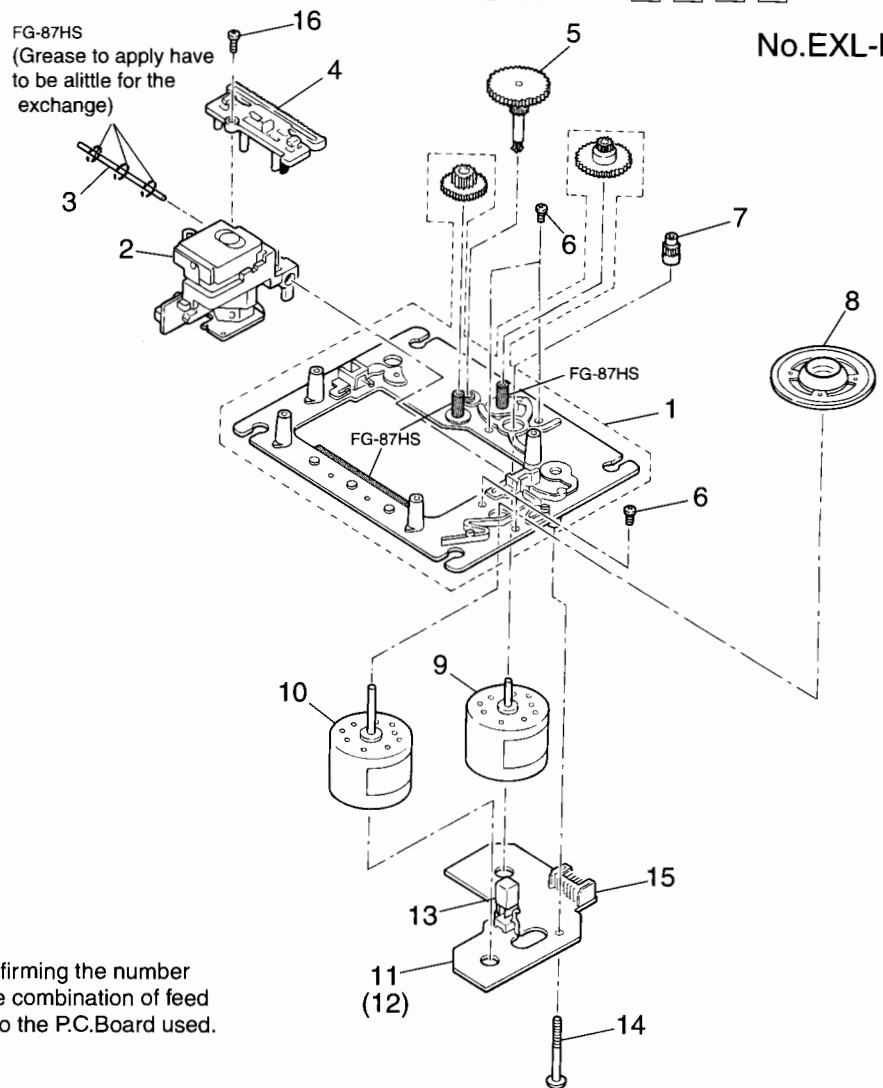
3

2

1

NOTE

Please order motor after confirming the number of the P.C.Board because the combination of feed motor is different according to the P.C.Board used.



A

B

C

D

■ CD Mechanism Assembly Parts List

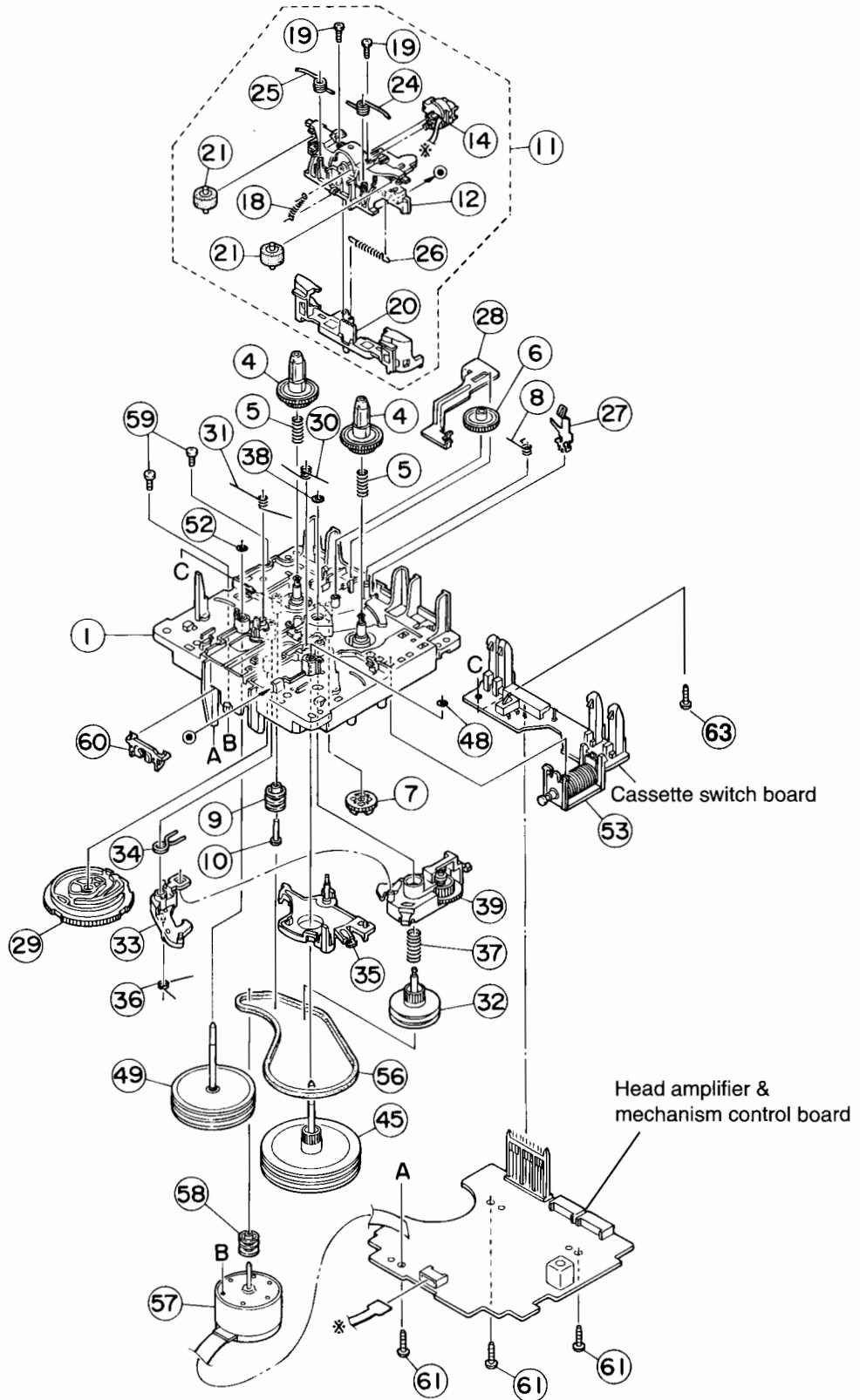
⚠	Item	Parts Number	Parts Name	Q'ty	Description	Area
	1	EPB-002PK	MECHA. BASE ASSY	1		
	2	OPTIMA-150S	OPTICAL PICK UP	1		
	3	E407782-001	CD SHAFT	1		
	4	E307746-001	CD RACK	1		
	5	EPB-003A	MECHA GEAR	1		
	6	SDSP2003N	SCREW	4		
	7	E406750-001	PINION GEAR	1		
	8	E75807-302	TURN TABLE	1	Use the 1CD	
		EPB309173A	TURN TABLE	1	Use the 3CD	
	9	E406784-001	FEED MOTOR	1	Use the No.11 P.C.Board	
		MDN-4RA3ETA-1	FEED MOTOR	1	Use the No.12 P.C.Board	
	10	E406783-001	SPINDLE MOTOR	1		
	11	EMW10190-001(S)	P.C.BOARD	1		
	12	EMW10190-221(S)	P.C.BOARD	1		
	13	ESB1100-005	LEAF SWITCH	1		
	14	E75832-001	SCREW	1		
	15	EMV5109-006B	CONN. TERMINAL	1		
	16	SDSF2006Z	SCREW	1		



# Cassette mechanism assembly and parts list

Block No. M 3 M M

SLC-S1YPM



### ■ Parts list (Cassette mechanism)

BLOCK NO. **M3MM**   

△	REF.	PARTS NO.	PARTS NAME	REMARKS	QTY	SUFFIX	CLR
	1	VKS1165-00G	CHASSIS B.ASS'Y		1		
	4	VKS2274-002	REEL GEAR		2		
	5	VKW5286-002	B.T. SPRING		2		
	6	VKS5559-001	PLAY IDLE GEAR		1		
	7	VKS5597-00A	FR GEAR ASS'Y		1		
	8	VKW5296-001	EARTH SPRING		1		
	9	VKR4749-002	IDLE PULLEY		1		
	10	VKH5786-002	SHAFT		1		
	11	VKS2275-00C	HEAD MOUNT ASSY		1		
	12	VKS1167-001	HEAD MOUNT BASE		1		
	14	VGH0425-544	R/P&E HEAD	VKS2275-00B	1		
	18	VKW5302-001	HEAD SPRING		1		
	19	VKZ4730-001	SPECIAL SCREW		2		
	20	VKS2277-005	DIRECTION LEVER		1		
	21	VKP4233-00A	PINCH ROL. ASSY		2		
	24	VKW5299-002	PIN ROL.SP.(R)		1		
	25	VKW5300-002	PIN ROL.SP.(L)		1		
	26	VKW5285-001	RETURN SPRING		1		
	27	VKY3149-002	CASSETTE SP.		1		
	28	VKM3906-002	PLAY SW LEVER		1		
	29	VKS1166-003	CONTROL CAM		1		
	30	VKW5279-001	HEAD BASE SP(R)		1		
	31	VKW5280-001	HEAD BASE SP(L)		1		
	32	VKS5603-00D	MAIN PULLEY ASY		1		
	33	VKS3785-001MM	FR ARM		1		
	34	VKW5284-002	SWING SPRING		1		
	35	VKS2278-003	TRIGGER ARM		1		
	36	VKW5301-001	FR SPRING		1		
	37	VKW5266-001	ELEVATOR SPRING		1		
	38	WDL214025	WASHER		1		
	39	VKS3786-00G	CLUTCH ASS'Y		1		
	45	VKF3205-00B	F.WHEEL ASSY(R)		1		
	48	WDL183425	SLIT WASHER		1		
	49	VKF3207-00B	F.WHEEL ASSY(L)		1		
	52	WDL173525-6	SLIT WASHER		1		
	53	VKZ3174-00A	DC SOLENOID		1		
	56	VKB3000-181	CAPSTAN BELT		1		
	57	MSI-SU2LWA	D.C.MOTOR ASS'Y		1		
	58	VKR4761-001	MOTOR PULLEY		1		
	59	QYSPSP2604Z	SCREW		2		
	60	VKS5577-001	FPC HOLDER		1		
	61	QYSBSF2608Z	T.SCREW	FOR P.W.B.	3		
	63	QYSBSF2006Z	SCREW		1		

System control board

BLOCK NO. 01111111

REF.	PARTS NO.	PARTS NAME	REMARKS	SUFFIX
C 604	QEK1AM-1072	E CAPACITOR	100MF 20% 10V	
C 605	QETN1HM-1062	E CAPACITOR	10MF 20% 50V	
C 606	NCS21HJ-102X	C CAPACITOR		
C 607	NCS21HJ-102X	E CAPACITOR		
C 608	QET41HM-105	C CAPACITOR	1.0MF 20% 50V	
C 609	NCS21HJ-101X	C CAPACITOR		
C 610	QFLM1HJ-2732	M CAPACITOR	.027MF 5% 50V	
C 611	NCS21HJ-222X	C CAPACITOR		
C 612	NCS21HK-103X	C CAPACITOR		
C 613	NCS21HJ-331X	C CAPACITOR		
C 614	QFV41HJ-104	TF CAPACITOR	.10MF 5% 50V	
C 615	NCS21HK-223X	C CAPACITOR		
C 616	NCS21HK-223X	C CAPACITOR		
C 617	NCS21HK-223X	C CAPACITOR		
C 618	NCS21HJ-222X	C CAPACITOR		
C 619	NCS21HJ-271X	C CAPACITOR		
C 620	NCS21HJ-470X	C CAPACITOR		
C 621	NCS21HJ-821X	C CAPACITOR		
C 622	QET41EM-476	E CAPACITOR	47MF 20% 25V	
C 623	QFV41HJ-104	TF CAPACITOR	.10MF 5% 50V	
C 628	QDX31EM-473Z	C CAPACITOR		
C 629	QET41AM-107	E CAPACITOR	100MF 20% 10V	
C 631	QET41AM-477	E CAPACITOR	470MF 20% 10V	
C 632	QEK1AM-1072	E CAPACITOR	100MF 20% 10V	
C 651	NCS21HJ-120X	C CAPACITOR		
C 652	NCS21HJ-150X	C CAPACITOR		
C 653	NCS21HK-223X	C CAPACITOR		
C 655	QDX31EM-473Z	C CAPACITOR		
C 661	NCS21HJ-471X	C CAPACITOR		
C 662	NCS21HK-223X	C CAPACITOR		
C 663	QFLM1HJ-223Z	M CAPACITOR	.022MF 5% 50V	
C 664	NCS21HK-223X	C CAPACITOR		
C 665	QFV41HJ-104	TF CAPACITOR	.10MF 5% 50V	
C 671	NCS21HJ-222X	C CAPACITOR		
C 672	NCS21HJ-222X	C CAPACITOR		
C 673	QTE1A28-227Z	E CAPACITOR		
C 674	NCS21HK-223X	C CAPACITOR		
C 675	NCS21HJ-102X	C CAPACITOR		
C 691	NCS21HJ-151X	C CAPACITOR		
C 692	NCS21HJ-151X	C CAPACITOR		
C 693	NCS21HJ-151X	C CAPACITOR		
C 694	NCS21HJ-151X	C CAPACITOR		
C 698	NCS21HJ-102X	C CAPACITOR		
CN251	QGF1205F1-10	CONNECTOR		
CN252	QGF1205F1-06	CONNECTOR		
CN403	QGF1205C1-09	CONNECTOR		
CN405	QGF1205F1-10	CONNECTOR		
CN406	QGF1205F1-09	CONNECTOR		
CN407	QGF1205F1-13	CONNECTOR		
CN408	QGF1205F1-14	CONNECTOR		
CN601	QGF1008F1-15	21-41 CONNECTOR	TO RF	
CN602	QGA2001C1-06	6P PLUG ASSY		
CN901	QGF1205F1-10	CONNECTOR		
CN902	QGF1205F1-06	CONNECTOR		
CN907	QGA2501C1-02	2P CONNECTOR		

BLOCK NO. 01111111

REF.	PARTS NO.	PARTS NAME	REMARKS	SUFFIX
C2501	QER61AM-226Z	E CAPACITOR	22MF 20% 10V	
C2502	QER41CM-476	E CAPACITOR	47MF 20% 16V	
C3361	QER41AM-107	E CAPACITOR	100MF 20% 10V	
C3362	QER41EM-475	E CAPACITOR	4.7MF 20% 25V	
C3571	QER41CM-476	E CAPACITOR	47MF 20% 16V	
C4142	NCS21HJ-100X	C CAPACITOR		
C4143	QER41EM-475	E CAPACITOR	4.7MF 20% 25V	
C4144	QER41EM-475	E CAPACITOR	4.7MF 20% 25V	
C4145	QTE1V06-106Z	E CAPACITOR		
C4151	NCS21HJ-681X	C CAPACITOR		
C4242	NCS21HJ-100X	C CAPACITOR		
C4243	QER41EM-475	E CAPACITOR	4.7MF 20% 25V	
C4244	QER41EM-475	E CAPACITOR	4.7MF 20% 25V	
C4245	QTE1V06-106Z	E CAPACITOR		
C4251	NCS21HJ-681X	C CAPACITOR		
C4341	QER41CM-476	E CAPACITOR	47MF 20% 16V	
C4342	QER61CM-107Z	E CAPACITOR	100MF 20% 16V	
C4343	NCS21HJ-151X	C CAPACITOR		
C4344	QER41EM-475	E CAPACITOR	4.7MF 20% 25V	
C7351	QET41HM-226	E CAPACITOR	22MF 20% 50V	
C7352	QET41HM-226	E CAPACITOR	22MF 20% 50V	
C7353	NCS21HJ-390X	E CAPACITOR		
C7354	QETN1HM-335Z	C CAPACITOR	3.3MF 20% 50V	
C7355	QER61HM-474Z	E CAPACITOR	4.7MF 20% 50V	
C7356	QETN1HM-336Z	E CAPACITOR	3.3MF 20% 50V	
C7357	QETN1HM-335Z	E CAPACITOR	3.3MF 20% 50V	
C7358	QET41HM-475	E CAPACITOR	4.7MF 20% 50V	
C9001	NCS21HJ-220X	C CAPACITOR		
C9002	NCS21HJ-220X	C CAPACITOR		
C9003	NCS21HJ-151X	C CAPACITOR		
C9004	NCS21HJ-471X	C CAPACITOR		
C9005	NCS21HJ-240X	C CAPACITOR		
C9006	NCS21HJ-240X	C CAPACITOR		
C9007	NCS21HJ-360X	C CAPACITOR		
C9008	NCS21HJ-360X	C CAPACITOR		
C9009	NCS21HK-103X	C CAPACITOR		
C9011	NCS21HK-103X	C CAPACITOR	22MF 20% 50V	
C9012	QER61HM-226Z	E CAPACITOR		
C9013	NCS21HJ-151X	C CAPACITOR		
C9015	NCS21HJ-151X	C CAPACITOR		
C9016	NCS21HJ-151X	C CAPACITOR		
C9017	NCS21HJ-151X	C CAPACITOR		
C9018	QER41AM-107	E CAPACITOR	100MF 20% 10V	
C9019	QER61HM-106Z	E CAPACITOR	10MF 20% 50V	
C9020	QER61HM-106Z	E CAPACITOR	10MF 20% 50V	
C9021	QER61HM-106Z	E CAPACITOR	10MF 20% 50V	
C9022	NCS21HK-103X	C CAPACITOR		
C9023	NCS21HJ-151X	C CAPACITOR		
C9024	NCS21HJ-101X	C CAPACITOR		
C9025	NCS21HJ-151X	C CAPACITOR		
C9026	NCS21HJ-151X	C CAPACITOR		
C9027	NCS21HJ-680X	C CAPACITOR		
C9031	NCS21HK-103X	C CAPACITOR		
C9034	NCS21HJ-151X	C CAPACITOR		
C9035	NCS21HJ-151X	C CAPACITOR		

BLOCK NO. 04111111

REF.	PARTS NO.	PARTS NAME	REMARKS	SUFFIX
C9036	NCS21HJ-151X	C CAPACITOR		
C9037	NCS21HJ-151X	C CAPACITOR		
C9038	NCS21HJ-151X	C CAPACITOR		
C9039	NCS21HJ-103X	C CAPACITOR		
C9040	NCS21HJ-103X	C CAPACITOR		
D 661	1SS133-T2	DIODE		
D2502	SLR-342VR-T15	LED I M	STAND-BY LED	
D2504	SLR-342MG-T15	LED I M	ACS IND (GR)	
D2505	1SS133-T2	DIODE		
D2506	SLR-342VR-T15	LED I M	AMB ON/OFF(R)	
D2507	1SS133-T2	DIODE		
D3361	1SS133-T2	DIODE		
D3362	MTZJ3-9B-T2	Z DIODE		
D3363	1SS133-T2	DIODE		
D4301	1SS133-T2	DIODE		
D4302	1SS133-T2	DIODE		
D7351	1SS133-T2	DIODE		
D7352	1SS133-T2	DIODE		
D7353	1SS133-T2	DIODE		
D9001	1SS133-T2	DIODE		
D9002	MTZJ5-1C-T2	ZENER DIODE		
D9006	MA700A-T2	S.B. DIODE		
FW256	GJK005-021002	SIN CL C-B WIRE		
FW401	QJL007-021002	SIN CR B-B WIRE		
IC101	VY7237-002	IC HOLDER	FOR MICON	
IC401	BA15218F-XE	IC	ADDER	
IC601	AN8806SB-W	IC C.M	RF AMP	
IC603	MN35510	IC	1CHIP PROCESSER	
IC751	BA15218F-XE	IC		
IC901	MN171603BJ	IC	SYSTEM MICON	
IC902	IC-PST9131-T	IC		
IC903	GP1U281X	IR DETECT UNIT		
J4301	QNS0047-001	JACK	AUX	
J7351	QNS0043-001	JACK		
K 659	QRR0779-001Z	INDUCTOR		
K9001	QRR0779-001Z	INDUCTOR		
L4351	QRR0779-001Z	INDUCTOR		
L4352	QRR0779-001Z	INDUCTOR		
L4353	QGL01BK-100Z	INDUCTOR		
L4354	QRR0779-001Z	INDUCTOR		
L4355	QGL01BK-100Z	INDUCTOR		
L4356	QRR0779-001Z	INDUCTOR		
L9001	QGL01BK-100Z	INDUCTOR		
L9002	QGL01BK-100Z	INDUCTOR		
PL 1	QLL0051-002	LAMP		
Q 601	2SA952/LK/-T	TRANSISTOR		
Q 631	2SA952/LK/-T	TRANSISTOR		
Q2501	DTA124XKA-X	CHIP D.TR.C.M		
Q2504	UN2210-X	TRANSISTOR		
Q2505	2SC2412K/RS/-X	CHIP TR.C.M		
Q2506	DT124TKA-X	TRANSISTOR		
Q3361	2SA1037AK/RS/-X	CHIP TR.C.M	TUNER SW	
Q3362	2SD601A/R/-X	TRANSISTOR		
Q3571	2SB624/4/-X	TRANSISTOR		
Q3572	2SD601A/R/-X	TRANSISTOR		

BLOCK NO. 04111111

REF.	PARTS NO.	PARTS NAME	REMARKS	SUFFIX
Q4101	2SD2144S/VW/-T	TRANSISTOR I/M		
Q4102	2SD596/4/-X	TRANSISTOR		
Q4201	2SD2144S/VW/-T	TRANSISTOR I/M		
Q4202	2SD596/4/-X	TRANSISTOR		
Q4301	2SD601A/R/-X	TRANSISTOR		
Q7351	2SD601A/R/-X	TRANSISTOR		
Q7352	2SD601A/R/-X	TRANSISTOR		
Q7353	2SA1037AK/RS/-X	CHIP TR.C.M		
Q7354	UN2216-X	TRANSISTOR		
G9001	2SC2714/0/-X	TRANSISTOR	MAIN CLOCK	
G9002	2SC2714/0/-X	TRANSISTOR	MAIN CLOCK	
G9003	2SD601A/R/-X	TRANSISTOR		
G9006	2SA1037AK/RS/-X	CHIP TR.C.M		
G9010	UN2210-X	TRANSISTOR		
G9011	UN2210-X	TRANSISTOR		
G9013	UN2210-X	TRANSISTOR		
R 601	NRSA02J-123X	MG RESISTOR		
R 603	NRSA02J-125X	MG RESISTOR		
R 605	NRSA02J-134X	MG RESISTOR		
R 606	NRSA02J-913X	MG RESISTOR		
R 607	NRSA02J-273X	MG RESISTOR		
R 609	NRSA02J-114X	MG RESISTOR		
R 610	NRSA02J-154X	MG RESISTOR		
R 612	NRSA02J-103X	MG RESISTOR		
R 613	NRSA02J-121X	MG RESISTOR		
R 614	NRSA02J-100X	MG RESISTOR		
R 615	NRSA02J-120X	MG RESISTOR		
R 616	NRSA02J-910X	MG RESISTOR		
R 621	NRSA02J-330X	MG RESISTOR		
R 622	NRSA02J-330X	MG RESISTOR		
R 623	NRSA02J-330X	MG RESISTOR		
R 631	NRSA02J-331X	MG RESISTOR		
R 632	NRSA02J-101X	MG RESISTOR		
R 633	NRSA02J-273X	MG RESISTOR		
R 641	NRSA02J-563X	MG RESISTOR		
R 642	NRSA02J-123X	MG RESISTOR		
R 643	NRSA02J-822X	MG RESISTOR		
R 644	NRSA02J-223X	MG RESISTOR		
R 645	NRSA02J-223X	MG RESISTOR		
R 646	NRSA02J-182X	MG RESISTOR		
R 647	NRSA02J-562X	MG RESISTOR		
R 651	NRSA02J-102X	MG RESISTOR		
R 652	NRSA02J-102X	MG RESISTOR		
R 653	NRSA02J-102X	MG RESISTOR		
R 654	NRSA02J-102X	MG RESISTOR		
R 655	NRSA02J-471X	MG RESISTOR		
R 659	NRSA02J-471X	MG RESISTOR		
R 661	NRSA02J-104X	MG RESISTOR		
R 662	NRSA02J-155X	MG RESISTOR		
R 663	NRSA02J-124X	MG RESISTOR		
R 664	NRSA02J-471X	MG RESISTOR		
R 666	NRSA02J-220X	MG RESISTOR		
R 671	NRSA02J-103X	MG RESISTOR		
R 672	NRSA02J-103X	MG RESISTOR		
R2501	NRS181J-271X	MG RESISTOR		

BLOCK NO. 01111111

A REF.	PARTS NO.	PARTS NAME	REMARKS	SUFFIX
R2504	NRSA02J-101X	MG RESISTOR		
R2505	NRSA02J-101X	MG RESISTOR		
R2506	NRSA02J-121X	MG RESISTOR		
R2507	NRSA02J-151X	MG RESISTOR		
R2508	NRSA02J-221X	MG RESISTOR		
R2509	NRSA02J-271X	MG RESISTOR		
R2510	NRSA02J-391X	MG RESISTOR		
R2511	NRSA02J-561X	MG RESISTOR		
R2512	NRSA02J-102X	MG RESISTOR		
R2513	NRSA02J-182X	MG RESISTOR		
R2514	NRSA02J-391X	MG RESISTOR		
R2515	NRSA02J-473X	MG RESISTOR		
R2516	NRS181J-473X	MG RESISTOR		
R2518	NRSA02J-223X	MG RESISTOR		
R2520	NRSA02J-391X	MG RESISTOR		
R2521	NRSA02J-102X	MG RESISTOR		
R2522	NRSA02J-102X	MG RESISTOR		
R2523	NRSA02J-332X	MG RESISTOR		
R3361	NRSA02J-390X	MG RESISTOR		
R3362	NRSA02J-102X	MG RESISTOR		
R3363	NRSA02J-472X	MG RESISTOR		
R3571	NRSA02J-472X	MG RESISTOR		
R3572	NRSA02J-472X	MG RESISTOR		
R4141	NRSA02J-683X	MG RESISTOR		
R4142	NRSA02J-273X	MG RESISTOR		
R4143	NRSA02J-224X	MG RESISTOR		
R4144	NRSA02J-203X	MG RESISTOR		
R4145	NRSA02J-124X	MG RESISTOR		
R4149	NRSA02J-102X	MG RESISTOR		
R4150	NRSA02J-102X	MG RESISTOR		
R4151	NRSA02J-623X	MG RESISTOR		
R4153	NRSA02J-103X	MG RESISTOR		
R4155	NRSA02J-183X	MG RESISTOR		
R4158	NRSA02J-203X	MG RESISTOR		
R4159	NRSA02J-821X	MG RESISTOR		
R4160	NRSA02J-102X	MG RESISTOR		
R4161	NRSA02J-273X	MG RESISTOR		
R4241	NRSA02J-683X	MG RESISTOR		
R4242	NRSA02J-273X	MG RESISTOR		
R4243	NRSA02J-224X	MG RESISTOR		
R4244	NRSA02J-203X	MG RESISTOR		
R4245	NRSA02J-124X	MG RESISTOR		
R4249	NRSA02J-102X	MG RESISTOR		
R4250	NRSA02J-102X	MG RESISTOR		
R4251	NRSA02J-823X	MG RESISTOR		
R4253	NRSA02J-103X	MG RESISTOR		
R4255	NRSA02J-183X	MG RESISTOR		
R4258	NRSA02J-203X	MG RESISTOR		
R4259	NRSA02J-821X	MG RESISTOR		
R4260	NRSA02J-102X	MG RESISTOR		
R4261	NRSA02J-273X	MG RESISTOR		
R4301	NRSA02J-222X	MG RESISTOR		
R4341	NRSA02J-103X	MG RESISTOR		
R4342	NRSA02J-103X	MG RESISTOR		

BLOCK NO. 01111111

A REF.	PARTS NO.	PARTS NAME	REMARKS	SUFFIX
R4343	NRSA02J-101X	MG RESISTOR		
R7351	NRS181J-101X	MG RESISTOR		
R7352	NRSA02J-223X	MG RESISTOR		
R7353	NRSA02J-223X	MG RESISTOR		
R7354	NRSA02J-103X	MG RESISTOR		
R7355	NRSA02J-222X	MG RESISTOR		
R7356	NRSA02J-564X	MG RESISTOR		
R7357	NRSA02J-104X	MG RESISTOR		
R7358	NRSA02J-102X	MG RESISTOR		
R7359	NRSA02J-103X	MG RESISTOR		
R7360	NRSA02J-103X	MG RESISTOR		
R7361	NRSA02J-224X	MG RESISTOR		
R7362	NRSA02J-102X	MG RESISTOR		
R7363	NRSA02J-102X	MG RESISTOR		
R7364	NRSA02J-103X	MG RESISTOR		
R7365	NRSA02J-473X	MG RESISTOR		
R7366	NRSA02J-104X	MG RESISTOR		
R9001	NRSA02J-681X	MG RESISTOR		
R9002	NRSA02J-681X	MG RESISTOR		
R9003	NRSA02J-222X	MG RESISTOR		
R9004	NRSA02J-222X	MG RESISTOR		
R9005	NRSA02J-153X	MG RESISTOR		
R9006	NRSA02J-472X	MG RESISTOR		
R9007	NRSA02J-222X	MG RESISTOR		
R9009	NRSA02J-102X	MG RESISTOR		
R9010	NRSA02J-103X	MG RESISTOR		
R9011	NRSA02J-222X	MG RESISTOR		
R9012	NRSA02J-222X	MG RESISTOR		
R9013	NRSA02J-222X	MG RESISTOR		
R9014	NRSA02J-102X	MG RESISTOR		
R9015	NRSA02J-104X	MG RESISTOR		
R9016	NRSA02J-224X	RES. C.M		
R9017	NRSA02J-822X	MG RESISTOR		
R9018	NRSA02J-822X	MG RESISTOR		
R9019	NRSA02J-104X	MG RESISTOR		
R9020	NRSA02J-104X	MG RESISTOR		
R9021	NRSA02J-102X	MG RESISTOR		
R9022	NRSA02J-682X	MG RESISTOR		
R9023	NRSA02J-103X	MG RESISTOR		
R9024	NRSA02J-103X	MG RESISTOR		
R9025	NRSA02J-103X	MG RESISTOR		
R9026	NRSA02J-102X	MG RESISTOR		
R9027	NRSA02J-103X	MG RESISTOR		
R9028	NRSA02J-102X	MG RESISTOR		
R9029	NRSA02J-102X	MG RESISTOR		
R9030	NRSA02J-102X	MG RESISTOR		
R9031	NRSA02J-102X	MG RESISTOR		
R9032	NRSA02J-103X	MG RESISTOR		
R9033	NRSA02J-102X	MG RESISTOR		
R9035	NRSA02J-103X	MG RESISTOR		
R9036	NRSA02J-102X	MG RESISTOR		
R9037	NRSA02J-102X	MG RESISTOR		
R9038	NRSA02J-103X	MG RESISTOR		
R9039	NRSA02J-103X	MG RESISTOR		
R9041	NRSA02J-104X	MG RESISTOR		

Main board

BLOCK NO. 02

A	REF.	PARTS NO.	PARTS NAME	REMARKS	SUFFIX
	BS 1	VVH5483-001	BATTERY SPRING	FOR UM-1	
	BS 2	VVH7199-001	BATTERY SPRING	FOR UM-3	
	CN191	AGA2501C1-05	5P CONNECTOR		
	CN192	AGA3901C1-02	CONNECTOR		
	CN193	AGA7901C1-04	CONNECTOR		
	CN631	GGF1205C1-13	CONNECTOR		
	CN632	GGF1205C1-14	CONNECTOR		
	CN633	GG82501K1-04	CONNECTOR		
	C1901	GFLM1HJ-683Z	M CAPACITOR	.068MF 5% 50V	
	C1902	GFLM1HJ-683Z	M CAPACITOR	.068MF 5% 50V	
	C1903	GFLM1HJ-683Z	M CAPACITOR	.068MF 5% 50V	
	C1904	GFLM1HJ-683Z	M CAPACITOR	.068MF 5% 50V	
	C3191	GET41HM-475	E CAPACITOR	4.7MF 20% 50V	
	C3192	GET41EM-107	E CAPACITOR	100MF 20% 25V	
	C3301	GDYB1CM-103Y	ABCAPACITOR		
	C3302	GET41CM-107	E CAPACITOR	100MF 20% 16V	
	C3303	GFV1HJ-334Z	M CAPACITOR	.33MF 5% 50V	
	C3304	GET41CM-107	E CAPACITOR	100MF 20% 16V	
	C3791	GDYB1CM-103Y	ABCAPACITOR		
	C3901	GET41AM-107	E CAPACITOR	100MF 20% 10V	
	C3902	GD31EM-104Z	C CAPACITOR		
	C5101	GFLM1HJ-222Z	M CAPACITOR	2200PF 5% 50V	
	C5102	GET1H28-475Z	E CAPACITOR		
	C5103	GET1H06-475Z	E CAPACITOR	.056MF 5% 50V	
	C5104	GFLM1HJ-563Z	M CAPACITOR	.056MF 5% 50V	
	C5105	GFLM1HJ-563Z	M CAPACITOR	5600PF 5% 50V	
	C5106	GFLM1HJ-562Z	M CAPACITOR	2200PF 5% 50V	
	C5201	GFLM1HJ-222Z	M CAPACITOR		
	C5202	GET1H28-475Z	E CAPACITOR		
	C5203	GET1H06-475Z	E CAPACITOR		
	C5204	GFLM1HJ-563Z	M CAPACITOR	.056MF 5% 50V	
	C5205	GFLM1HJ-563Z	M CAPACITOR	5600PF 5% 50V	
	C5206	GFLM1HJ-562Z	M CAPACITOR	2200PF 5% 50V	
	C5301	GETN1HM-106Z	E CAPACITOR	10MF 20% 50V	
	C5302	GET41HM-105	E CAPACITOR	1.0MF 20% 50V	
	C5303	GETN1HM-225Z	E CAPACITOR	.47MF 20% 50V	
	C5304	GET41HM-105	E CAPACITOR	1.0MF 20% 50V	
	C5305	GETN1HM-106Z	E CAPACITOR	10MF 20% 50V	
	C5306	GETN1HM-225Z	E CAPACITOR	2.2MF 20% 50V	
	C5307	GFLM1HJ-473Z	M CAPACITOR	.047MF 5% 50V	
	C5309	GET41HM-474	E CAPACITOR	.47MF 20% 50V	
	C6101	GET1H06-475Z	E CAPACITOR		
	C6102	QCBB1HK-151Y	C CAPACITOR	150PF 10% 50V	
	C6103	GFV41HJ-104	TF CAPACITOR	.10MF 5% 50V	
	C6104	GFV41HJ-104	TF CAPACITOR	.10MF 5% 50V	
	C6201	GET1H06-475Z	E CAPACITOR		
	C6202	QCBB1HK-151Y	C CAPACITOR	150PF 10% 50V	
	C6203	GFV41HJ-104	TF CAPACITOR	.10MF 5% 50V	
	C6204	GFV41HJ-104	TF CAPACITOR	.10MF 5% 50V	
	C6301	GET1C28-227Z	E CAPACITOR	33MF 20% 25V	
	C6303	GETN1HM-336Z	E CAPACITOR		
	C6304	GETN1HM-225Z	E CAPACITOR	2.2MF 20% 50V	
	C6305	GETN1HM-225Z	E CAPACITOR	2.2MF 20% 50V	
	C6306	GET41EM-107	E CAPACITOR	100MF 20% 25V	
	C6306	GET41HM-105	E CAPACITOR	1.0MF 20% 50V	

BLOCK NO. 02

A	REF.	PARTS NO.	PARTS NAME	REMARKS	SUFFIX
	C6307	GET41HM-105	E CAPACITOR	1.0MF 20% 50V	
	C6308	GFV41HJ-473	CAPACITOR	.047MF 5% 50V	
	C6309	GFV41HJ-473	CAPACITOR	.047MF 5% 50V	
	C6314	QTE1E28-476Z	E CAPACITOR		
	C6315	QETN1EM-688	E CAPACITOR	6800MF 20% 25V	
	C6321	GETN1HM-106Z	E CAPACITOR	10MF 20% 50V	
	C8101	GFN41HJ-124	M CAPACITOR	.12MF 5% 50V	
	C8102	GFN41HJ-124	M CAPACITOR	.12MF 5% 50V	
	C8103	QTE1E06-226Z	E CAPACITOR		
	C8105	GFV41HJ-684Z	TF CAPACITOR	.68MF 5% 50V	
	C8106	QCS11HJ-150	C CAPACITOR	15PF 5% 50V	
	C8201	GFN41HJ-124	M CAPACITOR	.12MF 5% 50V	
	C8202	GFN41HJ-124	M CAPACITOR	.12MF 5% 50V	
	C8203	QTE1E06-226Z	E CAPACITOR		
	C8205	GFV41HJ-684Z	TF CAPACITOR	.68MF 5% 50V	
	C8206	QCS11HJ-150	C CAPACITOR	15PF 5% 50V	
	C8301	GET41CM-476	E CAPACITOR	47MF 20% 16V	
	C8303	GETN1HM-104Z	E CAPACITOR	.10MF 20% 50V	
	C8304	GET41HM-475	E CAPACITOR	4.7MF 20% 50V	
	C8305	GETN1HM-106Z	E CAPACITOR	10MF 20% 50V	
	C8322	GET41CM-476	E CAPACITOR	47MF 20% 16V	
	C8351	QCS11HJ-680	C CAPACITOR	68PF 5% 50V	
	C8352	QCBB1HK-221Y	C CAPACITOR	220PF 10% 50V	
	C8353	QCBB1HK-221Y	C CAPACITOR	220PF 10% 50V	
	C8354	QCS11HJ-330	C CAPACITOR	33PF 5% 50V	
	C8355	GFV1HJ-393Z	CAPACITOR	.039MF 5% 50V	
	C8356	GET41CM-107	E CAPACITOR	100MF 20% 16V	
	C8357	QCBB1HK-101Y	C CAPACITOR	100PF 10% 50V	
	C8358	GET41HM-226	E CAPACITOR	22MF 20% 50V	
	C8359	GETN1HM-106Z	E CAPACITOR	10MF 20% 50V	
	C8360	GFLM1HJ-222Z	M CAPACITOR	2700PF 5% 50V	
	C8361	GFLM1HJ-104Z	M CAPACITOR	.10MF 5% 50V	
	C8362	GFLM1HJ-473Z	M CAPACITOR	.047MF 5% 50V	
	C8363	QCBB1HK-101Y	C CAPACITOR	100PF 10% 50V	
	C8364	GDYB1CM-103Y	ABCAPACITOR		
	A	D1901	KBU603G-A3	DIODE	
		D1902	1N5401-TM	DIODE	
		D3192	MTZJ3-OB-T2	Z-DIODE I-M	
		D3194	MTZJ7-5A-T2	Z-DIODE	
		D3195	1SS133-T2	DIODE	
		D3301	1SS133-T2	DIODE	
		D3302	1SS133-T2	DIODE	
		D3791	MTZJ6-2A-T2	Z-DIODE IDM	
		D3901	MTZJ8-2B-T2	DIODE	
		D6301	1SS133-T2	DIODE	
		D6302	1SS133-T2	DIODE	
		D6303	1SS133-T2	DIODE	
		D6304	1SS133-T2	DIODE	
		D8301	MTZJ4-3B-T2	ZENER DIODE	
		D8302	1SS133-T2	DIODE	
		D8303	1SS133-T2	DIODE	
		D8304	1SS133-T2	DIODE	
		D8351	1SS133-T2	DIODE	
		D8352	1SS133-T2	DIODE	
		D8353	1SS133-T2	DIODE	

BLOCK NO. 01111111

REF.	PARTS NO.	PARTS NAME	REMARKS	SUFFIX
R9044	NRSA02J-222X	MG RESISTOR		
R9045	NRSA02J-333X	MG RESISTOR		
R9046	NRSA02J-682X	MG RESISTOR		
R9047	NRSA02J-103X	MG RESISTOR		
R9048	NRSA02J-103X	MG RESISTOR		
R9049	NRSA02J-103X	MG RESISTOR		
R9050	NRSA02J-222X	MG RESISTOR		
R9051	NRSA02J-222X	MG RESISTOR		
R9052	NRSA02J-222X	MG RESISTOR		
R9053	NRSA02J-222X	MG RESISTOR		
R9054	NRSA02J-222X	MG RESISTOR		
R9055	NRSA02J-222X	MG RESISTOR		
R9056	NRSA02J-222X	MG RESISTOR		
R9057	NRSA02J-103X	MG RESISTOR		
R9059	NRSA02J-102X	MG RESISTOR		
R9061	NRSA02J-104X	MG RESISTOR		
R9062	NRSA02J-104X	MG RESISTOR		
R9063	NRSA02J-104X	MG RESISTOR		
R9065	NRSA02J-563X	MG RESISTOR		
R9066	NRSA02J-473X	MG RESISTOR		
R9067	NRSA02J-333X	MG RESISTOR		
R9068	NRSA02J-104X	MG RESISTOR		
R9069	NRSA02J-102X	MG RESISTOR		
R9070	NRSA02J-102X	MG RESISTOR		
R9071	NRSA02J-223X	MG RESISTOR		
R9072	NRSA02J-333X	MG RESISTOR		
R9073	NRSA02J-222X	MG RESISTOR		
R9074	NRSA02J-103X	MG RESISTOR		
R9075	NRSA02J-102X	MG RESISTOR		
R9076	NRSA02J-102X	MG RESISTOR		
R9077	NRSA02J-472X	MG RESISTOR		
R9078	NRSA02J-223X	MG RESISTOR		
R9079	NRSA02J-243X	MG RESISTOR		
R9080	NRSA02J-243X	MG RESISTOR		
R9081	NRSA02J-912X	MG RESISTOR		
R9082	NRSA02J-102X	MG RESISTOR		
R9083	NRSA02J-473X	MG RESISTOR		
R9084	NRSA02J-222X	MG RESISTOR		
R9085	NRSA02J-912X	MG RESISTOR		
R9086	NRSA02J-473X	MG RESISTOR		
R9087	NRSA02J-222X	MG RESISTOR		
R9088	NRSA02J-222X	MG RESISTOR		
R9089	NRSA02J-103X	MG RESISTOR		
R9092	NRSA02J-103X	MG RESISTOR		
R9093	NRSA02J-393X	MG RESISTOR		
R9094	NRSA02J-473X	MG RESISTOR		
R9095	NRSA02J-103X	MG RESISTOR		
R9096	NRSA02J-623X	MG RESISTOR	WITH OUT UY	UY
R9096	NRSA02J-104X	MG RESISTOR		
R9097	NRSA02J-683X	MG RESISTOR		
R9098	NRSA02J-103X	MG RESISTOR		
R9099	NRSA02J-104X	MG RESISTOR		
R9099	NRSA02J-823X	MG RESISTOR	WITH OUT UY UX	UY
R9101	NRSA02J-102X	MG RESISTOR		
R9102	NRSA02J-102X	MG RESISTOR		

BLOCK NO. 01111111

REF.	PARTS NO.	PARTS NAME	REMARKS	SUFFIX
S2501	QSW0647-001Z	TACT SWITCH		
S2502	QSW0647-001Z	TACT SWITCH		
S2503	QSW0647-001Z	TACT SWITCH		
S2504	QSW0647-001Z	TACT SWITCH		
S2505	QSW0647-001Z	TACT SWITCH		
S2506	QSW0647-001Z	TACT SWITCH		
S2507	QSW0647-001Z	TACT SWITCH		
S2508	QSW0647-001Z	TACT SWITCH		
S2509	QSW0647-001Z	TACT SWITCH		
S2510	QSW0647-001Z	TACT SWITCH		
S2511	QSW0647-001Z	TACT SWITCH		
S2512	QSW0647-001Z	TACT SWITCH		
S2513	QSW0647-001Z	TACT SWITCH		
S2514	QSW0647-001Z	TACT SWITCH		
S2515	QSW0647-001Z	TACT SWITCH		
S2521	QSW0122-001	PUSH SWITCH		
VR731	QVQ0112-B24	V RESISTOR		
X 651	GAX0411-001	CRYSTAL	16.9344MHZ	
X9001	GAX0401-001	CRYSTAL	SUB CLOCK	
X9002	GAX0410-001Z	CERA LOCK	MAIN CLOCK	

BLOCK NO. 02

REF.	PARTS NO.	PARTS NAME	REMARKS	SUFFIX
D8354	1SS133-T2	DIODE		
D8355	1SS133-T2	DIODE		
D8356	1SS133-T2	DIODE		
D8357	1SS133-T2	DIODE		
D8358	1SS133-T2	DIODE		
FW601	WJK0042-001A	E-SI C WIRE C-B		
FW901	WJK0044-001A	E-SI C WIRE C-B		
FW902	WJK0043-001A	E-SI C WIRE C-B		
IC310	BA44W12ST-V5/Z1	IC		
IC390	TA78DL06S	IC		
IC501	BH3852S	IC		
IC631	LA4705NA	IC		
IC801	BA15218N	IC	BB AMP	
IC831	BA15218N	IC		
J1901	QNC0042-001	AC SOCKET		
J1902	QNA0016-001	DC JACK		
J6301	QNS0072-001	HEADPHONE JACK		
Q3191	DTA114TSA-T	D.TR I.M		
Q3192	2SB1565/EF/-T	TRANSISTOR		
Q3193	2SA1175/HFE/-T	TRANSISTOR		
Q3194	2SC2785/FE/-T	TRANSISTOR		
Q3198	DTC114TSA-T	D.TR I.M		
Q3791	2SC2785/HFE/-T	TRANSISTOR		
Q5101	2SK105/EF/-T	FET I/M		
Q5201	2SK105/EF/-T	FET I/M		
Q6101	KTC3203/OV/-T	TRANSISTOR		
Q6201	KTC3203/OV/-T	TRANSISTOR		
Q6301	DTA114ESA-T	D.TRANSISTOR	MUTE DRIV	
Q8101	2SC2785/FE/-T	TRANSISTOR		
Q8102	2SC2785/FE/-T	TRANSISTOR		
Q8103	2SC2785/FE/-T	TRANSISTOR		
Q8201	2SC2785/FE/-T	TRANSISTOR		
Q8202	2SC2785/FE/-T	TRANSISTOR		
Q8203	2SC2785/FE/-T	TRANSISTOR		
Q8301	DTC144TSA-T	D.TRANSISTOR		
Q8302	DTA114ESA-T	D.TRANSISTOR		
Q8351	DTC124TSA-T	TRANSISTOR		
Q8352	2SA1175/HFE/-T	TRANSISTOR		
Q8353	2SC2785/HFE/-T	TRANSISTOR		
Q8354	2SC2785/HFE/-T	TRANSISTOR		
R1901	GRE141J-103Y	C RESISTOR	AC/DC	
R3191	GRE141J-391Y	C RESISTOR	390 5% 1/4W	
R3192	GRE141J-391Y	C RESISTOR	390 5% 1/4W	
R3193	GRE141J-104Y	C RESISTOR	100K 5% 1/4W	
R3194	GRE141J-103Y	C RESISTOR	10K 5% 1/4W	
R3195	GRE141J-1R2Y	C RESISTOR	1.2 5% 1/4W	
R3196	GRE141J-1R2Y	C RESISTOR	1.2 5% 1/4W	
R3197	GRE141J-1R2Y	C RESISTOR	1.2 5% 1/4W	
R3201	GRE141J-152Y	C RESISTOR	1.5K 5% 1/4W	
R3202	GRE141J-152Y	C RESISTOR	1.5K 5% 1/4W	
R3203	GRE141J-103Y	C RESISTOR	10K 5% 1/4W	
R3204	GRE141J-222Y	C RESISTOR	2.2K 5% 1/4W	
R3301	GRE141J-102Y	C RESISTOR	1.0K 5% 1/4W	
R3302	GRE141J-682Y	C RESISTOR	6.8K 5% 1/4W	
R3303	GRE141J-392Y	C RESISTOR	3.9K 5% 1/4W	

BLOCK NO. 02

REF.	PARTS NO.	PARTS NAME	REMARKS	SUFFIX
C6307	QET41HM-105	E CAPACITOR	1.0MF 20% 50V	
C6308	QFV41HJ-473	CAPACITOR	-0.47MF 5% 50V	
C6309	QFV41HJ-473	CAPACITOR	-0.47MF 5% 50V	
C6314	QTE1E28-476Z	E CAPACITOR	6800MF 20% 25V	
C6315	QETM1EM-688	E CAPACITOR	10MF 20% 50V	
C6321	QETN1HM-106Z	E CAPACITOR	-12MF 5% 50V	
C8101	QFN41HJ-124	M.CAPACITOR	-12MF 5% 50V	
C8102	QFN41HJ-124	M.CAPACITOR	-12MF 5% 50V	
C8103	QTE1E06-226Z	E.CAPACITOR	.68MF 5% 50V	
C8105	QFVF1HJ-684Z	TF CAPACITOR	15PF 5% 50V	
C8106	QCS11HJ-150	C CAPACITOR	-12MF 5% 50V	
C8201	QFN41HJ-124	M.CAPACITOR	-12MF 5% 50V	
C8202	QFN41HJ-124	M.CAPACITOR	-12MF 5% 50V	
C8203	QTE1E06-226Z	E.CAPACITOR	-12MF 5% 50V	
C8205	QFVF1HJ-684Z	TF CAPACITOR	-68MF 5% 50V	
C8206	QCS11HJ-150	C CAPACITOR	15PF 5% 50V	
C8301	QET41CM-476	E CAPACITOR	47MF 20% 16V	
C8303	QETN1HM-104Z	E CAPACITOR	-10MF 20% 50V	
C8304	QET41HM-475	E CAPACITOR	4.7MF 20% 50V	
C8305	QETN1HM-106Z	E CAPACITOR	10MF 20% 50V	
C8322	QET41CM-476	E CAPACITOR	47MF 20% 16V	
C8351	QCS11HJ-680	C CAPACITOR	68PF 5% 50V	
C8352	QCBBIHK-221Y	C CAPACITOR	220PF 10% 50V	
C8353	QCBBIHK-221Y	C CAPACITOR	220PF 10% 50V	
C8354	QCS11HJ-350	C CAPACITOR	33PF 5% 50V	
C8355	QFV11HJ-393Z	CAPACITOR	.039MF 5% 50V	
C8356	QET41CM-107	E CAPACITOR	100MF 20% 16V	
C8357	QCBBIHK-101Y	C CAPACITOR	100PF 10% 50V	
C8358	QET41HM-226	E CAPACITOR	22MF 20% 50V	
C8359	QETN1HM-106Z	E CAPACITOR	10MF 20% 50V	
C8360	QFLM1HJ-272Z	M CAPACITOR	2700PF 5% 50V	
C8361	QFLM1HJ-104Z	M CAPACITOR	-10MF 5% 50V	
C8362	QFLM1HJ-473Z	M CAPACITOR	-0.47MF 5% 50V	
C8363	QCBBIHK-101Y	C CAPACITOR	100PF 10% 50V	
C8364	QDYB1CM-103Y	ABCAPACITOR		
D1901	KBU603G-A3	DIODE		
D1902	1N5401-TM	DIODE		
D3192	MTZJ3-0B-T2	Z-DIODE I.M		
D3194	MTZJ7-5A-T2	Z-DIODE		
D3195	1SS133-T2	DIODE		
D3301	1SS133-T2	DIODE		
D3302	1SS133-T2	DIODE		
D3791	MTZJ6-2A-T2	Z-DIODE IDM		
D3901	MTZJ8-2B-T2	DIODE		
D6301	1SS133-T2	DIODE		
D6302	1SS133-T2	DIODE		
D6303	1SS133-T2	DIODE		
D6304	1SS133-T2	DIODE		
D8301	MTZJ4-3B-T2	ZENER DIODE		
D8302	1SS133-T2	DIODE		
D8303	1SS133-T2	DIODE		
D8304	1SS133-T2	DIODE		
D8351	1SS133-T2	DIODE		
D8352	1SS133-T2	DIODE		
D8353	1SS133-T2	DIODE		



Tuner board

BLOCK NO. 02

BLOCK NO. 03

REF.	PARTS NO.	PARTS NAME	REMARKS	SUFFIX
R8202	QRE141J-562Y	C RESISTOR	5.6K 5% 1/4W	
R8203	QRE141J-182Y	C RESISTOR	1.8K 5% 1/4W	
R8204	QRE141J-184Y	C RESISTOR	180K 5% 1/4W	
R8205	QRE141J-821Y	C RESISTOR	820 5% 1/4W	
R8207	QRE141J-153Y	C RESISTOR	15K 5% 1/4W	
R8208	QRE141J-152Y	C RESISTOR	1.5K 5% 1/4W	
R8209	QRE141J-474Y	C RESISTOR	470K 5% 1/4W	
R8211	QRE141J-104Y	C RESISTOR	100K 5% 1/4W	
R8213	QRE141J-472Y	C RESISTOR	4.7K 5% 1/4W	
R8214	QRE141J-821Y	C RESISTOR	820 5% 1/4W	
R8215	QRE141J-104Y	C RESISTOR	100K 5% 1/4W	
R8216	QRE141J-154Y	C RESISTOR	150K 5% 1/4W	
R8217	QRE141J-103Y	C RESISTOR	10K 5% 1/4W	
R8301	QRE141J-152Y	C RESISTOR	1.5K 5% 1/4W	
R8302	QRE141J-474Y	C RESISTOR	470K 5% 1/4W	
R8303	QRE141J-223Y	C RESISTOR	22K 5% 1/4W	
R8304	QRE141J-473Y	C RESISTOR	47K 5% 1/4W	
R8305	QRE141J-153Y	C RESISTOR	15K 5% 1/4W	
R8306	QRE141J-473Y	C RESISTOR	47K 5% 1/4W	
R8321	QRE141J-101Y	C RESISTOR	100 5% 1/4W	
R8327	QRE141J-223Y	C RESISTOR	22K 5% 1/4W	
R8351	QRE141J-473Y	C RESISTOR	47K 5% 1/4W	
R8352	QRE141J-104Y	C RESISTOR	100K 5% 1/4W	
R8354	QRE141J-101Y	C RESISTOR	100 5% 1/4W	
R8355	QRE141J-474Y	C RESISTOR	470K 5% 1/4W	
R8356	QRE141J-124Y	C RESISTOR	120K 5% 1/4W	
R8357	QRE141J-101Y	C RESISTOR	100 5% 1/4W	
R8358	QRE141J-475Y	C RESISTOR	4.7M 5% 1/4W	
R8359	QRE141J-102Y	C RESISTOR	1.0K 5% 1/4W	
R8360	QRE141J-822Y	C RESISTOR	8.2K 5% 1/4W	
R8361	QRE141J-473Y	C RESISTOR	47K 5% 1/4W	
R8362	QRE141J-822Y	C RESISTOR	8.2K 5% 1/4W	
R8363	QRE141J-101Y	C RESISTOR	100 5% 1/4W	
R8364	QRE141J-473Y	C RESISTOR	47K 5% 1/4W	
R8365	QRE141J-101Y	C RESISTOR	100 5% 1/4W	
R8366	QRE141J-224Y	C RESISTOR	220K 5% 1/4W	
R8367	QRE141J-151Y	C RESISTOR	150 5% 1/4W	
R8368	QRE141J-473Y	C RESISTOR	47K 5% 1/4W	
R8369	QRE141J-473Y	C RESISTOR	47K 5% 1/4W	
R8370	QRE141J-275Y	C RESISTOR	2.7M 5% 1/4W	
R8372	QRE141J-103Y	C RESISTOR	10K 5% 1/4W	
R8373	QRE141J-103Y	C RESISTOR	10K 5% 1/4W	
S1901	QSN0555-001	VOLTAGE SELECTOR		
Z1901	QNG0020-001Z	FUSE CLIP		
Z1902	QNG0020-001Z	FUSE CLIP	FOR F1902	
Z1904	QNG0020-001Z	FUSE CLIP	FOR F1904	
Z1911	QNG0020-001Z	FUSE CLIP		
Z1922	QNG0020-001Z	FUSE CLIP	FOR F1902	
Z1944	QNG0020-001Z	FUSE CLIP	FOR F1904	

REF.	PARTS NO.	PARTS NAME	REMARKS	SUFFIX
BP	QQR0768-001Z	BP FILTER	BPF	
C 1	QCSB1HK-6R8Y	C CAPACITOR	6.8PF 10% 50V	
C 6	QDYB1CM-103Y	ABCAPACITOR		
C 7	QCS11HJ-200	C CAPACITOR	20PF 5% 50V	
C 9	QCS11HJ-120	C CAPACITOR	12PF 5% 50V	
C 13	QDX31EM-223Z	C CAPACITOR		
C 16	QDYB1CM-103Y	ABCAPACITOR		
C 17	QCS11HJ-200	C CAPACITOR	20PF 5% 50V	
C 21	QDX31EM-473Z	C CAPACITOR		
C 22	QFP41HK-431Y	PP CAPACITOR	430PF 5% 50V	
C 23	QDCB1HK-6R7Y	C CAPACITOR		
C 25	QDX31EM-223Z	C CAPACITOR		
C 26	QFLM1HJ-472Z	M CAPACITOR	4700PF 5% 50V	
C 31	QDGB1HK-102Y	C CAPACITOR		
C 32	QDYB1CM-103Y	ABCAPACITOR		
C 33	QET41AM-107	E CAPACITOR	100MF 20% 10V	
C 35	QDYB1CM-103Y	ABCAPACITOR		
C 36	QET41HM-475	E CAPACITOR	4.7MF 20% 50V	
C 37	QDGB1HK-102Y	C CAPACITOR		
C 41	QET41CM-106	E CAPACITOR	10MF 20% 16V	
C 42	QDX31EM-473Z	C CAPACITOR		
C 43	QDYB1CM-103Y	ABCAPACITOR		
C 44	QETN1HM-104Z	E CAPACITOR	.10MF 20% 50V	
C 45	QET41HM-474	E CAPACITOR	.47MF 20% 50V	
C 47	QDX31EM-123Z	C CAPACITOR		
C 48	QDX31EM-123Z	C CAPACITOR		
C 49	QETN1HM-104Z	E CAPACITOR	.10MF 20% 50V	
C 50	QETN1HM-104Z	E CAPACITOR	.10MF 20% 50V	
C 51	QCB81HK-331Y	C CAPACITOR	330PF 10% 50V	
C 52	QDGB1HK-102Y	C CAPACITOR		
C 56	QDGB1HK-102Y	C CAPACITOR		
C 60	QDGB1HK-102Y	C CAPACITOR		
C 61	QET41AM-107	E CAPACITOR	100MF 20% 10V	
C 62	QDCB1HJ-120Y	C CAPACITOR		
C 63	QDGB1HK-102Y	C CAPACITOR		
C 64	QDCB1HJ-120Y	C CAPACITOR		
C 65	QDGB1HK-102Y	C CAPACITOR		
C 66	QCB81HK-151Y	C CAPACITOR	150PF 10% 50V	
C 69	QDX81CM-222Y	C CAPACITOR		
C 70	QETN1HM-225Z	E CAPACITOR	2.2MF 20% 50V	
C 71	QETN1HM-335Z	E CAPACITOR	3.3MF 20% 50V	
C 74	QCB81HK-221Y	C CAPACITOR	220PF 10% 50V	
C 75	QDCB1HK-6R8Y	C CAPACITOR		
C 76	QDX31EM-103Z	C CAPACITOR		
C 77	QDGB1HK-102Y	C CAPACITOR		
C 78	QDCB1HK-5R6Y	C CAPACITOR		
CF 1	QAX0403-001	C FILTER		
CF 3	QAX0404-001Z	C FILTER		
CF 4	QAX0409-001	CERA LOCK		
CN 1	QGF1205C1-09	CONNECTOR	TO MAIN	
D 1	SVC2033PA-JV-T	VARI CAP		
D 2	SVC2033PA-JV-T	VARI CAP		
D 5	1SS133-T2	DIODE		
D 6	1SS133-T2	DIODE		
D 8	SVC3344-T	VARI CAP		

BLOCK NO. 03

A	REF.	PARTS NO.	PARTS NAME	REMARKS	SUFFIX
	R 64	GRE141J-102Y	C RESISTOR	1.0K 5% 1/4W	
	R 66	GRE141J-103Y	C RESISTOR	10K 5% 1/4W	
	R 71	GRE141J-472Y	C RESISTOR	4.7K 5% 1/4W	
	R 72	GRE141J-473Y	C RESISTOR	47K 5% 1/4W	
	T 2	QGR0719-001	IFT		
	TC 2	GAT3725-200Z	T CAPACITOR	MW RF	
	TC 3	GAT3725-100Z	T CAPACITOR		
	TP 1	GN20104-001	POST PIN	TO ROD ANT	
	TP 2	GN20104-001	POST PIN	GND	
	X 1	GAX0402-001	CRYSTAL		

BLOCK NO. 05

A	REF.	PARTS NO.	PARTS NAME	REMARKS	SUFFIX
	D 10	SVC344-T	VARI CAP		
	D 12	DSK10C-T1	DIODE		
	IC 1	TA2008AN	IC		
	IC 2	LC72136N	IC		
	L 1	QGR0772-001	OSC COIL	FM OSC	
	L 2	QGR0769-001	RF COIL	FM RF	
	L 3	QGR0770-001	BAR ANTENA	MW RF	
	L 4	QGR0723-001	OSC COIL(MM)	MW OSC	
	L 6	QGR0775-001	OSC COIL		
	L 7	QGL231K-221Y	INDUCTOR		
	L 12	QGR0756-001	INDUCTOR		
	L 13	QGR0874-001	COIL		
	Q 3	2SC2668/0/-T	TRANSISTOR TAPE		
	Q 4	2SA1175/HFE/-T	TRANSISTOR TAPE		
	Q 5	2SC2668/0/-T	TRANSISTOR TAPE		
	Q 6	2SC2668/0/-T	TRANSISTOR TAPE		
	Q 16	2SC2668/0/-T	TRANSISTOR TAPE		
	Q 17	DTA114YSA-T	D.TR-I-M		
	R 1	GRE141J-104Y	C RESISTOR	100K 5% 1/4W	
	R 2	GRE141J-473Y	C RESISTOR	47K 5% 1/4W	
	R 3	GRE141J-487Y	C RESISTOR	4.7 5% 1/4W	
	R 7	GRE141J-104Y	C RESISTOR	100K 5% 1/4W	
	R 9	GRE141J-102Y	C RESISTOR	1.0K 5% 1/4W	
	R 12	GRE141J-472Y	C RESISTOR	4.7K 5% 1/4W	
	R 13	GRE141J-104Y	C RESISTOR	100K 5% 1/4W	
	R 15	GRE141J-222Y	C RESISTOR	2.2K 5% 1/4W	
	R 16	GRE141J-472Y	C RESISTOR	4.7K 5% 1/4W	
	R 17	GRE141J-104Y	C RESISTOR	100K 5% 1/4W	
	R 18	GRE141J-102Y	C RESISTOR	1.0K 5% 1/4W	
	R 20	GRE141J-102Y	C RESISTOR	1.0K 5% 1/4W	
	R 21	GRE141J-103Y	C RESISTOR	10K 5% 1/4W	
	R 28	GRE141J-512Y	C RESISTOR	5.1K 5% 1/4W	
	R 30	GRE141J-104Y	C RESISTOR	100K 5% 1/4W	
	R 32	GRE141J-223Y	C RESISTOR	22K 5% 1/4W	
	R 33	GRE141J-101Y	C RESISTOR	100 5% 1/4W	
	R 34	GRE141J-393Y	C RESISTOR	39K 5% 1/4W	
	R 35	GRE141J-393Y	C RESISTOR	39K 5% 1/4W	
	R 37	GRE141J-560Y	C RESISTOR	56 5% 1/4W	
	R 40	GRE141J-222Y	C RESISTOR	2.2K 5% 1/4W	
	R 41	GRE141J-222Y	C RESISTOR	2.2K 5% 1/4W	
	R 42	GRE141J-473Y	C RESISTOR	47K 5% 1/4W	
	R 44	GRE141J-222Y	C RESISTOR	2.2K 5% 1/4W	
	R 45	GRE141J-102Y	C RESISTOR	1.0K 5% 1/4W	
	R 46	GRE141J-103Y	C RESISTOR	10K 5% 1/4W	
	R 47	GRE141J-471Y	C RESISTOR	470 5% 1/4W	
	R 48	GRE141J-102Y	C RESISTOR	1.0K 5% 1/4W	
	R 51	GRE141J-102Y	C RESISTOR	1.0K 5% 1/4W	
	R 52	GRE141J-472Y	C RESISTOR	4.7K 5% 1/4W	
	R 54	GRE141J-222Y	C RESISTOR	2.2K 5% 1/4W	
	R 55	GRE141J-222Y	C RESISTOR	2.2K 5% 1/4W	
	R 56	GRE141J-332Y	C RESISTOR	3.3K 5% 1/4W	
	R 57	GRE141J-102Y	C RESISTOR	1.0K 5% 1/4W	
	R 59	GRE141J-102Y	C RESISTOR	1.0K 5% 1/4W	
	R 60	GRE141J-102Y	C RESISTOR	1.0K 5% 1/4W	
	R 61	GRE141J-102Y	C RESISTOR	1.0K 5% 1/4W	

■ Switch board

BLOCK NO. 04111111

REF.	PARTS NO.	PARTS NAME	REMARKS	SUFFIX
CN 1	QGB20111-10	10P PLUG ASSY		
D 1	1SR139-100-T2	SI DIODE		
IC 1	SG-105F3-BB-C	PHOTO SENSER		
P 1	QWZ0104-001	POST PIN		
SW 1	MYS00220MVLO	CASSETTE SWITCH	R.REC	
SW 2	MYS00220MVLO	CASSETTE SWITCH	TAPE	
SW 4	MYS00220MVLO	CASSETTE SWITCH	70U	
SW 5	MYS00220MVLO	CASSETTE SWITCH	F.REC	
SW 6	QSN0507-001	SWITCH		

■ Head amp. board

BLOCK NO. 05111111

REF.	PARTS NO.	PARTS NAME	REMARKS	SUFFIX
C 101	NCB21HJ-821X	C CAPACITOR	820PF 5% 50V	
C 102	NCB21HJ-221X	C CAPACITOR	220PF 5% 50V	
C 103	QEK40JM-227	E CAPACITOR	220MF 20% 6.3V	
C 104	NCB21HK-333X	C CAPACITOR	.033MF 10% 50V	
C 105	NCB21HK-222X	C CAPACITOR	2200PF 10% 50V	
C 106	QEK41CM-106	E CAPACITOR	10MF 20% 16V	
C 107	NCB21HJ-561X	C CAPACITOR	560PF 5% 50V	
C 108	QEK41EM-475	E CAPACITOR	4.7MF 20% 25V	
C 109	QEK41EM-475	E CAPACITOR	4.7MF 20% 25V	
C 110	NCB21HK-682X	C.CAPA. C.M	6800PF 10% 50V	
C 111	NCB21HK-122X	C CAPACITOR	1200PF 10% 50V	
C 112	NCB21EK-683X	C CAPACITOR	.068MF 10% 25V	
C 113	NCB21HK-222X	C CAPACITOR	2200PF 10% 50V	
C 121	NCB21HJ-331X	C CAPACITOR	330PF 5% 50V	
C 201	NCB21HJ-821X	C CAPACITOR	820PF 5% 50V	
C 202	NCB21HJ-221X	C CAPACITOR	220PF 5% 50V	
C 203	QEK40JM-227	E CAPACITOR	220MF 20% 6.3V	
C 204	NCB21HK-333X	C CAPACITOR	.033MF 10% 50V	
C 205	NCB21HK-222X	C CAPACITOR	2200PF 10% 50V	
C 206	QEK41CM-106	E CAPACITOR	10MF 20% 16V	
C 207	NCB21HJ-561X	C CAPACITOR	560PF 5% 50V	
C 208	QEK41EM-475	E CAPACITOR	4.7MF 20% 25V	
C 209	QEK41EM-475	E CAPACITOR	4.7MF 20% 25V	
C 210	NCB21HK-682X	C.CAPA. C.M	6800PF 10% 50V	
C 211	NCB21HK-122X	C CAPACITOR	1200PF 10% 50V	
C 212	NCB21EK-683X	C CAPACITOR	.068MF 10% 25V	
C 213	NCB21HK-222X	C CAPACITOR	2200PF 10% 50V	
C 221	NCB21HJ-331X	C CAPACITOR	330PF 5% 50V	
C 301	QEKJ1AM-107Z	E CAPACITOR	100MF 20% 10V	
C 302	NCB21HK-393X	C CAPACITOR	.039MF 10% 50V	
C 303	QEK40JM-227	E CAPACITOR	220MF 20% 6.3V	
C 304	QEK41CM-226	E CAPACITOR	22MF 20% 16V	
C 305	QEK41CM-226	E CAPACITOR	22MF 20% 16V	
C 306	QEK41CM-476	E CAPACITOR	47MF 20% 16V	
C 307	NCB21HK-103X	C CAPACITOR	.010MF 10% 50V	
C 308	NCB21HK-562X	C CAPACITOR	5600PF 10% 50V	
C 309	NCB21HK-562X	C CAPACITOR	5600PF 10% 50V	
C 310	NCB21HK-223X	C CAPACITOR	.022MF 10% 50V	
C 311	NCB21HK-682X	C.CAPA. C.M	6800PF 10% 50V	
C 313	QEKJ1AM-107Z	E CAPACITOR	100MF 20% 10V	
C 314	QEZ0205-155Z	ML C CAP I/M	1.5MF	
C 315	QEZ0205-155Z	ML C CAP I/M	1.5MF	
C 316	QFG32AJ-103Z	PP CAPACITOR	.010MF 5% 100V	
C 318	NCB21HK-103X	C CAPACITOR	.010MF 10% 50V	
C 319	QFG32AJ-821Z	TF CAPACITOR	820PF 5% 100V	
C 321	NCB21HK-103X	C CAPACITOR	.010MF 10% 50V	
C 322	QFG32AJ-152Z	M CAPACITOR	1500PF 5% 100V	
C 331	QEK41CM-476	E CAPACITOR	47MF 20% 16V	
C 351	QEK41CM-106	E CAPACITOR	10MF 20% 16V	
C 371	QEK41EM-475	E CAPACITOR	4.7MF 20% 25V	
C 374	QEKJ1AM-107Z	E CAPACITOR	MOTOR +B	
C 375	QEKJ1AM-107Z	E CAPACITOR	100MF 20% 10V	
C 376	NCB21HK-103X	C CAPACITOR	.010MF 10% 50V	
CN 31	QGF1205F1-06	CONNECTOR	PRI/HEAD	
CN 32	QGB2011M1-10	PWB CONECTOR	PRI/MECHA	

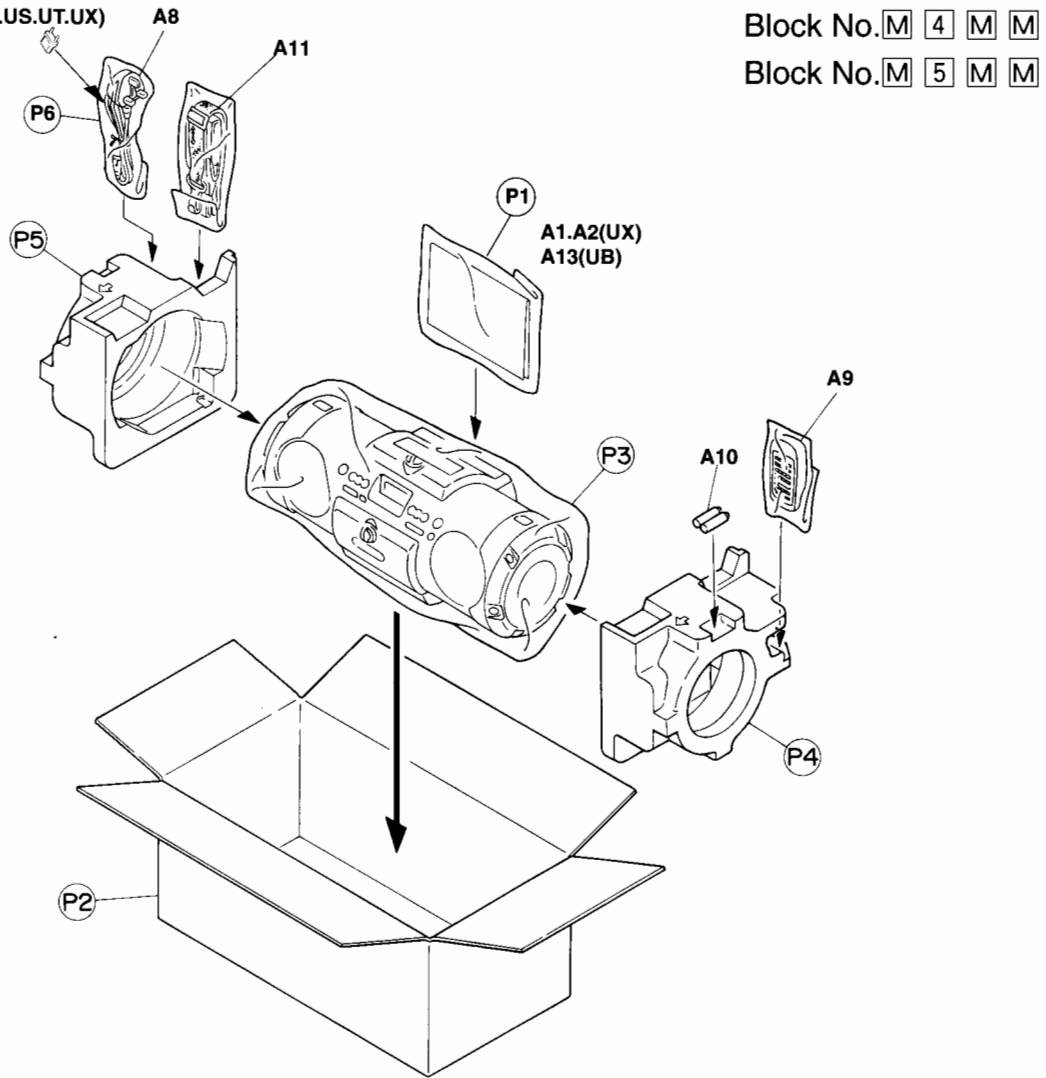
BLOCK NO. 05

BLOCK NO. 05

REF.	PARTS NO.	PARTS NAME	REMARKS	SUFFIX
CN 33	QGF1205F1-09	CONNECTOR	PRI/MICON	
CN 34	QGF1205F1-10	CONNECTOR	PRI/AMP	
D 301	MA152WA-X	DIODE		
D 309	MA704A-X	S-K DIODE		
D 375	MA3051/M-X	ZENER DIODE		
FW 31	QUM024-06A223	EF FLAT		
IC 31	BA3126N	IC	HEAD SW	
IC 32	AN7317	IC	PB&REC	
IC 33	BU4094BCF-X	IC		
L 301	QQR0620-001	OSC COIL(BIAS)		
L 303	QQL01BK-100Z	INDUCTOR		
Q 101	DTC114TKA-X	TRANSISTOR		
Q 102	DTC114TKA-X	TRANSISTOR	REC EQ CONT.	
Q 201	DTC114TKA-X	TRANSISTOR		
Q 202	DTC114TKA-X	TRANSISTOR	REC EQ CONT.	
Q 301	DTA144EKA-X	TRANSISTOR	REC EQ CONT.	
Q 302	2SC2001/K/-T	TR I/M		
Q 303	2SC2001/K/-T	TR I/M		
Q 304	2SC2001/LK/-T	TRANSISTOR		
Q 305	2SC2001/LK/-T	TRANSISTOR		
Q 306	2SC2412K/RS/-X	CHIP TR.C.M		
Q 307	2SC2412K/RS/-X	CHIP TR.C.M		
Q 308	2SC2412K/RS/-X	CHIP TR.C.M		
Q 309	2SC2412K/RS/-X	CHIP TR.C.M		
Q 321	DTA144EKA-X	TRANSISTOR		
Q 323	2SC2412K/RS/-X	CHIP TR.C.M		
Q 371	2SA952/LK/-T	TRANSISTOR	MOTER+B	
Q 372	DTC124EKA-X	TRANSISTOR		
Q 375	2SB562/C/-T	TRANSISTOR	SOLENOID DRIVE	
Q 376	2SC2412K/RS/-X	CHIP TR.C.M		
R 101	NRSA02J-220X	MG RESISTOR	22 5% 1/10W	
R 102	NRSA02J-182X	MG RESISTOR	1.8K 5% 1/10W	
R 103	NRSA02J-242NY	MG RESISTOR	2.4K 5% 1/10W	
R 104	NRSA02J-122X	MG RESISTOR	1.2K 5% 1/10W	
R 105	NRSA02J-104X	MG RESISTOR	100K 5% 1/10W	
R 106	NRSA02J-332X	MG RESISTOR	3.3K 5% 1/10W	
R 108	NRSA02J-562X	MG RESISTOR	5.6K 5% 1/10W	
R 109	NRSA02J-122X	MG RESISTOR	1.2K 5% 1/10W	
R 110	NRSA02J-472X	RES. C.M	4.7K 5% 1/10W	
R 111	NRSA02J-333X	MG RESISTOR	33K 5% 1/10W	
R 112	NRSA02J-222X	MG RESISTOR	2.2K 5% 1/10W	
R 113	NRSA02J-472X	RES. C.M	4.7K 5% 1/10W	
R 114	NRSA02J-272X	MG RESISTOR	2.7K 5% 1/10W	
R 116	NRSA02J-102X	RES. C.M	1.0K 5% 1/10W	
R 201	NRSA02J-220X	MG RESISTOR	22 5% 1/10W	
R 202	NRSA02J-182X	MG RESISTOR	1.8K 5% 1/10W	
R 203	NRSA02J-242NY	MG RESISTOR	2.4K 5% 1/10W	
R 204	NRSA02J-122X	MG RESISTOR	1.2K 5% 1/10W	
R 205	NRSA02J-104X	MG RESISTOR	100K 5% 1/10W	
R 206	NRSA02J-332X	MG RESISTOR	3.3K 5% 1/10W	
R 207	NRSA02J-123X	RES. C.M	12K 5% 1/10W	
R 208	NRSA02J-562X	MG RESISTOR	5.6K 5% 1/10W	
R 209	NRSA02J-122X	MG RESISTOR	1.2K 5% 1/10W	

REF.	PARTS NO.	PARTS NAME	REMARKS	SUFFIX
R 210	NRSA02J-472X	RES. C.M	4.7K 5% 1/10W	
R 211	NRSA02J-333X	MG RESISTOR	33K 5% 1/10W	
R 212	NRSA02J-222X	MG RESISTOR	2.2K 5% 1/10W	
R 213	NRSA02J-472X	RES. C.M	4.7K 5% 1/10W	
R 214	NRSA02J-272X	MG RESISTOR	2.7K 5% 1/10W	
R 216	NRSA02J-102X	RES. C.M	1.0K 5% 1/10W	
R 221	NRSA02J-102X	RES. C.M	1.0K 5% 1/10W	
R 301	NRS181J-221X	MG RESISTOR	220 5% 1/8W	
R 303	NRSA02J-393X	MG RESISTOR	39K 5% 1/10W	
R 304	NRS181J-101X	MG RESISTOR	100 5% 1/8W	
R 305	NRSA02J-222X	MG RESISTOR	2.2K 5% 1/10W	
R 306	NRSA02J-222X	MG RESISTOR	2.2K 5% 1/10W	
R 310	NRS181J-560X	MG RESISTOR	56 5% 1/8W	
R 311	NRS181J-560X	MG RESISTOR	56 5% 1/8W	
R 313	NRSA02J-3R3NY	RES. C.M	3.3 5% 1/10W	
R 314	NRSA02J-223X	RES. C.M	22K 5% 1/10W	
R 315	NRSA02J-100X	MG RESISTOR	10 5% 1/10W	
R 316	NRSA02J-223X	RES. C.M	22K 5% 1/10W	
R 317	NRSA02J-100X	MG RESISTOR	10 5% 1/10W	
R 319	NRSA02J-152X	MG RESISTOR	1.5K 5% 1/10W	
R 322	NRSA02J-152X	MG RESISTOR	1.5K 5% 1/10W	
R 327	NRSA02J-474X	MG RESISTOR	470K 5% 1/10W	
R 332	NRSA02J-123X	RES. C.M	12K 5% 1/10W	
R 333	NRSA02J-123X	RES. C.M	12K 5% 1/10W	
R 335	NRSA02J-152X	MG RESISTOR	1.5K 5% 1/10W	
R 336	NRSA02J-472X	RES. C.M	4.7K 5% 1/10W	
R 337	NRSA02J-332X	MG RESISTOR	3.3K 5% 1/10W	
R 338	NRSA02J-392X	MG RESISTOR	3.9K 5% 1/10W	
R 339	NRSA02J-222X	MG RESISTOR	2.2K 5% 1/10W	
R 340	NRS181J-391X	MG RESISTOR	390 5% 1/8W	
R 341	NRSA02J-123X	RES. C.M	12K 5% 1/10W	
R 342	NRSA02J-203X	MG RESISTOR	20K 5% 1/10W	
R 343	NRSA02J-183X	MG RESISTOR	18K 5% 1/10W	
R 351	NRSA02J-683X	MG RESISTOR	68K 5% 1/10W	
R 352	NRSA02J-912X	RES. C.M	9.1K 5% 1/10W	
R 371	NRSA02J-123X	RES. C.M	12K 5% 1/10W	
R 372	NRSA02J-102X	RES. C.M	1.0K 5% 1/10W	
R 375	NRSA02J-151X	MG RESISTOR	150 5% 1/10W	
R 376	NRSA02J-472X	RES. C.M	4.7K 5% 1/10W	
VR 31	QVPO008-503Z	SEMI V RESISTOR	BIAS ADJ	
VR 32	QVPO008-503Z	SEMI V RESISTOR	BIAS ADJ	
VR 37	QVPO008-103Z	SEMI V RESISTOR	TAPE SPEED ADJ	

# Packing materials and accessories parts list



Block No. **M** **4** **M** **M**

Block No. **M** **5** **M** **M**

## ■ Packing parts list

BLOCK NO. **M4MM** **□** **□**

Δ	REF.	PARTS NO.	PARTS NAME	REMARKS	QTY	SUFFIX	CLR
P	1	QPA02503503P	POLY BAG	FOR INST	1		
P	2	LV30853-006A	CARTON		1		BU
		LV30853-009A	CARTON		1		LT
		LV30853-003A	CARTON		1		GY
P	3	QPC09006015P	POLY BAG		1		
P	4	LV10169-002A	BOTTOM(L)		1		
P	5	LV10169-003A	BOTTOM(R)	1			
P	6	QPA01503503	POLY BAG	1	UB		
		QPA01202505	POLY BAG	1			
				WITH OUT UB	1		

## ■ Accessories parts list

BLOCK NO. **M5MM** **□** **□**

Δ	REF.	PARTS NO.	PARTS NAME	REMARKS	QTY	SUFFIX	CLR
A	1	LVT0209-009A	INST BOOK	ENG SPA CHI	1	UB,UY,UX	
		LVT0209-009A	INST BOOK	ENG SPA CHI	1	U,US,UT	
A	2	LVT0209-010A	INST BOOK	ARA	1	UX	
Δ	A	8	QMP7350-150E	POWER CORD	1	UT,UX	
Δ		QMP5050-183-JC	POWER CORD		1	UY	
Δ		QMP39F0-183E	POWER CORD		1	U,US	
Δ		QMPP060-183-JD	POWER CORD		1	UB	
A	9	RM-RXVB55E	REMO-CON UNIT		1		
A	10	-----	BATTERY		2		
A	11	LV30852-005A	SHULDER BELT		1		BU
		LV30852-007A	SHULDER BELT		1		LT
		LV30852-003A	SHULDER BELT		1		GY
A	12	QAM0112-001	AC PLUG ADAPTER		1	U,US	
Δ		QAM0027-001	AC PLUG ADAPTER		1	UT,UX	
A	13	LV30258-047A	UB SHEET		1	UB	GY
		LV30258-048A	UB SHEET		1	UB	BU
		LV30258-049A	UB SHEET		1	UB	LT

# PARTS LIST

[ RV-B55GY ]  
 [ RV-B55BU ]  
 [ RV-B55LTD ]

\* All printed circuit boards and its assemblies are not available as service parts.

Areas suffix  
 [ RV-B55GY ]

B ----- U.K.  
 E ----- Continental Europe  
 EN ----- Northern Europe  
 EV ----- Eastern Europe  
 EE ----- Russian Federation

Areas suffix  
 [ RV-B55BU ]

B ----- U.K.  
 E ----- Continental Europe  
 EN ----- Northern Europe

Areas suffix  
 [ RV-B55LTD ]

B ----- U.K.  
 E ----- Continental Europe  
 EN ----- Northern Europe

Color cord table

GY...Gray  
 BU...Blue  
 LT...Transparent green

## - Contents -

Exploded view of general assembly and parts list .....	5-2
CD mechanism assembly and parts list .....	Refer to 4-7
Cassette mechanism assembly and parts list .....	Refer to 4-8.9
Electrical parts list .....	5-8
Packing materials and accessories parts list .....	5-18



### Parts list (General assembly)

BLOCK NO. M1111

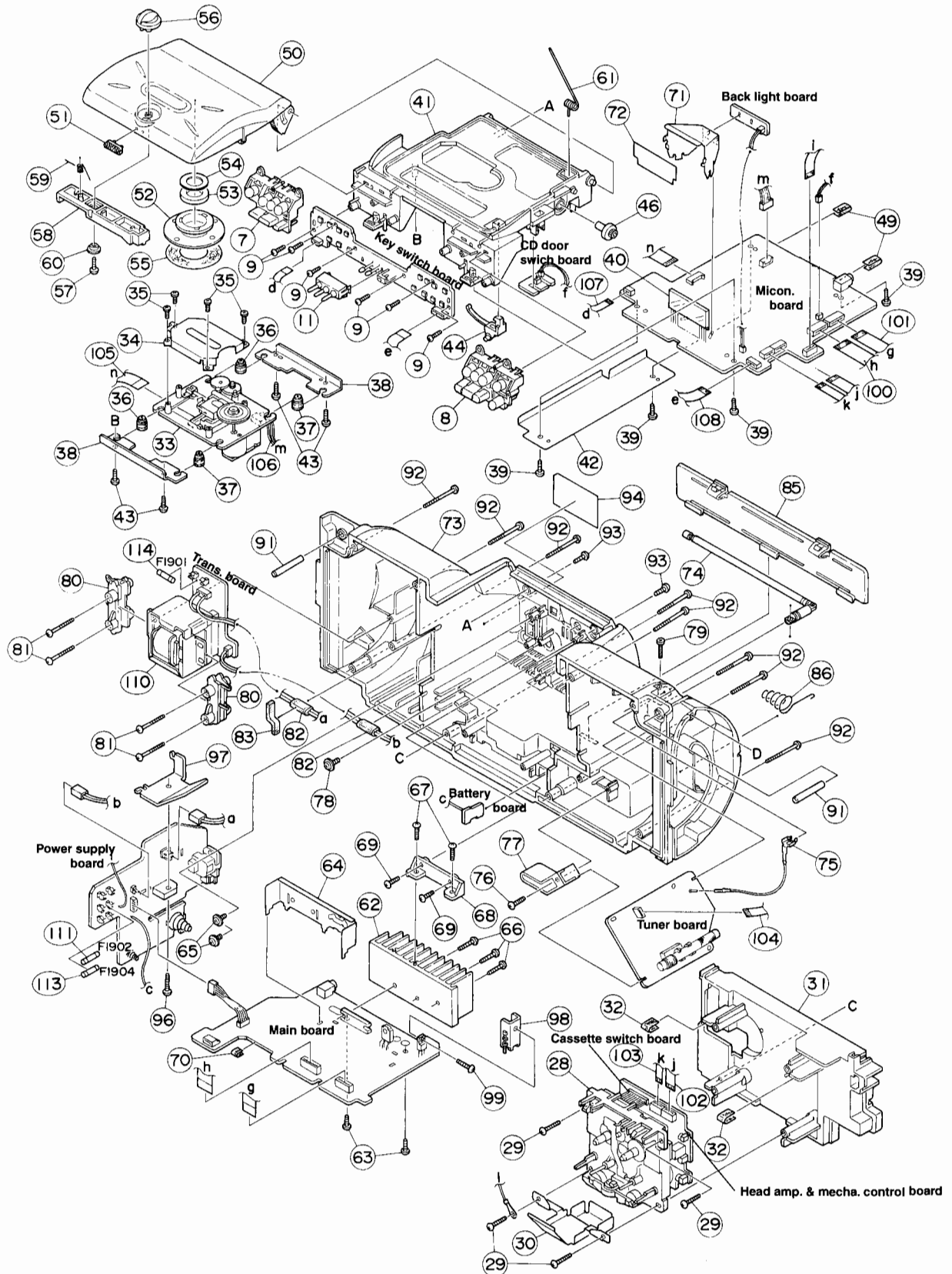
Δ	REF.	PARTS NO.	PARTS NAME	REMARKS	QTY	SUFFIX	CLR
	1	LV10160-009A	FRONT CABI ASSY		1		LT
		LV10160-006A	FRONT CABI ASSY		1		BU
		LV10160-003A	FRONT CABI ASSY		1		GY
	4	LE10010-010A	SPEAKER	L/R	2		
	5	QYSBSF3010Z	SCREW	FOR SPK.	8		
	6	VJK4520-051	LCD LENS		1		BU
		VJK4520-061	LCD LENS		1		LT
		VJK4520-001	LCD LENS		1		GY
	10	LV40715-002A	LENS	AS PAD X 1	1		
	12	LV40750-001A	PACKING SHEET L	PEFU(FRONT CABI	1		
	13	LV40751-001A	PACKING SHEET R	PEFU(FRONT CABI	1		
	14	QYSBSFG3010Z	TAP SCREW	SPK.CON+FRONT	1		
	15	LV20298-001A	CASSETTE HOLDER		1		GY
		LV20298-003A	CASSETTE HOLDER		1		LT
		LV20298-002A	CASSETTE HOLDER		1		BU
	16	VKZ4794-002	SPECIAL SCREW	EJECT SAFTY	3		
	17	LV20299-001A	DOOR COVER		1		GY
		LV20299-002A	DOOR COVER		1		BU
		LV20299-003A	DOOR COVER		1		LT
	18	LV30844-001A	EJECT SAFTY	CASS HOLDER	1		
	19	LV40717-002A	DOOR LENS		1		BU
		LV40717-003A	DOOR LENS		1		LT
		LV40717-001A	DOOR LENS		1		GY
	20	VKY4180-001	CASSETTE SPRING	SUS	2		
	21	VYH5601-001	GEAR	POM	1		
	22	LV40718-001A	EJECT KNOB	ABS	1		
	23	LV40719-001A	CAM(CASS)	POM	1		
	24	LV40749-001A	TENSION SPRING	CAM + DOOR COVE	1		
	25	QYSBSF2610Z	SCREW	E.KNOB + CAM	1		
	26	LV40721-001A	DOOR SPRING	SUS T1.0	1		
	27	LV40720-002A	COLLAR (CASS)	SLIDER + D.COVE	1		
	88	LV10165-001A	SIDE PROT.ASY L		1		GY
		LV10165-003A	SIDE PROT.ASY L		1		LT
		LV10165-002A	SIDE PROT.ASY L		1		BU
	89	LV10166-003A	SIDE PROT.ASY R		1		LT
		LV10166-002A	SIDE PROT.ASY R		1		BU
		LV10166-001A	SIDE PROT.ASY R		1		GY
	90	QYSBSF3012N	SCREW	FOR SIDE PROTEC	12		
	95	WJJ0034-008A	E-SI C WIRE C-C		1		



# Exploded view of general assembly and parts list

Block No. M 1 M M

## REAR CABINET



## ■ Parts list (General assembly)

BLOCK NO. **M1111**

△ REF.	PARTS NO.	PARTS NAME	REMARKS	QTY	SUFFIX	CLR
7	LV20331-001A	POWER BUTTON	PAINT X1,PAD X1	1		
8	LV20332-001A	VOLUME BUTTON	PAINT X1,PAD X1	1		
9	QYSBSF2610Z	SCREW	BUTTON + SW PWB	6		
11	LV40716-002A	LED HOLDER	ABS	1		
28	SLC-S1YPM	SLC MECHA ASS'Y		1		
29	QYSBSF3014Z	SCREW	FOR SLC	4		
30	LV30845-001A	HEAD SHIELD	SPT T 0.4	1		
31	LV10192-001A	CASS CHASSIS	MIPS	1		
32	VYSA1R6-080	SPACER		2		
33	-----	CD MECHA UNIT		1		
34	VJD5410-204	PICK COVER		1		
35	QYSDSF2006M	SCREW		4		
36	FMYH4003-003	INSULATOR		2		
37	FMYH4003-004	INSULATOR		2		
38	LV40723-001A	CD MECHA HOLDER	EGC T1.0	2		
39	QYSBSF3010Z	SCREW	FOR HOLDER	4		
40	QLD0024-002	LCD	DI901	1		
41	LV10162-006A	CD CASE		1		LT
	LV10162-002A	CD CASE		1		GY
	LV10162-004A	CD CASE		1		BU
42	LV31305-001A	SHIELD		1		
43	QYSBSF3010Z	SCREW	FOR MICON PWB	4		
44	LV40726-001A	LOCK LEVER	POM	1		
46	VYH4769-002SS	GEAR	FOR CD CASE	1		
49	VYSA1R6-080	SPACER		2		
50	LV10163-004A	CD DOOR		1		BU
	LV10163-002A	CD DOOR		1		GY
	LV10163-006A	CD DOOR		1		LT
51	PQ45130-7	JVC MARK	FOR CD DOOR	1		
52	VYH3644-201	CLAMPER	FOR OPTIMA-6	1		
53	VYH7313-003	MAGNET		1		
54	VYH7314-001	YOKE		1		
55	VYH7315-005	PAD		1		
56	LV40718-001A	EJECT KNOB	ABS	1		
57	QYSBSF2610Z	SCREW	E.KNOB + SLIDER	1		
58	LV30846-001A	SLIDER (CD)	POM	1		
59	LV40725-001A	TORSION SPRING	FOR SLIDER	1		
60	LV40728-002A	COLLAR (CD)		1		
61	LV40729-001A	CD DOOR SPRING	SUS	1		
62	LV30847-001A	HEAT SINK(A)	AL T2.0	1		
63	QYSBSF3012Z	SCREW	HEAT SINK(A)+PW	2		
64	LV30848-001A	HEAT SINK(B)		1		
65	E65923-003	TAPPING SCREW	FOR AC	2		
66	QYSBSF3012Z	SCREW	FOR POWER IC	3		
67	QYSBSF3012Z	SCREW	H.SINK(A)+BKT.	2		
68	LV40730-001A	HEAT SINK BKT	FOR HEAT SINK	1		
69	QYSBSF3010Z	SCREW	REAR + H.BKT.	2		
70	VYSA1R6-080	SPACER		1		
71	LV30849-001A	LCD HOLDER	SPT T 0.4	1		
72	VYH8193-002	SHEET	LCD + LCD HOLDE	1		
73	LV10164-002A	REAR CABINET		1		GY
	LV10164-006A	REAR CABINET		1		BU
	LV10164-010A	REAR CABINET		1		LT
74	FMJA3001-00A(D)	ROD ANT ASS'Y		1		

BLOCK NO. 01000100

REF.	PARTS NO.	PARTS NAME	REMARKS	QTY	SUFFIX	CLR
75	VYH5012-006	3ERMINAL LUG	SPT E TO.4	1		
76	QYSBSF3012Z	SCREW	TUNER HOLDER+RE	1		
77	LV41032-001A	TUNER HOLDER		1		
78	E65923-003	TAPPING SCREW	FOR H.PHONES	1		
79	QYSDSP3012N	SCREW	FOR ROD ANT	1		
80	VYH8101-001	TRANS SUPPORT	POM	2		
81	QYSBSF3030Z	SCREW	FOR TRANS	4		
82	LV30225-021A	SPACER	TRANS WIRE	2		
83	VYSH102-090	SPACER		1		
85	VJC2016-321	BATTERY COVER		1		LT
	VJC2016-311	BATTERY COVER		1		BU
	VJC2016-301	BATTERY COVER		1		GY
86	VYH5657-001	BATTERY SPRING		1		
91	VKH3012-073	SHAFT(E)	REAR(S.BELT)	2		
92	QYSBSF3040Z	SCREW	FRONT+REAR	8		
93	QYSBSF3010Z	3CREW	CD CASE + REAR	2		
94	LV30851-003A	NAME PLATE		1	E,EN,EV,B	GY
	LV31005-003A	NAME PLATE		1	E,EN,B	LT
	LV31004-003A	NAME PLATE		1	E,EN,B	BU
	LV30851-009A	NAME PLATE		1	EE	GY
96	QYSBSF3014Z	SCREW	HEAT SINK(C)	1		
97	LV41029-001A	HEAT SINK(C)		1		
98	E70306-001	HEAT SINK		1		
99	QYSBSF3010Z	SCREW		1		
100	QUQ412-1415CJ	CARD WIRE	MICON PWB-AMP P	1		
101	QUQ412-1313CJ	CARD WIRE	MICON PWB-AMP P	1		
102	QUQ412-1012DJ	CARD WIRE	C.MECHA-MICON P	1		
103	QUQ412-0914DJ	CARD WIRE	C.MECHA-MICON P	1		
104	QUQ412-0912CJ	FFC WIRE	TUNER PWB-MICON	1		
105	QUQ110-1508AJ	CARD WIRE	CD MECHA-CD AMP	1		
106	QJJ010-060606	SIN CR C-C WIRE		1		
107	QUQC12-0606CJ	CARD WIRE	SW PWB-MICON PW	1		
108	QUQC12-1006CJ	CARD WIRE	SW PWB-MICON PW	1		
110	QQT0247-003	POWER TRANS	T1901	1		
111	QMF51E2-5R0-J1	FUSE	F1902	1		
113	QMF51E2-6R3-J1	FUSE	F1904	1		
114	QMF51E2-R315-J1	FUSE	F1901	1		

System control board

BLOCK NO. 01111111

REF.	PARTS NO.	PARTS NAME	REMARKS	SUFFIX
C 604	GEK1AM-107Z	E CAPACITOR	100MF 20% 10V	
C 605	GETN1HM-106Z	E CAPACITOR	10MF 20% 50V	
C 606	NCS21HJ-102X	C CAPACITOR		
C 607	NCS21HJ-102X	C CAPACITOR		
C 608	GET41HM-105	E CAPACITOR	1.0MF 20% 50V	
C 609	NCS21HJ-101X	C CAPACITOR		
C 610	QFLM1HJ-273Z	M CAPACITOR	.027MF 5% 50V	
C 611	NCS21HJ-222X	C CAPACITOR		
C 612	NCS21HK-103X	C CAPACITOR		
C 613	NCS21HJ-331X	C CAPACITOR		
C 614	QFV41HJ-104	TF CAPACITOR	.10MF 5% 50V	
C 615	NCS21HK-223X	C CAPACITOR		
C 616	NCS21HK-223X	C CAPACITOR		
C 617	NCS21HK-223X	C CAPACITOR		
C 618	NCS21HJ-222X	C CAPACITOR		
C 619	NCS21HJ-271X	C CAPACITOR		
C 620	NCS21HJ-470X	C CAPACITOR		
C 621	NCS21HJ-821X	C CAPACITOR		
C 622	QET41EM-476	E CAPACITOR	4.7MF 20% 25V	
C 623	QFV41HJ-104	TF CAPACITOR	.10MF 5% 50V	
C 628	QDX31EM-473Z	C CAPACITOR		
C 629	QET41AM-107	E CAPACITOR	100MF 20% 10V	
C 631	QET41AM-477	E CAPACITOR	4.70MF 20% 10V	
C 632	QEXC1AM-107Z	E CAPACITOR	100MF 20% 10V	
C 651	NCS21HJ-120X	C CAPACITOR		
C 652	NCS21HJ-150X	C CAPACITOR		
C 653	NCS21HK-223X	C CAPACITOR		
C 655	QDX31EM-473Z	C CAPACITOR		
C 661	NCS21HJ-471X	C CAPACITOR		
C 662	NCS21HK-223X	C CAPACITOR		
C 663	QFLM1HJ-223Z	M CAPACITOR	.022MF 5% 50V	
C 664	NCS21HK-223X	C CAPACITOR		
C 665	QFV41HJ-104	TF CAPACITOR	.10MF 5% 50V	
C 671	NCS21HJ-222X	C CAPACITOR		
C 672	NCS21HJ-222X	C CAPACITOR		
C 673	QTE1A2B-227Z	E CAPACITOR		
C 674	NCS21HK-223X	C CAPACITOR		
C 675	NCS21HJ-102X	C CAPACITOR		
C 691	NCS21HJ-151X	C CAPACITOR		
C 692	NCS21HJ-151X	C CAPACITOR		
C 693	NCS21HJ-151X	C CAPACITOR		
C 694	NCS21HJ-151X	C CAPACITOR		
C 698	NCS21HJ-102X	C CAPACITOR		
CN251	QGF1205C1-10	CONNECTOR		
CN252	QGF1205C1-06	CONNECTOR		
CN403	QGF1205C1-09	CONNECTOR		
CN405	QGF1205F1-10	CONNECTOR		
CN406	QGF1205F1-09	CONNECTOR		
CN407	QGF1205F1-13	CONNECTOR		
CN408	QGF1205F1-14	CONNECTOR		
CN601	QGF1008F1-15	21-41 CONNECTOR	TO RF	
CN602	QGA2001C1-06	6P PLUG ASSY		
CN901	QGF1205F1-10	CONNECTOR		
CN902	QGF1205F1-06	CONNECTOR		
CN907	QGA2501C1-02	2P CONNECTOR		

BLOCK NO. 01111111

REF.	PARTS NO.	PARTS NAME	REMARKS	SUFFIX
C2501	QER61AM-226Z	E CAPACITOR	22MF 20% 10V	
C2502	QER41CM-476	E CAPACITOR	47MF 20% 16V	
C3361	QER41AM-107	E CAPACITOR	100MF 20% 10V	
C3362	QER41EM-475	E CAPACITOR	4.7MF 20% 25V	
C3571	QER41CM-476	E CAPACITOR	47MF 20% 16V	
C4142	NCS21HJ-100X	C CAPACITOR		
C4143	QER41EM-475	E CAPACITOR	4.7MF 20% 25V	
C4144	QER41EM-475	E CAPACITOR	4.7MF 20% 25V	
C4145	QTE1V06-106Z	E CAPACITOR		
C4151	NCS21HJ-681X	C CAPACITOR		
C4242	NCS21HJ-100X	C CAPACITOR		
C4243	QER41EM-475	E CAPACITOR	4.7MF 20% 25V	
C4244	QER41EM-475	E CAPACITOR	4.7MF 20% 25V	
C4245	QTE1V06-106Z	E CAPACITOR		
C4251	NCS21HJ-681X	C CAPACITOR		
C4341	QER41CM-476	E CAPACITOR	47MF 20% 16V	
C4342	QER61CM-107Z	E CAPACITOR	100MF 20% 16V	
C4343	NCS21HJ-151X	C CAPACITOR		
C4344	QER41EM-475	E CAPACITOR	4.7MF 20% 25V	
C9001	NCS21HJ-240X	C CAPACITOR		
C9002	NCS21HJ-220X	C CAPACITOR		
C9003	NCS21HJ-151X	C CAPACITOR		
C9004	NCS21HJ-471X	C CAPACITOR		
C9005	NCS21HJ-240X	C CAPACITOR		
C9006	NCS21HJ-240X	C CAPACITOR		
C9007	NCS21HJ-360X	C CAPACITOR		
C9008	NCS21HJ-360X	C CAPACITOR		
C9009	NCS21HK-103X	C CAPACITOR		
C9011	NCS21HK-103X	C CAPACITOR		
C9012	QER61HM-226Z	E CAPACITOR	22MF 20% 50V	
C9013	NCS21HJ-151X	C CAPACITOR		
C9015	NCS21HJ-151X	C CAPACITOR		
C9016	NCS21HJ-151X	C CAPACITOR		
C9017	NCS21HJ-151X	C CAPACITOR		
C9018	QER41AM-107	E CAPACITOR	100MF 20% 10V	
C9019	QER61HM-106Z	E CAPACITOR	10MF 20% 50V	
C9020	QER61HM-106Z	E CAPACITOR	10MF 20% 50V	
C9021	QER61HM-106Z	E CAPACITOR	10MF 20% 50V	
C9022	NCS21HK-103X	C CAPACITOR		
C9023	NCS21HJ-151X	C CAPACITOR		
C9024	NCS21HJ-101X	C CAPACITOR		
C9025	NCS21HJ-151X	C CAPACITOR		
C9026	NCS21HJ-151X	C CAPACITOR		
C9027	NCS21HJ-680X	C CAPACITOR		
C9031	NCS21HK-103X	C CAPACITOR		
C9034	NCS21HJ-151X	C CAPACITOR		
C9035	NCS21HJ-151X	C CAPACITOR		
C9036	NCS21HJ-151X	C CAPACITOR		
C9037	NCS21HJ-151X	C CAPACITOR		
C9038	NCS21HJ-151X	C CAPACITOR		
C9039	NCS21HK-103X	C CAPACITOR		
C9040	NCS21HJ-102X	C CAPACITOR		
D 661	1SS133-T2	DIODE		
D2502	SLR-342VR-T15	LED I M	STAND-BY LED	
D2504	SLR-342MG-T15	LED I M	ACS IND (GR)	

BLOCK NO. 04111111

REF.	PARTS NO.	PARTS NAME	REMARKS	SUFFIX
D2505	1S5133-T2	DIODE		
D2506	SLR-342VR-T15	LED I M	AHB ON/OFF (R)	
D2507	1S5133-T2	DIODE		
D3361	1S5133-T2	DIODE		
D3362	MTZJ3.9B-T2	Z DIODE		
D3363	1S5133-T2	DIODE		
D4301	1S5133-T2	DIODE		
D4302	1S5133-T2	DIODE		
D9001	1S5133-T2	DIODE		
D9002	MTZJ5.1C-T2	ZENER DIODE		
D9006	MA700A-T2	S.B. DIODE		
FW256	QJK005-021002	SIN CL C-B WIRE		
FW401	QJL007-021002	SIN CR B-B WIRE		
IC401	VYH7237-002	IC HOLDER	FOR MICON	
IC401	BA15218F-XE	IC	ADDER	
IC601	ANB806SB-W	IC C.M	RF AMP	
IC603	MN35510	IC	1CHIP PROCESSER	
IC901	MN171603BJ	IC	SYSTEM MICON	
IC902	IC-PST9131-T	IC		
IC903	GP1U281X	IR DETECT UNIT		
J4301	QNS0047-001	JACK	AUX	
K 699	QGR0779-001Z	INDUCTOR		
K9001	QGR0779-001Z	INDUCTOR		
L4351	QGR0779-001Z	INDUCTOR		
L4352	QGR0779-001Z	INDUCTOR		
L4353	QGL01BK-100Z	INDUCTOR		
L4354	QGR0779-001Z	INDUCTOR		
L4355	QGL01BK-100Z	INDUCTOR		
L4356	QGR0779-001Z	INDUCTOR		
L9001	QGL01BK-100Z	INDUCTOR		
L9002	QGL01BK-100Z	INDUCTOR		
PL 1	GLL0051-002	LAMP		
Q 601	2SA952/LK/-T	TRANSISTOR		
Q 631	2SA952/LK/-T	TRANSISTOR		
Q2501	DTA124XKA-X	CHIP D. TR. C.M		
Q2504	UN2210-X	TRANSISTOR		
Q2505	2SC2412K/RS/-X	CHIP TR. C.M		
Q2506	DTC124TKA-X	TRANSISTOR		
Q3361	2SA1037AK/RS/-X	CHIP TR. C.M	TUNER SW	
Q3362	2SD601A/R/-X	TRANSISTOR		
Q3571	2SB62474/-X	TRANSISTOR		
Q3572	2SD601A/R/-X	TRANSISTOR		
Q4101	2SD2144S/VH/-T	TRANSISTOR I/M		
Q4102	2SD59674/-X	TRANSISTOR		
Q4201	2SD2144S/VH/-T	TRANSISTOR I/M		
Q4202	2SD59674/-X	TRANSISTOR		
Q4301	2SD601A/R/-X	TRANSISTOR		
Q9001	2SC2714/O/-X	TRANSISTOR	MAIN CLOCK	
Q9002	2SC2714/O/-X	TRANSISTOR	MAIN CLOCK	
Q9003	2SD601A/R/-X	TRANSISTOR		
Q9006	2SA1037AK/RS/-X	CHIP TR. C.M		
Q9011	UN2210-X	TRANSISTOR		
Q9013	UN2210-X	TRANSISTOR		
R 601	NRSA02J-123X	MG RESISTOR		

BLOCK NO. 04111111

REF.	PARTS NO.	PARTS NAME	REMARKS	SUFFIX
R 603	NRSA02J-125X	MG RESISTOR		
R 605	NRSA02J-134X	MG RESISTOR		
R 606	NRSA02J-913X	MG RESISTOR		
R 607	NRSA02J-273X	MG RESISTOR		
R 609	NRSA02J-114X	MG RESISTOR		
R 610	NRSA02J-154X	MG RESISTOR		
R 612	NRSA02J-103X	MG RESISTOR		
R 613	NRSA02J-121X	MG RESISTOR		
R 614	NRSA02J-100X	MG RESISTOR		
R 615	NRSA02J-120X	MG RESISTOR		
R 616	NRSA02J-910X	MG RESISTOR		
R 621	NRSA02J-330X	MG RESISTOR		
R 622	NRSA02J-330X	MG RESISTOR		
R 623	NRSA02J-330X	MG RESISTOR		
R 631	NRSA02J-331X	MG RESISTOR		
R 632	NRSA02J-101X	MG RESISTOR		
R 633	NRSA02J-273X	MG RESISTOR		
R 641	NRSA02J-563X	MG RESISTOR		
R 642	NRSA02J-123X	MG RESISTOR		
R 643	NRSA02J-822X	MG RESISTOR		
R 644	NRSA02J-223X	MG RESISTOR		
R 645	NRSA02J-223X	MG RESISTOR		
R 646	NRSA02J-182X	MG RESISTOR		
R 647	NRSA02J-562X	MG RESISTOR		
R 651	NRSA02J-102X	MG RESISTOR		
R 652	NRSA02J-102X	MG RESISTOR		
R 653	NRSA02J-102X	MG RESISTOR		
R 654	NRSA02J-102X	MG RESISTOR		
R 655	NRSA02J-471X	MG RESISTOR		
R 659	NRSA02J-471X	MG RESISTOR		
R 661	NRSA02J-104X	MG RESISTOR		
R 662	NRSA02J-155X	MG RESISTOR		
R 663	NRSA02J-124X	MG RESISTOR		
R 664	NRSA02J-471X	MG RESISTOR		
R 666	NRSA02J-220X	MG RESISTOR		
R 671	NRSA02J-103X	MG RESISTOR		
R 672	NRSA02J-103X	MG RESISTOR		
R2501	NRS181J-271X	MG RESISTOR		
R2504	NRSA02J-101X	MG RESISTOR		
R2505	NRSA02J-101X	MG RESISTOR		
R2506	NRSA02J-121X	MG RESISTOR		
R2507	NRSA02J-151X	MG RESISTOR		
R2508	NRSA02J-221X	MG RESISTOR		
R2509	NRSA02J-271X	MG RESISTOR		
R2510	NRSA02J-391X	MG RESISTOR		
R2511	NRSA02J-561X	MG RESISTOR		
R2512	NRSA02J-102X	MG RESISTOR		
R2513	NRSA02J-182X	MG RESISTOR		
R2514	NRSA02J-391X	MG RESISTOR		
R2515	NRSA02J-473X	MG RESISTOR		
R2516	NRS181J-473X	MG RESISTOR		
R2518	NRSA02J-223X	MG RESISTOR		
R2520	NRSA02J-391X	MG RESISTOR		
R2521	NRSA02J-102X	MG RESISTOR		
R2522	NRSA02J-102X	MG RESISTOR		

BLOCK NO. 01111111

A	REF.	PARTS NO.	PARTS NAME	REMARKS	SUFFIX
	R2323	NRSA02J-332X	MG RESISTOR		
	R3361	NRSA02J-390X	MG RESISTOR		
	R3362	NRSA02J-102X	MG RESISTOR		
	R3363	NRSA02J-472X	MG RESISTOR		
	R3571	NRSA02J-472X	MG RESISTOR		
	R3572	NRSA02J-472X	MG RESISTOR		
	R3573	NRSA02J-472X	MG RESISTOR		
	R4141	NRSA02J-683X	MG RESISTOR		
	R4142	NRSA02J-273X	MG RESISTOR		
	R4143	NRSA02J-224X	MG RESISTOR		
	R4144	NRSA02J-203X	MG RESISTOR		
	R4145	NRSA02J-124X	MG RESISTOR		
	R4149	NRSA02J-102X	MG RESISTOR		
	R4150	NRSA02J-102X	MG RESISTOR		
	R4151	NRSA02J-823X	MG RESISTOR		
	R4153	NRSA02J-103X	MG RESISTOR		
	R4155	NRSA02J-183X	MG RESISTOR		
	R4158	NRSA02J-203X	MG RESISTOR		
	R4159	NRSA02J-821X	MG RESISTOR		
	R4160	NRSA02J-102X	MG RESISTOR		
	R4161	NRSA02J-273X	MG RESISTOR		
	R4241	NRSA02J-683X	MG RESISTOR		
	R4242	NRSA02J-273X	MG RESISTOR		
	R4243	NRSA02J-224X	MG RESISTOR		
	R4244	NRSA02J-203X	MG RESISTOR		
	R4245	NRSA02J-124X	MG RESISTOR		
	R4249	NRSA02J-102X	MG RESISTOR		
	R4250	NRSA02J-102X	MG RESISTOR		
	R4251	NRSA02J-823X	MG RESISTOR		
	R4253	NRSA02J-103X	MG RESISTOR		
	R4255	NRSA02J-183X	MG RESISTOR		
	R4258	NRSA02J-203X	MG RESISTOR		
	R4259	NRSA02J-821X	MG RESISTOR		
	R4260	NRSA02J-102X	MG RESISTOR		
	R4261	NRSA02J-273X	MG RESISTOR		
	R4301	NRSA02J-222X	MG RESISTOR		
	R4341	NRSA02J-103X	MG RESISTOR		
	R4342	NRSA02J-103X	MG RESISTOR		
	R4343	NRSA02J-101X	MG RESISTOR		
	R9001	NRSA02J-681X	MG RESISTOR		
	R9002	NRSA02J-681X	MG RESISTOR		
	R9003	NRSA02J-222X	MG RESISTOR		
	R9004	NRSA02J-222X	MG RESISTOR		
	R9005	NRSA02J-153X	MG RESISTOR		
	R9006	NRSA02J-472X	MG RESISTOR		
	R9007	NRSA02J-222X	MG RESISTOR		
	R9009	NRSA02J-102X	MG RESISTOR		
	R9010	NRSA02J-103X	MG RESISTOR		
	R9011	NRSA02J-222X	MG RESISTOR		
	R9012	NRSA02J-222X	MG RESISTOR		
	R9013	NRSA02J-222X	MG RESISTOR		
	R9014	NRSA02J-102X	MG RESISTOR		
	R9015	NRSA02J-104X	MG RESISTOR		
	R9016	NRSA02J-224X	MG RESISTOR		
	R9017	NRSA02J-822X	MG RESISTOR		

BLOCK NO. 01111111

A	REF.	PARTS NO.	PARTS NAME	REMARKS	SUFFIX
	R9018	NRSA02J-822X	MG RESISTOR		
	R9019	NRSA02J-104X	MG RESISTOR		
	R9020	NRSA02J-104X	MG RESISTOR		
	R9021	NRSA02J-102X	MG RESISTOR		
	R9022	NRSA02J-682X	MG RESISTOR		
	R9023	NRSA02J-103X	MG RESISTOR		
	R9024	NRSA02J-103X	MG RESISTOR		
	R9025	NRSA02J-103X	MG RESISTOR		
	R9026	NRSA02J-102X	MG RESISTOR		
	R9027	NRSA02J-103X	MG RESISTOR		
	R9028	NRSA02J-103X	MG RESISTOR		
	R9029	NRSA02J-102X	MG RESISTOR		
	R9030	NRSA02J-102X	MG RESISTOR		
	R9031	NRSA02J-102X	MG RESISTOR		
	R9032	NRSA02J-103X	MG RESISTOR		
	R9033	NRSA02J-102X	MG RESISTOR		
	R9035	NRSA02J-103X	MG RESISTOR		
	R9036	NRSA02J-102X	MG RESISTOR		
	R9037	NRSA02J-102X	MG RESISTOR		
	R9038	NRSA02J-103X	MG RESISTOR		
	R9039	NRSA02J-104X	MG RESISTOR		
	R9041	NRSA02J-104X	MG RESISTOR		
	R9044	NRSA02J-222X	MG RESISTOR		
	R9045	NRSA02J-333X	MG RESISTOR		
	R9046	NRSA02J-682X	MG RESISTOR		
	R9047	NRSA02J-103X	MG RESISTOR		
	R9048	NRSA02J-103X	MG RESISTOR		
	R9049	NRSA02J-103X	MG RESISTOR		
	R9050	NRSA02J-222X	MG RESISTOR		
	R9051	NRSA02J-222X	MG RESISTOR		
	R9052	NRSA02J-222X	MG RESISTOR		
	R9053	NRSA02J-222X	MG RESISTOR		
	R9054	NRSA02J-222X	MG RESISTOR		
	R9055	NRSA02J-222X	MG RESISTOR		
	R9056	NRSA02J-222X	MG RESISTOR		
	R9057	NRSA02J-103X	MG RESISTOR		
	R9059	NRSA02J-102X	MG RESISTOR		
	R9061	NRSA02J-104X	MG RESISTOR		
	R9062	NRSA02J-104X	MG RESISTOR		
	R9063	NRSA02J-104X	MG RESISTOR		
	R9065	NRSA02J-563X	MG RESISTOR		
	R9066	NRSA02J-473X	MG RESISTOR		
	R9067	NRSA02J-333X	MG RESISTOR		
	R9068	NRSA02J-104X	MG RESISTOR		
	R9069	NRSA02J-102X	MG RESISTOR		
	R9070	NRSA02J-102X	MG RESISTOR		
	R9071	NRSA02J-223X	MG RESISTOR		
	R9072	NRSA02J-333X	MG RESISTOR		
	R9073	NRSA02J-222X	MG RESISTOR		
	R9074	NRSA02J-103X	MG RESISTOR		
	R9075	NRSA02J-102X	MG RESISTOR		
	R9076	NRSA02J-102X	MG RESISTOR		
	R9077	NRSA02J-472X	MG RESISTOR		
	R9078	NRSA02J-223X	MG RESISTOR		
	R9079	NRSA02J-243X	MG RESISTOR		

**Main board**

BLOCK NO. 01111111

REF.	PARTS NO.	PARTS NAME	REMARKS	SUFFIX
R9080	NRSA02J-243X	MG RESISTOR		
R9081	NRSA02J-912X	MG RESISTOR		
R9082	NRSA02J-102X	MG RESISTOR		
R9083	NRSA02J-473X	MG RESISTOR		
R9084	NRSA02J-222X	MG RESISTOR		
R9085	NRSA02J-912X	MG RESISTOR		
R9086	NRSA02J-473X	MG RESISTOR		
R9087	NRSA02J-222X	MG RESISTOR		
R9088	NRSA02J-222X	MG RESISTOR		
R9089	NRSA02J-103X	MG RESISTOR		
R9092	NRSA02J-103X	MG RESISTOR		
R9093	NRSA02J-393X	MG RESISTOR		
R9094	NRSA02J-473X	MG RESISTOR		
R9096	NRSA02J-104X	MG RESISTOR		EE, EV
R9096	NRSA02J-272X	MG RESISTOR		E, EN, B
R9097	NRSA02J-683X	MG RESISTOR		
R9098	NRSA02J-103X	MG RESISTOR		
R9099	NRSA02J-103X	MG RESISTOR		E, EN, B
R9099	NRSA02J-393X	MG RESISTOR		EE, EV
R9101	NRSA02J-102X	MG RESISTOR		
R9102	NRSA02J-102X	MG RESISTOR		
S2501	QSW0647-001Z	TACT SWITCH		
S2502	QSW0647-001Z	TACT SWITCH		
S2503	QSW0647-001Z	TACT SWITCH		
S2504	QSW0647-001Z	TACT SWITCH		
S2505	QSW0647-001Z	TACT SWITCH		
S2506	QSW0647-001Z	TACT SWITCH		
S2507	QSW0647-001Z	TACT SWITCH		
S2508	QSW0647-001Z	TACT SWITCH		
S2509	QSW0647-001Z	TACT SWITCH		
S2510	QSW0647-001Z	TACT SWITCH		
S2511	QSW0647-001Z	TACT SWITCH		
S2512	QSW0647-001Z	TACT SWITCH		
S2513	QSW0647-001Z	TACT SWITCH		
S2514	QSW0647-001Z	TACT SWITCH		
S2515	QSW0647-001Z	TACT SWITCH		
S2521	QSW0122-001	PUSH SWITCH		
X 651	GAX0411-001	CRYSTAL	16.9344MHZ	
X9001	GAX0401-001	CRYSTAL	SUB CLOCK	
X9002	GAX0410-001Z	CERA LOCK	MAIN CLOCK	

BLOCK NO. 02111111

REF.	PARTS NO.	PARTS NAME	REMARKS	SUFFIX
BS 1	VYH5483-001	BATTERY SPRING	FOR UM-1	
BS 2	VYH7199-001	BATTERY SPRING	FOR UM-3	
CN191	GGA2501C1-05	5P CONNECTOR		
CN192	GGA3901C1-02	CONNECTOR		
CN193	GGA7901C1-02	CONNECTOR		
CN631	GGF1205C1-13	CONNECTOR		
CN632	GGF1205C1-14	CONNECTOR		
CN633	GGB2501K1-04	CONNECTOR		
C1901	QFLM1HJ-683Z	M CAPACITOR	.068MF 5% 50V	
C1902	QFLM1HJ-683Z	M CAPACITOR	.068MF 5% 50V	
C1903	QFLM1HJ-683Z	M CAPACITOR	.068MF 5% 50V	
C1904	QFLM1HJ-683Z	M CAPACITOR	.068MF 5% 50V	
C3191	QET41HM-475	E CAPACITOR	4.7MF 20% 50V	
C3192	QET41EM-107	E CAPACITOR	100MF 20% 25V	
C3301	QDYB1CM-103Y	ABCAPACITOR		
C3302	QET41CM-107	E CAPACITOR	100MF 20% 16V	
C3303	QFVJ1HJ-334Z	M CAPACITOR	.33MF 5% 50V	
C3304	QET41CM-107	E CAPACITOR	100MF 20% 16V	
C3791	QDYB1CM-103Y	ABCAPACITOR		
C3901	QET41AM-107	E CAPACITOR	100MF 20% 10V	
C3902	QDX31EM-104Z	C CAPACITOR		
C5101	QFLM1HJ-222Z	M CAPACITOR	2200PF 5% 50V	
C5102	QTE1H28-475Z	E CAPACITOR		
C5103	QTE1H06-475Z	E CAPACITOR	.056MF 5% 50V	
C5104	QFLM1HJ-563Z	M CAPACITOR	.056MF 5% 50V	
C5105	QFLM1HJ-563Z	M CAPACITOR	.056MF 5% 50V	
C5106	QFLM1HJ-562Z	M CAPACITOR	5600PF 5% 50V	
C5201	QFLM1HJ-222Z	M CAPACITOR	2200PF 5% 50V	
C5202	QTE1H28-475Z	E CAPACITOR		
C5203	QTE1H06-475Z	E CAPACITOR		
C5204	QFLM1HJ-563Z	M CAPACITOR	.056MF 5% 50V	
C5205	QFLM1HJ-563Z	M CAPACITOR	.056MF 5% 50V	
C5206	QFLM1HJ-562Z	M CAPACITOR	5600PF 5% 50V	
C5301	QETN1HM-106Z	E CAPACITOR	10MF 20% 50V	
C5302	QET41HM-105	E CAPACITOR	1.0MF 20% 50V	
C5303	QETN1HM-225Z	E CAPACITOR	2.2MF 20% 50V	
C5304	QET41HM-105	E CAPACITOR	1.0MF 20% 50V	
C5305	QETN1HM-106Z	E CAPACITOR	10MF 20% 50V	
C5306	QETN1HM-225Z	E CAPACITOR	2.2MF 20% 50V	
C5307	QFLM1HJ-473Z	M CAPACITOR	.047MF 5% 50V	
C5309	QET41HM-474	E CAPACITOR	.47MF 20% 50V	
C6101	QTE1H06-475Z	E CAPACITOR		
C6102	QCB1HK-151Y	C CAPACITOR	150PF 10% 50V	
C6103	QFV41HJ-104	TF CAPACITOR	.10NF 5% 50V	
C6104	QFV41HJ-104	TF CAPACITOR	.10NF 5% 50V	
C6201	QTE1H06-475Z	E CAPACITOR		
C6202	QCB1HK-151Y	C CAPACITOR	150PF 10% 50V	
C6203	QFV41HJ-104	TF CAPACITOR	.10NF 5% 50V	
C6204	QFV41HJ-104	TF CAPACITOR	.10NF 5% 50V	
C6301	QTE1C28-227Z	E CAPACITOR		
C6302	QETN1EM-336Z	E CAPACITOR	33MF 20% 25V	
C6303	QETN1HM-225Z	E CAPACITOR	2.2MF 20% 50V	
C6304	QETN1HM-225Z	E CAPACITOR	2.2MF 20% 50V	
C6305	QET41EM-107	E CAPACITOR	100MF 20% 25V	
C6306	QET41HM-105	E CAPACITOR	1.0MF 20% 50V	

BLOCK NO. 02

BLOCK NO. 02

A REF.	PARTS NO.	PARTS NAME	REMARKS	SUFFIX
C6307	QET41HM-105	E CAPACITOR	1.0MF 20% 50V	
C6308	QFV41HJ-473	CAPACITOR	.047MF 5% 50V	
C6309	QFV41HJ-473	CAPACITOR	.047MF 5% 50V	
C6314	QTE1E28-476Z	E CAPACITOR		
C6315	QETM1EM-688	E CAPACITOR	6800MF 20% 25V	
C6321	QETN1HM-106Z	E CAPACITOR	10MF 20% 50V	
C8101	QFN41HJ-124	M.RESISTOR	.12MF 5% 50V	
C8102	QFN41HJ-124	M.CAPACITOR	.12MF 5% 50V	
C8103	QTE1E06-226Z	E.CAPACITOR		
C8105	QFVF1HJ-684Z	TF CAPACITOR	.68MF 5% 50V	
C8106	QCS11HJ-150	C CAPACITOR	15PF 5% 50V	
C8201	QFN41HJ-124	M.CAPACITOR	.12MF 5% 50V	
C8202	QFN41HJ-124	M.CAPACITOR	.12MF 5% 50V	
C8203	QTE1E06-226Z	E.CAPACITOR		
C8205	QFVF1HJ-684Z	TF CAPACITOR	.68MF 5% 50V	
C8206	QCS11HJ-150	C CAPACITOR	15PF 5% 50V	
C8301	QET41CM-476	E CAPACITOR	4.7MF 20% 16V	
C8303	QETN1HM-104Z	E CAPACITOR	.10MF 20% 50V	
C8304	QET41HM-475	E CAPACITOR	4.7MF 20% 50V	
C8305	QETN1HM-106Z	E CAPACITOR	10MF 20% 50V	
C8322	QET41CM-476	E CAPACITOR	4.7MF 20% 16V	
C8351	QCS11HJ-680	C CAPACITOR	68PF 5% 50V	
C8352	QCB81HK-221Y	C CAPACITOR	220PF 10% 50V	
C8353	QCB81HK-221Y	C CAPACITOR	220PF 10% 50V	
C8354	QCS11HJ-330	C CAPACITOR	33PF 5% 50V	
C8355	QFVJ1HJ-393Z	CAPACITOR	.039MF 5% 50V	
C8356	QET41CM-107	E CAPACITOR	100MF 20% 16V	
C8357	QCB81HK-101Y	C CAPACITOR	100PF 10% 50V	
C8358	QET41HM-226	E CAPACITOR	22MF 20% 50V	
C8359	QETN1HM-106Z	E CAPACITOR	10MF 20% 50V	
C8360	QFLM1HJ-272Z	M CAPACITOR	2700PF 5% 50V	
C8361	QFLM1HJ-104Z	M CAPACITOR	.10MF 5% 50V	
C8362	QFLM1HJ-473Z	M CAPACITOR	.047MF 5% 50V	
C8363	QCB81HK-101Y	C CAPACITOR	100PF 10% 50V	
C8364	QDVB1CM-103Y	ABCAPACITOR		
A D1901	KBU6036-A3	DIODE		
D1902	1N5401-TM	DIODE		
D3192	MTJ3-08-T2	Z.DIODE I.M		
D3194	MTJ7.5A-T2	Z.DIODE		
D3195	1SS133-T2	DIODE		
D3301	1SS133-T2	DIODE		
D3302	1SS133-T2	DIODE		
D3791	MTJ6-2A-T2	Z.DIODE IDM		
D3901	MTJ8-2B-T2	DIODE		
D6301	1SS133-T2	DIODE		
D6302	1SS133-T2	DIODE		
D6303	1SS133-T2	DIODE		
D6304	1SS133-T2	DIODE		
D8301	MTJ4-3B-T2	ZENER DIODE		
D8302	1SS133-T2	DIODE		
D8303	1SS133-T2	DIODE		
D8304	1SS133-T2	DIODE		
D8351	1SS133-T2	DIODE		
D8352	1SS133-T2	DIODE		
D8353	1SS133-T2	DIODE		

BLOCK NO. 02

A REF.	PARTS NO.	PARTS NAME	REMARKS	SUFFIX
D8354	1SS133-T2	DIODE		
D8355	1SS133-T2	DIODE		
D8356	1SS133-T2	DIODE		
D8357	1SS133-T2	DIODE		
D8358	1SS133-T2	DIODE		
FW401	WJK0042-001A	E-SI C WIRE C-B		
FW901	WJK0041-001A	E-SI C WIRE C-B		
FW902	WJK0043-001A	E-SI C WIRE C-B		
IC310	BA44W12ST-V5/Z1	IC		
IC390	TA78DL06S	IC		
IC501	BH3852S	IC		
IC631	LA4705NA	IC		
IC801	BA15218N	IC	BB AMP	
IC831	BA15218N	IC		
J1901	QNC0042-001	AC SOCKET		
J1902	QNA0016-001	DC JACK		
J6301	QNS0072-001	HEADPHONE JACK		
Q3191	DTA114TSA-T	D.TR.I.M		
Q3192	2S81565/FE/	TRANSISTOR		
Q3193	2SA1175/HFE/-T	TRANSISTOR		
Q3194	2SC2785/FE/-T	TRANSISTOR		
Q3198	DTC114TSA-T	D.TR.I.M		
Q3791	2SC2785/HFE/-T	TRANSISTOR		
Q5101	2SK105/FE/-T	FET I/M		
Q5201	2SK105/FE/-T	FET I/M		
Q6101	KTC3203/OY/-T	TRANSISTOR		
Q6201	KTC3203/OY/-T	TRANSISTOR		
Q6301	DTA114ESA-T	D.TRANSISTOR	MUTE DRIV	
Q8101	2SC2785/FE/-T	TRANSISTOR		
Q8102	2SC2785/FE/-T	TRANSISTOR		
Q8103	2SC2785/FE/-T	TRANSISTOR		
Q8201	2SC2785/FE/-T	TRANSISTOR		
Q8202	2SC2785/FE/-T	TRANSISTOR		
Q8203	2SC2785/FE/-T	TRANSISTOR		
Q8301	DTC144TSA-T	D.TRANSISTOR		
Q8302	DTA114ESA-T	D.TRANSISTOR		
Q8351	DTC124TSA-T	TRANSISTOR		
Q8352	2SA1175/HFE/-T	TRANSISTOR		
Q8353	2SC2785/HFE/-T	TRANSISTOR		
Q8354	2SC2785/HFE/-T	TRANSISTOR		
R1901	GRE141J-103Y	C RESISTOR	10K 5% 1/4W	
R3191	GRE141J-391Y	C RESISTOR	390 5% 1/4W	
R3192	GRE141J-391Y	C RESISTOR	390 5% 1/4W	
R3193	GRE141J-104Y	C RESISTOR	100K 5% 1/4W	
R3194	GRE141J-103Y	C RESISTOR	10K 5% 1/4W	
R3195	GRE141J-1R2Y	C.RESISTOR	1.2 5% 1/4W	
R3196	GRE141J-1R2Y	C.RESISTOR	1.2 5% 1/4W	
R3197	GRE141J-1R2Y	C.RESISTOR	1.2 5% 1/4W	
R3201	GRE141J-152Y	C RESISTOR	1.5K 5% 1/4W	
R3202	GRE141J-152Y	C RESISTOR	1.5K 5% 1/4W	
R3203	GRE141J-103Y	C RESISTOR	10K 5% 1/4W	
R3204	GRE141J-222Y	C RESISTOR	2.2K 5% 1/4W	
R3301	GRE141J-102Y	C RESISTOR	1.0K 5% 1/4W	
R3302	GRE141J-682Y	C RESISTOR	6.8K 5% 1/4W	
R3303	GRE141J-392Y	C RESISTOR	3.9K 5% 1/4W	



BLOCK NO. 02

REF.	PARTS NO.	PARTS NAME	REMARKS	SUFFIX
R3304	GRE141J-682Y	C RESISTOR	6.8K 5% 1/4W	
R3305	GRE141J-592Y	C RESISTOR	3.9K 5% 1/4W	
R3791	GRE141J-103Y	C RESISTOR	10K 5% 1/4W	
R3792	GRE141J-104Y	C RESISTOR	100K 5% 1/4W	
R3793	GRE141J-103Y	C RESISTOR	10K 5% 1/4W	
R3794	GRE141J-683Y	C RESISTOR	68K 5% 1/4W	
R3901	GRZ9006-4R7X	F RESISTOR	4.7 1/0W	
R5101	GRE141J-153Y	C RESISTOR	15K 5% 1/4W	
R5102	GRE141J-123Y	C RESISTOR	12K 5% 1/4W	
R5201	GRE141J-224Y	C RESISTOR	220K 5% 1/4W	
R5202	GRE141J-123Y	C RESISTOR	15K 5% 1/4W	
R5204	GRE141J-224Y	C RESISTOR	12K 5% 1/4W	
R5301	GRE141J-104Y	C RESISTOR	220K 5% 1/4W	
R5302	GRE141J-333Y	C RESISTOR	33K 5% 1/4W	
R5303	GRE141J-104Y	C RESISTOR	100K 5% 1/4W	
R5305	GRE141J-101Y	C RESISTOR	100 5% 1/4W	
R5306	GRE141J-475Y	C RESISTOR	4.7M 5% 1/4W	
R5307	GRE141J-475Y	C RESISTOR	4.7M 5% 1/4W	
R5308	GRE141J-154Y	C RESISTOR	150K 5% 1/4W	
R6101	GRE141J-2R2Y	C RESISTOR	2.2 5% 1/4W	
R6102	GRE141J-2R2Y	C RESISTOR	2.2 5% 1/4W	
R6103	GRE141J-121Y	C RESISTOR	120 5% 1/4W	
R6104	GRE141J-471Y	C RESISTOR	4.70 5% 1/4W	
R6105	GRE141J-393Y	C RESISTOR	39K 5% 1/4W	
R6106	GRE141J-393Y	C RESISTOR	39K 5% 1/4W	
R6107	GRE141J-562Y	C RESISTOR	5.6K 5% 1/4W	
R6108	GRE141J-102Y	C RESISTOR	1.0K 5% 1/4W	
R6201	GRE141J-2R2Y	C RESISTOR	2.2 5% 1/4W	
R6202	GRE141J-2R2Y	C RESISTOR	2.2 5% 1/4W	
R6203	GRE141J-121Y	C RESISTOR	120 5% 1/4W	
R6204	GRE141J-471Y	C RESISTOR	4.70 5% 1/4W	
R6205	GRE141J-393Y	C RESISTOR	39K 5% 1/4W	
R6206	GRE141J-393Y	C RESISTOR	39K 5% 1/4W	
R6207	GRE141J-562Y	C RESISTOR	5.6K 5% 1/4W	
R6208	GRE141J-102Y	C RESISTOR	1.0K 5% 1/4W	
R6301	GRE141J-103Y	C RESISTOR	10K 5% 1/4W	
R6302	GRE141J-153Y	C RESISTOR	15K 5% 1/4W	
R6303	GRE141J-153Y	C RESISTOR	15K 5% 1/4W	
R6325	GRE141J-153Y	C RESISTOR	15K 5% 1/4W	
R8101	GRE141J-272Y	C RESISTOR	2.7K 5% 1/4W	
R8102	GRE141J-562Y	C RESISTOR	5.6K 5% 1/4W	
R8103	GRE141J-182Y	C RESISTOR	1.8K 5% 1/4W	
R8104	GRE141J-184Y	C RESISTOR	180K 5% 1/4W	
R8105	GRE141J-821Y	C RESISTOR	820 5% 1/4W	
R8107	GRE141J-153Y	C RESISTOR	15K 5% 1/4W	
R8108	GRE141J-152Y	C RESISTOR	1.5K 5% 1/4W	
R8109	GRE141J-474Y	C RESISTOR	470K 5% 1/4W	
R8111	GRE141J-104Y	C RESISTOR	100K 5% 1/4W	
R8113	GRE141J-672Y	C RESISTOR	4.7K 5% 1/4W	
R8114	GRE141J-821Y	C RESISTOR	820 5% 1/4W	
R8115	GRE141J-104Y	C RESISTOR	100K 5% 1/4W	
R8116	GRE141J-154Y	C RESISTOR	150K 5% 1/4W	
R8117	GRE141J-103Y	C RESISTOR	10K 5% 1/4W	
R8201	GRE141J-272Y	C RESISTOR	2.7K 5% 1/4W	

BLOCK NO. 02

REF.	PARTS NO.	PARTS NAME	REMARKS	SUFFIX
R8202	GRE141J-562Y	C RESISTOR	5.6K 5% 1/4W	
R8203	GRE141J-182Y	C RESISTOR	1.8K 5% 1/4W	
R8204	GRE141J-184Y	C RESISTOR	180K 5% 1/4W	
R8205	GRE141J-821Y	C RESISTOR	820 5% 1/4W	
R8207	GRE141J-153Y	C RESISTOR	15K 5% 1/4W	
R8208	GRE141J-152Y	C RESISTOR	1.5K 5% 1/4W	
R8209	GRE141J-474Y	C RESISTOR	470K 5% 1/4W	
R8211	GRE141J-104Y	C RESISTOR	100K 5% 1/4W	
R8213	GRE141J-472Y	C RESISTOR	4.7K 5% 1/4W	
R8214	GRE141J-821Y	C RESISTOR	820 5% 1/4W	
R8215	GRE141J-104Y	C RESISTOR	100K 5% 1/4W	
R8216	GRE141J-154Y	C RESISTOR	150K 5% 1/4W	
R8217	GRE141J-103Y	C RESISTOR	10K 5% 1/4W	
R8301	GRE141J-152Y	C RESISTOR	1.5K 5% 1/4W	
R8302	GRE141J-474Y	C RESISTOR	470K 5% 1/4W	
R8303	GRE141J-223Y	C RESISTOR	22K 5% 1/4W	
R8304	GRE141J-223Y	C RESISTOR	22K 5% 1/4W	
R8305	GRE141J-153Y	C RESISTOR	15K 5% 1/4W	
R8306	GRE141J-473Y	C RESISTOR	47K 5% 1/4W	
R8321	GRE141J-101Y	C RESISTOR	100 5% 1/4W	
R8327	GRE141J-223Y	C RESISTOR	22K 5% 1/4W	
R8351	GRE141J-473Y	C RESISTOR	47K 5% 1/4W	
R8352	GRE141J-104Y	C RESISTOR	100K 5% 1/4W	
R8354	GRE141J-101Y	C RESISTOR	100 5% 1/4W	
R8355	GRE141J-474Y	C RESISTOR	470K 5% 1/4W	
R8356	GRE141J-124Y	C RESISTOR	120K 5% 1/4W	
R8357	GRE141J-101Y	C RESISTOR	100 5% 1/4W	
R8358	GRE141J-473Y	C RESISTOR	4.7M 5% 1/4W	
R8359	GRE141J-102Y	C RESISTOR	1.0K 5% 1/4W	
R8360	GRE141J-822Y	C RESISTOR	8.2K 5% 1/4W	
R8361	GRE141J-473Y	C RESISTOR	47K 5% 1/4W	
R8362	GRE141J-822Y	C RESISTOR	8.2K 5% 1/4W	
R8363	GRE141J-101Y	C RESISTOR	100 5% 1/4W	
R8364	GRE141J-473Y	C RESISTOR	47K 5% 1/4W	
R8365	GRE141J-101Y	C RESISTOR	100 5% 1/4W	
R8366	GRE141J-224Y	C RESISTOR	220K 5% 1/4W	
R8367	GRE141J-151Y	C RESISTOR	150 5% 1/4W	
R8368	GRE141J-473Y	C RESISTOR	47K 5% 1/4W	
R8369	GRE141J-473Y	C RESISTOR	47K 5% 1/4W	
R8370	GRE141J-273Y	C RESISTOR	2.7M 5% 1/4W	
R8372	GRE141J-103Y	C RESISTOR	10K 5% 1/4W	
Z1901	GRE141J-103Y	C RESISTOR	10K 5% 1/4W	
Z1902	NGG0020-001Z	FUSE CLIP	FOR F1902	
Z1904	NGG0020-001Z	FUSE CLIP	FOR F1904	
Z1911	NGG0020-001Z	FUSE CLIP	FOR F1902	
Z1922	NGG0020-001Z	FUSE CLIP	FOR F1904	
Z1944	NGG0020-001Z	FUSE CLIP	FOR F1904	

Tuner board

BLOCK NO. 05

A	REF.	PARTS NO.	PARTS NAME	REMARKS	SUFFIX
	BP 1	QGR0757-001Z	BP FILTER		EE, EV
	BP 1	QGR0768-001Z	BP FILTER		E, EN, B
	C 3	QCSB1HK-688Y	C CAPACITOR	6.8PF 10% 50V	E, EN, B
	C 3	QCSB1HK-2R2Y	C CAPACITOR	2.2PF 10% 50V	EE, EV
	C 6	QDYB1CM-103Y	ABCAPACITOR		
	C 7	QCSB1HJ-200Y	C CAPACITOR	20PF 5% 50V	E, EN, B
	C 7	QCSB1HJ-680Y	C CAPACITOR	68PF 5% 50V	EE, EV
	C 9	QCSB1HK-3R9Y	C CAPACITOR	3.9PF 10% 50V	EE, EV
	C 9	QCSB1HJ-420Y	C CAPACITOR	12PF 5% 50V	E, EN, B
	C 13	QDX31EM-223Z	C CAPACITOR		E, EN, B
	C 13	QDX31EM-473Z	C CAPACITOR		EE, EV
	C 16	QDYB1CM-103Y	ABCAPACITOR		
	C 21	QDX31EM-473Z	C CAPACITOR		
	C 22	QFP41HJ-431	PP CAPACITOR	430PF 5% 50V	
	C 23	QDCB1HJ-420Y	C CAPACITOR		
	C 24	QCSB1HJ-620Y	C CAPACITOR	62PF 5% 50V	
	C 25	QETN1HM-104Z	E CAPACITOR	-10MF 20% 50V	
	C 26	QFP31HJ-181Z	PP CAPACITOR	180PF 5% 50V	
	C 27	QCS11HJ-101	C CAPACITOR	100PF 5% 50V	
	C 28	QDCB1HJ-450Y	C CAPACITOR		
	C 31	QDGB1HK-102Y	C CAPACITOR		
	C 32	QDYB1CM-103Y	ABCAPACITOR		
	C 33	QET41AM-107	E CAPACITOR	100MF 20% 10V	
	C 35	QDYB1CM-103Y	ABCAPACITOR		
	C 36	QET41HM-475	E CAPACITOR	4.7MF 20% 50V	
	C 37	QDGB1HK-102Y	C CAPACITOR		
	C 40	QET41HM-105	E CAPACITOR	1.0MF 20% 50V	
	C 41	QET41CM-106	E CAPACITOR	10MF 20% 16V	
	C 42	QDX31EM-473Z	C CAPACITOR		
	C 43	QDYB1CM-103Y	ABCAPACITOR		
	C 44	QETN1HM-104Z	E CAPACITOR	-10MF 20% 50V	
	C 45	QET41HM-474	E CAPACITOR	-4.7MF 20% 50V	
	C 47	QDX31EM-123Z	C CAPACITOR		
	C 48	QDX31EM-123Z	C CAPACITOR		
	C 49	QETN1HM-104Z	E CAPACITOR	-10MF 20% 50V	
	C 50	QETN1HM-104Z	E CAPACITOR	-10MF 20% 50V	
	C 51	QDGB1HK-681Y	C CAPACITOR		
	C 52	QDGB1HK-102Y	C CAPACITOR		
	C 56	QDGB1HK-102Y	C CAPACITOR		
	C 60	QDGB1HK-102Y	C CAPACITOR		
	C 61	QET41AM-107	E CAPACITOR	100MF 20% 10V	
	C 62	QDCB1HJ-120Y	C CAPACITOR		
	C 63	QDGB1HK-102Y	C CAPACITOR		
	C 64	QDCB1HJ-120Y	C CAPACITOR		
	C 65	QDGB1HK-102Y	C CAPACITOR		
	C 66	QCB1HK-151Y	C CAPACITOR	150PF 10% 50V	
	C 69	QDXB1CM-222Y	E CAPACITOR		
	C 70	QETN1HM-225Z	E CAPACITOR	2.2MF 20% 50V	
	C 71	QETN1HM-335Z	E CAPACITOR	3.3MF 20% 50V	
	C 74	QCB1HK-221Y	C CAPACITOR	220PF 10% 50V	
	C 77	QDGB1HK-102Y	C CAPACITOR		
	CF 1	QAX0403-001	C FILTER		
	CF 3	QAX0404-001Z	C FILTER		
	CF 4	QAX0409-001	CERA LOCK		
	CN 1	QGF1205C1-09	CONNECTOR	TO MAIN	

BLOCK NO. 05

A	REF.	PARTS NO.	PARTS NAME	REMARKS	SUFFIX
	D 1	KV1370N-T	VARI-CAP DIODE		EE, EV
	D 1	SVC203SPA-JV-T	VARI CAP		E, EN, B
	D 2	SVC203SPA-JV-T	VARI CAP		E, EN, B
	D 2	KV1370N-T	VARI-CAP DIODE		EE, EV
	D 5	1SS133-T2	DIODE		
	D 8	SVC344-T	VARI CAP		
	D 10	SVC344-T	VARI CAP		
	D 12	DSK10C-T1	DIODE		
	IC 1	TR2008AN	IC		
	IC 2	LC72136N	IC		EE, EV
	L 1	QGR0773-001	FM COIL		E, EN, B
	L 1	QGR0772-001	OSC COIL		EE, EV
	L 2	QGR0781-001	OSC COIL		E, EN, B
	L 2	QGR0769-001	RF COIL		EE, EV
	L 3	QGR0771-001	BAR ANTENA	MW RF	
	L 4	QGR0723-001	OSC COIL (MW)	MW OSC	
	L 6	QGR0774-001	OSC COIL (LW)		
	L 7	QQL231K-221Y	INDUCTOR		
	L 12	QGR0756-001	INDUCTOR		
	Q 2	2SC2668/0/-T	TRANSISTOR TAPE		
	Q 3	2SC2668/0/-T	TRANSISTOR TAPE		
	Q 4	2SA1175/HFE/-T	TRANSISTOR TAPE		
	Q 5	2SC2668/0/-T	TRANSISTOR TAPE		
	Q 6	2SC2668/0/-T	TRANSISTOR TAPE		
	Q 14	D7A11475A-T	D, T-R, I-M		
	R 1	QRE141J-104Y	C RESISTOR	100K 5% 1/4W	
	R 2	QRE141J-473Y	C RESISTOR	47K 5% 1/4W	
	R 3	QRE141J-47Y	C RESISTOR	4.7 5% 1/4W	E, EN, B
	R 3	QRE141J-270Y	C RESISTOR	27 5% 1/4W	EE, EV
	R 7	QRE141J-104Y	C RESISTOR	100K 5% 1/4W	
	R 9	QRE141J-102Y	C RESISTOR	1.0K 5% 1/4W	E, EN, B
	R 9	QRE141J-103Y	C RESISTOR	10K 5% 1/4W	EE, EV
	R 12	QRE141J-472Y	C RESISTOR	4.7K 5% 1/4W	
	R 13	QRE141J-104Y	C RESISTOR	100K 5% 1/4W	
	R 14	QRE141J-103Y	C RESISTOR	10K 5% 1/4W	
	R 15	QRE141J-222Y	C RESISTOR	2.2K 5% 1/4W	
	R 16	QRE141J-472Y	C RESISTOR	4.7K 5% 1/4W	
	R 17	QRE141J-104Y	C RESISTOR	100K 5% 1/4W	
	R 18	QRE141J-102Y	C RESISTOR	1.0K 5% 1/4W	
	R 19	QRE141J-222Y	C RESISTOR	2.2K 5% 1/4W	
	R 20	QRE141J-102Y	C RESISTOR	1.0K 5% 1/4W	
	R 21	QRE141J-103Y	C RESISTOR	10K 5% 1/4W	
	R 28	QRE141J-512Y	C RESISTOR	5.1K 5% 1/4W	
	R 30	QRE141J-104Y	C RESISTOR	100K 5% 1/4W	
	R 31	QRE141J-123Y	C RESISTOR	12K 5% 1/4W	
	R 32	QRE141J-223Y	C RESISTOR	22K 5% 1/4W	
	R 33	QRE141J-101Y	C RESISTOR	100 5% 1/4W	
	R 34	QRE141J-183Y	C RESISTOR	18K 5% 1/4W	
	R 35	QRE141J-183Y	C RESISTOR	18K 5% 1/4W	
	R 36	QRE141J-222Y	C RESISTOR	2.2K 5% 1/4W	
	R 37	QRE141J-560Y	C RESISTOR	56 5% 1/4W	
	R 40	QRE141J-222Y	C RESISTOR	2.2K 5% 1/4W	
	R 41	QRE141J-222Y	C RESISTOR	2.2K 5% 1/4W	
	R 42	QRE141J-473Y	C RESISTOR	47K 5% 1/4W	



Head amp. board

BLOCK NO. 05

REF.	PARTS NO.	PARTS NAME	REMARKS	SUFFIX
C 101	NCS21HJ-821X	C CAPACITOR	820PF 5% 50V	
C 102	NCS21HJ-221X	C CAPACITOR	220PF 5% 50V	
C 103	QEK40JM-227	E CAPACITOR	220MF 20% 6.3V	
C 104	NCB21HK-333X	C CAPACITOR	.033MF 10% 50V	
C 105	NCB21HK-222X	C CAPACITOR	2200PF 10% 50V	
C 106	QEK41CM-106	E CAPACITOR	10MF 20% 16V	
C 107	NCS21HJ-561X	C CAPACITOR	560PF 5% 50V	
C 108	QEK41EM-475	E CAPACITOR	4.7MF 20% 25V	
C 109	QEK41EM-475	E CAPACITOR	4.7MF 20% 25V	
C 110	NCB21HK-682X	C.CAPA. C.M	6800PF 10% 50V	
C 111	NCB21HK-122X	C CAPACITOR	1200PF 10% 50V	
C 112	NCB21HK-683X	C CAPACITOR	.068MF 10% 25V	
C 113	NCB21HK-222X	C CAPACITOR	2200PF 10% 50V	
C 121	NCS21HJ-331X	C CAPACITOR	330PF 5% 50V	
C 201	NCS21HJ-821X	C CAPACITOR	820PF 5% 50V	
C 202	NCS21HJ-221X	C CAPACITOR	220PF 5% 50V	
C 203	QEK40JM-227	E CAPACITOR	220MF 20% 6.3V	
C 204	NCB21HK-333X	C CAPACITOR	.033MF 10% 50V	
C 205	NCB21HK-222X	C CAPACITOR	2200PF 10% 50V	
C 206	QEK41CM-106	E CAPACITOR	10MF 20% 16V	
C 207	NCS21HJ-561X	C CAPACITOR	560PF 5% 50V	
C 208	QEK41EM-475	E CAPACITOR	4.7MF 20% 25V	
C 209	QEK41EM-475	E CAPACITOR	4.7MF 20% 25V	
C 210	NCB21HK-682X	C.CAPA. C.M	6800PF 10% 50V	
C 211	NCB21HK-122X	C CAPACITOR	1200PF 10% 50V	
C 212	NCB21EK-683X	C CAPACITOR	.068MF 10% 25V	
C 221	NCS21HJ-331X	C CAPACITOR	330PF 5% 50V	
C 301	QEKJ1AM-107Z	E CAPACITOR	100MF 20% 10V	
C 302	NCB21HK-393X	C CAPACITOR	.039MF 10% 50V	
C 303	QEK40JM-227	E CAPACITOR	220MF 20% 6.3V	
C 304	QEK41CM-226	E CAPACITOR	22MF 20% 16V	
C 305	QEK41CM-226	E CAPACITOR	22MF 20% 16V	
C 306	QEK41CM-476	E CAPACITOR	47MF 20% 16V	
C 307	NCB21HK-103X	C CAPACITOR	.010MF 10% 50V	
C 308	NCB21HK-562X	C CAPACITOR	5600PF 10% 50V	
C 309	NCB21HK-562X	C CAPACITOR	5600PF 10% 50V	
C 310	NCB21HK-223X	C CAPACITOR	.022MF 10% 50V	
C 311	NCB21HK-682X	C.CAPA. C.M	6800PF 10% 50V	
C 313	QEKJ1AM-107Z	E CAPACITOR	100MF 20% 10V	
C 314	QCZ0205-155Z	ML C CAP I/M	1.5MF	
C 315	QCZ0205-155Z	ML C CAP I/M	1.5MF	
C 316	QFG32AJ-103Z	PP CAPACITOR	.010MF 5% 100V	
C 318	NCB21HK-103X	C CAPACITOR	.010MF 10% 50V	
C 319	QFG32AJ-821Z	TF CAPACITOR	820PF 5% 100V	
C 321	NCB21HK-103X	C CAPACITOR	.010MF 10% 50V	
C 322	QFG32AJ-152Z	M CAPACITOR	1500PF 5% 100V	
C 331	QEK41CM-476	E CAPACITOR	47MF 20% 16V	
C 351	QEK41CM-106	E CAPACITOR	10MF 20% 16V	
C 371	QEK41EM-475	E CAPACITOR	4.7MF 20% 25V	
C 374	QEKJ1AM-107Z	E CAPACITOR	MOTOR +B	
C 375	QEKJ1AM-107Z	E CAPACITOR	100MF 20% 10V	
C 376	NCB21HK-103X	C CAPACITOR	.010MF 10% 50V	
CN 31	GGF1205F1-06	CONNECTOR	PRI/HEAD	
CN 32	QGB2011M1-10	PWB CONECTOR	PRI/MECHA	

BLOCK NO. 05

REF.	PARTS NO.	PARTS NAME	REMARKS	SUFFIX
CN 33	GGF1205F1-09	CONNECTOR	PRI/MICON	
CN 34	GGF1205F1-10	CONNECTOR	PRI/AMP	
D 301	MA152WA-X	DIODE		
D 309	MA704A-X	S.K-DIODE		
D 375	MA3051/M/-X	ZENER DIODE		
FW 31	QUM024-06A223	EF FLAT	HEAD SW	
IC 31	BA3126N	IC	PB&REC	
IC 32	AN7317	IC		
IC 33	BU4094BCF-X	IC		
L 301	QGR0620-001	OSC COIL(BIAS)		
L 303	QGL01BK-100Z	INDUCTOR		
Q 101	DTC114TKA-X	TRANSISTOR	REC EQ CONT.	
Q 102	DTC114TKA-X	TRANSISTOR		
Q 201	DTC114TKA-X	TRANSISTOR	REC EQ CONT.	
Q 202	DTC114TKA-X	TRANSISTOR		
Q 301	DTA14EKA-X	TRANSISTOR	REC EQ CONT.	
Q 302	25C2001/K/-T	TR I/M		
Q 303	25C2001/K/-T	TR I/M		
Q 304	25C2001/LK/-T	TRANSISTOR		
Q 305	25C2001/LK/-T	TRANSISTOR		
Q 306	25C2412K/RS/-X	CHIP TR.C.M		
Q 307	25C2412K/RS/-X	CHIP TR.C.M		
Q 308	25C2412K/RS/-X	CHIP TR.C.M		
Q 309	25C2412K/RS/-X	CHIP TR.C.M		
Q 321	DTC14EKA-X	TRANSISTOR		
Q 323	25C2412K/RS/-X	CHIP TR.C.M		
Q 371	25A952/LK/-T	TRANSISTOR	MOTER+B	
Q 372	DTC124EKA-X	TRANSISTOR		
Q 375	25B562/C/-T	TRANSISTOR	SOLENOID DRIVE	
Q 376	25C2412K/RS/-X	CHIP TR.C.M		
R 101	NRSA02J-220X	MG RESISTOR	22 5% 1/10W	
R 102	NRSA02J-182X	MG RESISTOR	1.8K 5% 1/10W	
R 103	NRSA02J-242NY	MG RESISTOR	2.4K 5% 1/10W	
R 104	NRSA02J-122X	MG RESISTOR	1.2K 5% 1/10W	
R 105	NRSA02J-104X	MG RESISTOR	100K 5% 1/10W	
R 106	NRSA02J-332X	MG RESISTOR	3.3K 5% 1/10W	
R 107	NRSA02J-123X	RES. C.M	12K 5% 1/10W	
R 108	NRSA02J-562X	MG RESISTOR	5.6K 5% 1/10W	
R 109	NRSA02J-122X	MG RESISTOR	1.2K 5% 1/10W	
R 110	NRSA02J-472X	RES. C.M	4.7K 5% 1/10W	
R 111	NRSA02J-333X	MG RESISTOR	33K 5% 1/10W	
R 112	NRSA02J-222X	MG RESISTOR	2.2K 5% 1/10W	
R 113	NRSA02J-472X	RES. C.M	4.7K 5% 1/10W	
R 114	NRSA02J-272X	MG RESISTOR	2.7K 5% 1/10W	
R 116	NRSA02J-102X	RES. C.M	1.0K 5% 1/10W	
R 121	NRSA02J-102X	RES. C.M	1.0K 5% 1/10W	
R 201	NRSA02J-220X	MG RESISTOR	22 5% 1/10W	
R 202	NRSA02J-182X	MG RESISTOR	1.8K 5% 1/10W	
R 203	NRSA02J-242NY	MG RESISTOR	2.4K 5% 1/10W	
R 204	NRSA02J-122X	MG RESISTOR	1.2K 5% 1/10W	
R 205	NRSA02J-104X	MG RESISTOR	100K 5% 1/10W	
R 206	NRSA02J-332X	MG RESISTOR	3.3K 5% 1/10W	
R 207	NRSA02J-123X	RES. C.M	12K 5% 1/10W	
R 208	NRSA02J-562X	MG RESISTOR	5.6K 5% 1/10W	
R 209	NRSA02J-122X	MG RESISTOR	1.2K 5% 1/10W	

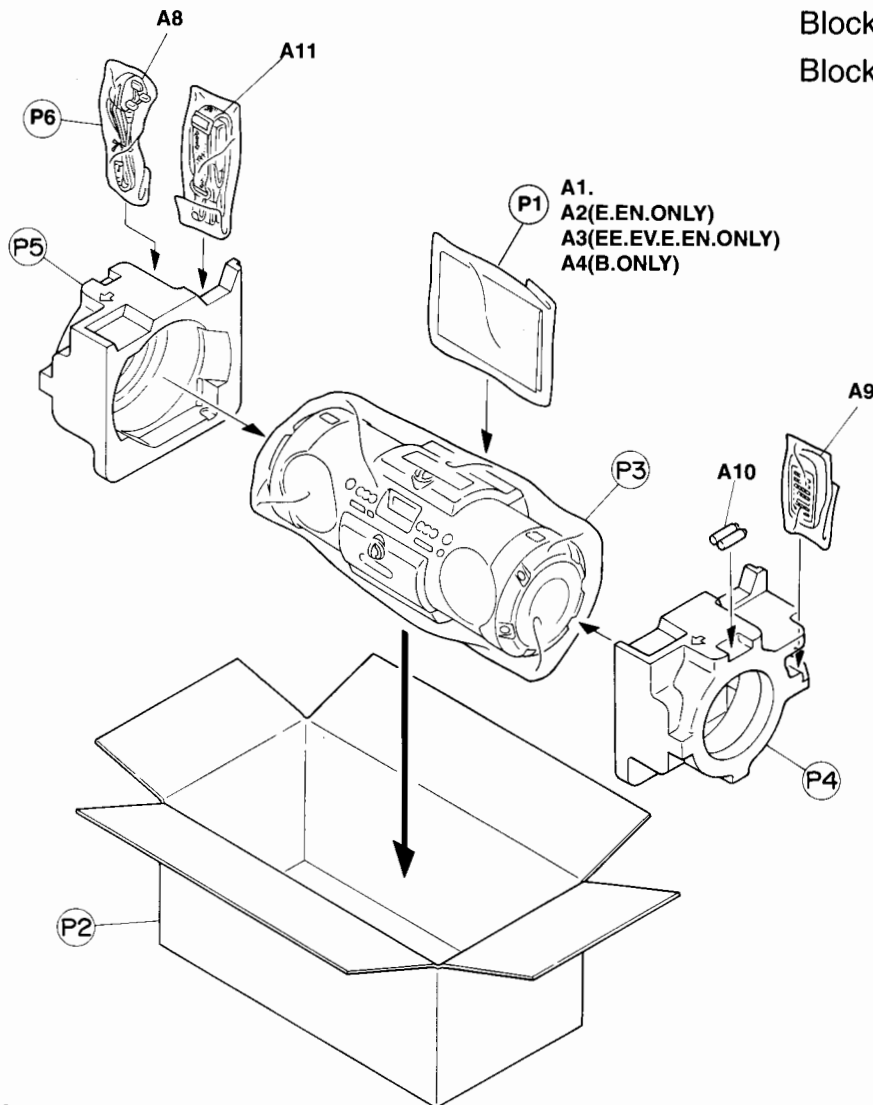
BLOCK NO. 05

REF.	PARTS NO.	PARTS NAME	REMARKS	SUFFIX
R 210	NRSA02J-472X	RES. C.M	4.7K 5% 1/10W	
R 211	NRSA02J-333X	MG RESISTOR	33K 5% 1/10W	
R 212	NRSA02J-222X	MG RESISTOR	2.2K 5% 1/10W	
R 213	NRSA02J-472X	RES. C.M	4.7K 5% 1/10W	
R 214	NRSA02J-272X	MG RESISTOR	2.7K 5% 1/10W	
R 216	NRSA02J-102X	RES. C.M	1.0K 5% 1/10W	
R 221	NRSA02J-102X	RES. C.M	1.0K 5% 1/10W	
R 301	NRS181J-221X	MG RESISTOR	220 5% 1/8W	
R 303	NRSA02J-393X	MG RESISTOR	39K 5% 1/10W	
R 304	NRS181J-101X	MG RESISTOR	100 5% 1/8W	
R 305	NRSA02J-222X	MG RESISTOR	2.2K 5% 1/10W	
R 306	NRSA02J-222X	MG RESISTOR	2.2K 5% 1/10W	
R 310	NRS181J-560X	MG RESISTOR	56 5% 1/8W	
R 311	NRS181J-560X	MG RESISTOR	56 5% 1/8W	
R 313	NRSA02J-3R3MY	RES. C.M	3.3 5% 1/10W	
R 314	NRSA02J-223X	RES. C.M	22K 5% 1/10W	
R 315	NRSA02J-100X	MG RESISTOR	10 5% 1/10W	
R 316	NRSA02J-223X	RES. C.M	22K 5% 1/10W	
R 317	NRSA02J-100X	MG RESISTOR	10 5% 1/10W	
R 319	NRSA02J-152X	MG RESISTOR	1.5K 5% 1/10W	
R 322	NRSA02J-152X	MG RESISTOR	1.5K 5% 1/10W	
R 327	NRSA02J-474X	MG RESISTOR	470K 5% 1/10W	
R 332	NRSA02J-123X	RES. C.M	12K 5% 1/10W	
R 333	NRSA02J-123X	RES. C.M	12K 5% 1/10W	
R 335	NRSA02J-152X	MG RESISTOR	1.5K 5% 1/10W	
R 336	NRSA02J-472X	RES. C.M	4.7K 5% 1/10W	
R 337	NRSA02J-332X	MG RESISTOR	3.3K 5% 1/10W	
R 338	NRSA02J-392X	MG RESISTOR	3.9K 5% 1/10W	
R 339	NRSA02J-222X	MG RESISTOR	2.2K 5% 1/10W	
R 340	NRS181J-391X	MG RESISTOR	390 5% 1/8W	
R 341	NRSA02J-123X	RES. C.M	12K 5% 1/10W	
R 342	NRSA02J-203X	MG RESISTOR	20K 5% 1/10W	
R 343	NRSA02J-183X	MG RESISTOR	18K 5% 1/10W	
R 351	NRSA02J-683X	MG RESISTOR	68K 5% 1/10W	
R 352	NRSA02J-912X	RES. C.M	9.1K 5% 1/10W	
R 371	NRSA02J-123X	RES. C.M	12K 5% 1/10W	
R 372	NRSA02J-102X	RES. C.M	1.0K 5% 1/10W	
R 375	NRSA02J-151X	MG RESISTOR	150 5% 1/10W	
R 376	NRSA02J-472X	RES. C.M	4.7K 5% 1/10W	
VR 31	QVP0008-503Z	SEMI V RESISTOR	BIAS ADJ	
VR 32	QVP0008-503Z	SEMI V RESISTOR	BIAS ADJ	
VR 37	QVP0008-103Z	SEMI V RESISTOR	TAPE SPEED ADJ	

# Packing materials and accessories parts list

Block No.  M  4  M  M

Block No.  M  5  M  M



## ■ Packing parts list

BLOCK NO.  4  M  M

REF.	PARTS NO.	PARTS NAME	REMARKS	QTY	SUFFIX	CLR
P 1	LV30045-0G7A	POLY BAG	FOR INST	1		
P 2	LV30853-006A	CARTON		1		BU
	LV30853-009A	CARTON		1		LT
	LV30853-003A	CARTON		1		GY
P 3	QPC09006015P	POLY BAG		1		
P 4	LV10169-002A	BOTTOM(L)		1		
P 5	LV10169-003A	BOTTOM(R)		1		
P 6	QPA01202505	POLY BAG	WITH OUT B	1		
	QPA01503503	POLY BAG		1	B	

## ■ Accessories parts list

BLOCK NO.  5  M  M

REF.	PARTS NO.	PARTS NAME	REMARKS	QTY	SUFFIX	CLR
A 1	LVT0209-007A	INST BOOK	RUS	1	EE	
	LVT0209-008A	INST BOOK	ENG POL HUN CZE	1	EV	
	LVT0209-003A	INST BOOK	ENG	1	B	
	LVT0209-005A	INST BOOK	GER FRE DUT	1	EN,E	
A 2	LVT0209-006A	INST BOOK	SWE FIN DAN	1	EN	
	LVT0209-004A	INST BOOK	ENG SPA ITA	1	E	
A 3	BT-54008-2	WARRANTY CARD		1	E,EN	
	BT-54012-1	WARRANTY CARD		1	EE,EV	
A 4	VNA3000-203	USER CARD		1	B	
A 8	QMP5520-183E	POWER CORD		1	B	
A 9	QMP39F0-183E	POWER CORD	WITH OUT B	1		
A 10	RM-RXVB55E	REMO-CON UNIT		1		
A 11	-----	BATTERY		2		
	LV30852-005A	SHULDER BELT		1		BU
	LV30852-007A	SHULDER BELT		1		LT
	LV30852-003A	SHULDER BELT		1		GY

# PARTS LIST

[ RV-B55GY ]  
 [ RV-B55BU ]  
 [ RV-B55LTD ]

\* All printed circuit boards and its assemblies are not available as service parts.

Areas suffix	
[ RV-B55GY ]	
A .....	Australia
J .....	U.S.A.

Areas suffix	
[ RV-B55BU ]	
J .....	U.S.A.

Areas suffix	
[ RV-B55LTD ]	
J .....	U.S.A.

Color cord table	
GY....	Gray
BU....	Blue
LT....	Transparent green

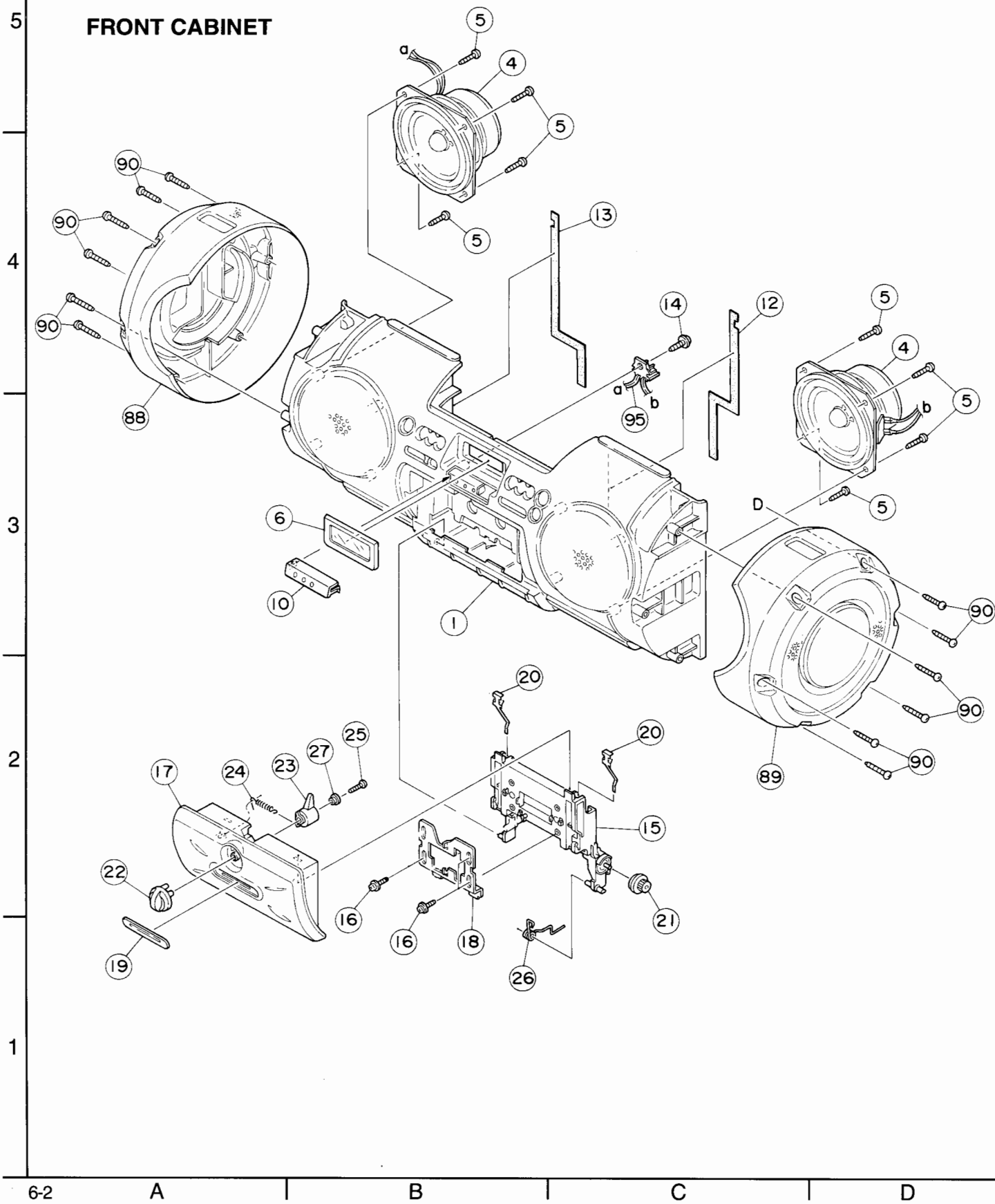
## - Contents -

Exploded view of general assembly and parts list .....	6-2
CD mechanism assembly and parts list .....	Refer to 4-7
Cassette mechanism assembly and parts list .....	Refer to 4-8.9
Electrical parts list .....	6-8
Packing materials and accessories parts list .....	6-18

# Exploded view of general assembly and parts list

Block No. M 1 M M

## FRONT CABINET





## ■ Parts list (General assembly)

BLOCK NO. MM MM MM MM

△ REF.	PARTS NO.	PARTS NAME	REMARKS	QTY	SUFFIX	CLR
1	LV10160-002A	FRONT CABI ASSY		1	J	GY
	LV10160-005A	FRONT CABI ASSY		1	J	BU
	LV10160-008A	FRONT CABI ASSY		1	J	LT
	LV10160-003A	FRONT CABI ASSY		1	A	GY
4	LE10010-010A	SPEAKER	L/R	2		
5	QYSBSF3010Z	SCREW	FOR SPK.	8		
6	VJK4520-001	LCD LENS		1		GY
	VJK4520-061	LCD LENS		1		LT
	VJK4520-051	LCD LENS		1		BU
10	LV40715-001A	LENS		1	J	
	LV40715-002A	LENS		1	A	
12	LV40750-001A	PACKING SHEET L	PEFU(FRONT CABI	1		
13	LV40751-001A	PACKING SHEET R	PEFU(FRONT CABI	1		
14	QYSBSFG3010Z	TAP SCREW	SPK.CON+FRONT	1		
15	LV20298-001A	CASSETTE HOLDER		1		GY
	LV20298-002A	CASSETTE HOLDER		1		BU
	LV20298-003A	CASSETTE HOLDER		1		LT
16	VKZ4794-002	SPECIAL SCREW	EJECT SAFTY	3		
17	LV20299-002A	DOOR COVER		1		BU
	LV20299-003A	DOOR COVER		1		LT
	LV20299-001A	DOOR COVER		1		GY
18	LV30844-001A	EJECT SAFTY	CASS HOLDER	1		
19	LV40717-001A	DOOR LENS		1		GY
	LV40717-002A	DOOR LENS		1		BU
	LV40717-003A	DOOR LENS		1		LT
20	VKY4180-001	CASSETTE SPRING	SUS	2		
21	VYH5601-001	GEAR	POM	1		
22	LV40718-001A	EJECT KNOB	ABS	1		
23	LV40719-001A	CAM(CASS)	POM	1		
24	LV40749-001A	TENSION SPRING	CAM + DOOR COVE	1		
25	QYSBSF2610Z	SCREW	E.KNOB + CAM	1		
26	LV40721-001A	DOOR SPRING	SUS T1.0	1		
27	LV40720-001A	COLLAR (CASS)	SLIDER + D.COVE	1		
88	LV10165-002A	SIDE PROT.ASY L		1		BU
	LV10165-003A	SIDE PROT.ASY L		1		LT
	LV10165-001A	SIDE PROT.ASY L		1		GY
89	LV10166-001A	SIDE PROT.ASY R		1		GY
	LV10166-002A	SIDE PROT.ASY R		1		BU
	LV10166-003A	SIDE PROT.ASY R		1		LT
90	QYSBSF3012N	SCREW	FOR SIDE PROTEC	12		
95	WJJ0034-008A	E-SI C WIRE C-C		1		
120	VND4113-001	G.CAUTION		1	J	



### Parts list (General assembly)

BLOCK NO. **M1MM** [ ] [ ] [ ] [ ]

REF.	PARTS NO.	PARTS NAME	REMARKS	QTY	SUFFIX	CLR
7	LV20331-001A	POWER BUTTON	PAINT X1,PAD X1	1		
8	LV20332-001A	VOLUME BUTTON	PAINT X1,PAD X1	1		
9	QYSBSF2610Z	SCREW	BUTTON + SW PWB	6		
11	LV40716-001A	LED HOLDER		1	J	
	LV40716-002A	LED HOLDER		1	A	
28	SLC-S1YPM	SLC MECHA ASS'Y		1		
29	QYSBSF3014Z	SCREW	FOR SLC	4		
30	LV30845-001A	HEAD SHIELD	SPT T 0.4	1		
31	LV10192-001A	CASS CHASSIS	MIPS	1		
32	VYSA1R6-080	SPACER		2		
33	-----	CD MECHA UNIT		1		
34	VJD5410-204	PICK COVER		1		
35	QYSDSF2006M	SCREW		4		
36	FMYH4003-003	INSULATOR		2		
37	FMYH4003-004	INSULATOR		2		
38	LV40723-001A	CD MECHA HOLDER	EGC T1.0	2		
39	QYSBSF3010Z	SCREW	FOR HOLDER	4		
40	QLD0024-002	LCD		1		
41	LV10162-001A	CD CASE		1	J	GY
	LV10162-002A	CD CASE		1	A	GY
	LV10162-003A	CD CASE		1	J	BU
	LV10162-005A	CD CASE		1	J	LT
42	LV31305-001A	SHIELD		1		
43	QYSBSF3010Z	SCREW	FOR MICON PWB	4		
44	LV40726-001A	LOCK LEVER	POM	1		
46	VYH4769-002SS	GEAR	FOR CD CASE	1		
49	VYSA1R6-080	SPACER		2		
50	LV10163-004A	CD DOOR		1		BU
	LV10163-006A	CD DOOR		1		LT
	LV10163-002A	CD DOOR		1		GY
51	PQ45130-7	JVC MARK	FOR CD DOOR	1		
52	VYH3644-201	CLAMPER	FOR OPTIMA-6	1		
53	VYH7313-003	MAGNET		1		
54	VYH7314-001	YOKE		1		
55	VYH7315-005	PAD		1		
56	LV40718-001A	EJECT KNOB	ABS	1		
57	QYSBSF2610Z	SCREW	E.KNOB + SLIDER	1		
58	LV30846-001A	SLIDER (CD)	POM	1		
59	LV40725-001A	TORSION SPRING	FOR SLIDER	1		
60	LV40728-001A	COLLAR (CD)		1		
61	LV40729-001A	CD DOOR SPRING	SUS	1		
62	LV30847-001A	HEAT SINK(A)	AL T2.0	1		
63	QYSBSF3012Z	SCREW	HEAT SINK(A)+PW	2		
64	LV30848-001A	HEAT SINK(B)		1		
65	E65923-003	TAPPING SCREW	FOR AC	2		
66	QYSBSF3012Z	SCREW	FOR POWER IC	3		
67	QYSBSF3012Z	SCREW	H.SINK(A)+BKT.	2		
68	LV40730-001A	HEAT SINK BKT	FOR HEAT SINK	1		
69	QYSBSF3010Z	SCREW	REAR + H.BKT.	2		
70	VYSA1R6-080	SPACER		1		
71	LV30849-001A	LCD HOLDER	SPT T 0.4	1		
72	VYH8193-002	SHEET	LCD + LCD HOLDE	1		
73	LV10164-002A	REAR CABINET		1		GY
	LV10164-006A	REAR CABINET		1		BU

BLOCK NO. MI1111

REF.	PARTS NO.	PARTS NAME	REMARKS	QTY	SUFFIX	CLR
	LV10164-010A	REAR CABINET		1		LT
74	FMJA3001-00A(D)	ROD ANT ASS'Y		1		
75	VYH5012-006	TERMINAL LUG	SPTE TO.4	1		
76	QYSBSF3012Z	SCREW	TUNER HOLDER+RE	1		
77	LV41032-001A	TUNER HOLDER		1		
78	E65923-003	TAPPING SCREW	FOR H.PHONES	1		
79	QYSDSP3012N	SCREW	FOR ROD ANT	1		
80	VYH8101-001	TRANS SUPPORT	POM	2		
81	QYSBSF3030Z	SCREW	FOR TRANS	4		
82	LV30225-021A	SPACER	TRANS WIRE	2		
83	VYSH102-090	SPACER		1		
85	VJC2016-301	BATTERY COVER		1		GY
	VJC2016-311	BATTERY COVER		1		BU
	VJC2016-321	BATTERY COVER		1		LT
86	VYH5657-001	BATTERY SPRING		1		
91	VKH3012-073	SHAFT(E)	REAR(S.BELT)	2		
92	QYSBSF3040Z	SCREW	FRONT+REAR	8		
93	QYSBSF3010Z	SCREW	CD CASE + REAR	2		
94	LV30851-008A	NAME PLATE		1	A	GY
	LV30851-002A	NAME PLATE		1	J	GY
	LV31004-002A	NAME PLATE		1	J	BU
	LV31005-002A	NAME PLATE		1	J	LT
96	QYSBSF3014Z	SCREW	HEAT SINK(C)	1		
97	LV41029-001A	HEAT SINK(C)		1		
98	E70306-001	HEAT SINK		1		
99	QYSBSF3010Z	SCREW		1		
100	QUQ412-1415CJ	CARD WIRE	MICON PWB-AMP P	1		
101	QUQ412-1313CJ	CARD WIRE	MICON PWB-AMP P	1		
102	QUQ412-1012DJ	CARD WIRE	C.MECHA-MICON P	1		
103	QUQ412-0914DJ	CARD WIRE	C.MECHA-MICON P	1		
104	QUQ412-0912CJ	FFC WIRE	TUNER PWB-MICON	1		
105	QUQ110-1508AJ	CARD WIRE	CD MECHA-CD AMP	1		
106	QJJ010-060606	SIN CR C-C WIRE		1		
107	QUQC12-0606CJ	CARD WIRE	SW PWB-MICON PW	1		
108	QUQC12-1006CJ	CARD WIRE	SW PWB-MICON PW	1		
110	QQT0247-002	POWER TRANS		1	J	
	QGT0247-003	POWER TRANS		1	A	
111	QMF51E2-5R0-J1	FUSE	F1902	1	A	
	QMF51U1-6R3-J1	FUSE	F1902	1	J	
112	QMF51U1-6R3-J1	FUSE	F1903	1	J	
113	QMF51U1-6R3-J1	FUSE	F1904	1	J	
	QMF51E2-6R3-J1	FUSE	F1904	1	A	
114	QMF51N2-1R0-J1	FUSE	F1901	1	J	
	QMF51E2-R315-J1	FUSE	F1901	1	A	
122	VND4118-004	CAUTION LABEL		1	J	LT

88

System control board

BLOCK NO. 01111111

A	REF.	PARTS NO.	PARTS NAME	REMARKS	SUFFIX
	C 604	QEK1AM-107Z	E CAPACITOR	100MF 20% 10V	
	C 605	QETN1HM-106Z	E CAPACITOR	10MF 20% 50V	
	C 606	NCS21HJ-102X	C CAPACITOR		
	C 607	NCS21HJ-102X	C CAPACITOR		
	C 608	QET41HM-105	E CAPACITOR	1.0MF 20% 50V	
	C 609	NCS21HJ-101X	C CAPACITOR		
	C 610	QFLM1HJ-273Z	M CAPACITOR	.027MF 5% 50V	
	C 611	NCS21HJ-222X	C CAPACITOR		
	C 612	NCB21HK-103X	C CAPACITOR		
	C 613	NCS21HJ-331X	C CAPACITOR		
	C 614	QFV41HJ-104	TF CAPACITOR	.10MF 5% 50V	
	C 615	NCB21HK-223X	C CAPACITOR		
	C 616	NCB21HK-223X	C CAPACITOR		
	C 617	NCB21HK-223X	C CAPACITOR		
	C 618	NCS21HJ-222X	C CAPACITOR		
	C 619	NCS21HJ-271X	C CAPACITOR		
	C 620	NCS21HJ-470X	C CAPACITOR		
	C 621	NCS21HJ-821X	C CAPACITOR		
	C 622	QET41EM-476	E CAPACITOR	4.7MF 20% 25V	
	C 623	QFV41HJ-104	TF CAPACITOR	.10MF 5% 50V	
	C 628	QDX31EM-473Z	C CAPACITOR		
	C 629	QET41AM-107	E CAPACITOR	100MF 20% 10V	
	C 631	QET41AM-477	E CAPACITOR	470MF 20% 10V	
	C 632	QEK1AM-107Z	E CAPACITOR	100MF 20% 10V	
	C 651	NCS21HJ-120X	C CAPACITOR		
	C 652	NCS21HJ-150X	C CAPACITOR		
	C 653	NCB21HK-223X	C CAPACITOR		
	C 655	QDX31EM-473Z	C CAPACITOR		
	C 661	NCS21HJ-471X	C CAPACITOR		
	C 662	NCB21HK-223X	C CAPACITOR		
	C 663	QFLM1HJ-223Z	M CAPACITOR	.022MF 5% 50V	
	C 664	NCB21HK-223X	C CAPACITOR		
	C 665	QFV41HJ-104	TF CAPACITOR	.10MF 5% 50V	
	C 671	NCS21HJ-222X	C CAPACITOR		
	C 672	NCS21HJ-222X	C CAPACITOR		
	C 673	QTE1A2B-227Z	E-CAPACITOR		
	C 674	NCB21HK-223X	C CAPACITOR		
	C 675	NCS21HJ-102X	C CAPACITOR		
	C 691	NCS21HJ-151X	C CAPACITOR		
	C 692	NCS21HJ-151X	C CAPACITOR		
	C 693	NCS21HJ-151X	C CAPACITOR		
	C 694	NCS21HJ-151X	C CAPACITOR		
	C 698	NCS21HJ-102X	C CAPACITOR		
	CN251	QGF1205C1-10	CONNECTOR		
	CN252	QGF1205C1-06	CONNECTOR		
	CN403	QGF1205F1-09	CONNECTOR		
	CN405	QGF1205F1-10	CONNECTOR		
	CN406	QGF1205F1-09	CONNECTOR		
	CN407	QGF1205F1-13	CONNECTOR		
	CN408	QGF1205F1-14	CONNECTOR		
	CN601	QGF1008F1-15	21-41 CONNECTOR	TO RF	
	CN602	QGA2001C1-06	6P PLUG ASSY		
	CN901	QGF1205F1-10	CONNECTOR		
	CN902	QGF1205F1-06	CONNECTOR		
	CN907	QGA2501C1-02	2P CONNECTOR		

BLOCK NO. 01111111

A	REF.	PARTS NO.	PARTS NAME	REMARKS	SUFFIX
	C2501	QER61AM-226Z	E CAPACITOR	22MF 20% 10V	
	C2502	QER41CM-476	E CAPACITOR	4.7MF 20% 16V	
	C3361	QER41AM-107	E CAPACITOR	100MF 20% 10V	
	C3362	QER41EM-475	E CAPACITOR	4.7MF 20% 25V	
	C3571	QER41CM-476	E CAPACITOR	4.7MF 20% 16V	
	C4142	NCS21HJ-100X	C CAPACITOR		
	C4143	QER41EM-475	E CAPACITOR	4.7MF 20% 25V	
	C4144	QER41EM-475	E CAPACITOR	4.7MF 20% 25V	
	C4145	QTE1V06-106Z	E CAPACITOR		
	C4151	NCS21HJ-681X	C CAPACITOR		
	C4242	NCS21HJ-100X	C CAPACITOR		
	C4243	QER41EM-475	E CAPACITOR	4.7MF 20% 25V	
	C4244	QER41EM-475	E CAPACITOR	4.7MF 20% 25V	
	C4245	QTE1V06-106Z	E CAPACITOR		
	C4251	NCS21HJ-681X	C CAPACITOR		
	C4341	QER41CM-476	E CAPACITOR	4.7MF 20% 16V	
	C4342	QER61CM-107Z	E CAPACITOR	100MF 20% 16V	
	C4343	NCS21HJ-151X	C CAPACITOR		
	C4344	QER41EM-475	E CAPACITOR	4.7MF 20% 25V	
	C9001	NCS21HJ-220X	C CAPACITOR		
	C9002	NCS21HJ-220X	C CAPACITOR		
	C9003	NCS21HJ-151X	C CAPACITOR		
	C9004	NCS21HJ-471X	C CAPACITOR		
	C9005	NCS21HJ-240X	C CAPACITOR		
	C9006	NCS21HJ-240X	C CAPACITOR		
	C9007	NCS21HJ-360X	C CAPACITOR		
	C9008	NCS21HJ-360X	C CAPACITOR		
	C9009	NCB21HK-103X	C CAPACITOR		
	C9011	NCB21HK-103X	C CAPACITOR		
	C9012	QER61HM-226Z	E CAPACITOR	22MF 20% 50V	
	C9013	NCS21HJ-151X	C CAPACITOR		
	C9015	NCS21HJ-151X	C CAPACITOR		
	C9016	NCS21HJ-151X	C CAPACITOR		
	C9017	NCS21HJ-151X	C CAPACITOR		
	C9018	QER41AM-107	E CAPACITOR	100MF 20% 10V	
	C9019	QER61HM-106Z	E CAPACITOR	10MF 20% 50V	
	C9020	QER61HM-106Z	E CAPACITOR	10MF 20% 50V	
	C9021	QER61HM-106Z	E CAPACITOR	10MF 20% 50V	
	C9022	NCB21HK-103X	C CAPACITOR		
	C9023	NCS21HJ-151X	C CAPACITOR		
	C9024	NCS21HJ-101X	C CAPACITOR		
	C9025	NCS21HJ-151X	C CAPACITOR		
	C9026	NCS21HJ-151X	C CAPACITOR		
	C9027	NCS21HJ-680X	C CAPACITOR		
	C9031	NCB21HK-103X	C CAPACITOR		
	C9034	NCS21HJ-151X	C CAPACITOR		
	C9035	NCS21HJ-151X	C CAPACITOR		
	C9036	NCS21HJ-151X	C CAPACITOR		
	C9037	NCS21HJ-151X	C CAPACITOR		
	C9038	NCS21HJ-151X	C CAPACITOR		
	C9039	NCB21HK-103X	C CAPACITOR		
	C9040	NCS21HJ-102X	C CAPACITOR		
	D 661	1SS133-T2	DIODE		
	D2502	SLR-342VR-T15	LED I M		
	D2504	SLR-342MG-T15	LED I M	ACS IND (GR)	A

RV-B55/GY/BU/LTD

BLOCK NO. 01

REF.	PARTS NO.	PARTS NAME	REMARKS	SUFFIX
R 605	NRSA02J-134X	MG RESISTOR		
R 606	NRSA02J-913X	MG RESISTOR		
R 607	NRSA02J-273X	MG RESISTOR		
R 609	NRSA02J-114X	MG RESISTOR		
R 610	NRSA02J-154X	MG RESISTOR		
R 612	NRSA02J-103X	MG RESISTOR		
R 613	NRSA02J-121X	MG RESISTOR		
R 614	NRSA02J-100X	MG RESISTOR		
R 615	NRSA02J-120X	MG RESISTOR		
R 616	NRSA02J-910X	MG RESISTOR		
R 621	NRSA02J-330X	MG RESISTOR		
R 622	NRSA02J-330X	MG RESISTOR		
R 623	NRSA02J-330X	MG RESISTOR		
R 631	NRSA02J-331X	MG RESISTOR		
R 632	NRSA02J-101X	MG RESISTOR		
R 633	NRSA02J-273X	MG RESISTOR		
R 641	NRSA02J-563X	MG RESISTOR		
R 642	NRSA02J-123X	MG RESISTOR		
R 643	NRSA02J-822X	MG RESISTOR		
R 644	NRSA02J-223X	MG RESISTOR		
R 645	NRSA02J-223X	MG RESISTOR		
R 646	NRSA02J-182X	MG RESISTOR		
R 647	NRSA02J-562X	MG RESISTOR		
R 651	NRSA02J-102X	MG RESISTOR		
R 652	NRSA02J-102X	MG RESISTOR		
R 653	NRSA02J-102X	MG RESISTOR		
R 654	NRSA02J-102X	MG RESISTOR		
R 655	NRSA02J-471X	MG RESISTOR		
R 659	NRSA02J-471X	MG RESISTOR		
R 661	NRSA02J-104X	MG RESISTOR		
R 662	NRSA02J-153X	MG RESISTOR		
R 663	NRSA02J-124X	MG RESISTOR		
R 664	NRSA02J-471X	MG RESISTOR		
R 666	NRSA02J-220X	MG RESISTOR		
R 671	NRSA02J-103X	MG RESISTOR		
R 672	NRSA02J-103X	MG RESISTOR		
R2501	NRS181J-271X	MG RESISTOR		A
R2504	NRSA02J-101X	MG RESISTOR		
R2505	NRSA02J-101X	MG RESISTOR		
R2506	NRSA02J-121X	MG RESISTOR		
R2507	NRSA02J-151X	MG RESISTOR		
R2508	NRSA02J-221X	MG RESISTOR		
R2509	NRSA02J-271X	MG RESISTOR		
R2510	NRSA02J-391X	MG RESISTOR		
R2511	NRSA02J-561X	MG RESISTOR		
R2512	NRSA02J-102X	MG RESISTOR		
R2513	NRSA02J-182X	MG RESISTOR		
R2514	NRSA02J-391X	MG RESISTOR		
R2515	NRSA02J-473X	MG RESISTOR		
R2516	NRS181J-473X	MG RESISTOR		
R2518	NRSA02J-223X	MG RESISTOR		
R2520	NRSA02J-391X	MG RESISTOR		
R2521	NRSA02J-102X	MG RESISTOR		
R2522	NRSA02J-102X	MG RESISTOR		
R2523	NRSA02J-332X	MG RESISTOR		

BLOCK NO. 02

REF.	PARTS NO.	PARTS NAME	REMARKS	SUFFIX
D2505	1S5133-T2	DIODE		
D2506	SLR-342VR-T15	LED I M	AHB ON/OFF(R)	
D2507	1S5133-T2	DIODE		
D3361	1S5133-T2	DIODE		
D3362	MTZJ3.9B-T2	Z DIODE		
D3363	1S5133-T2	DIODE		
D4301	1S5133-T2	DIODE		
D4302	1S5133-T2	DIODE		
D9001	1S5133-T2	DIODE		
D9002	MTZJ5.1C-T2	ZENER DIODE		
D9006	MA700A-T2	S-B DIODE		
FW256	QJK005-021002	SIN CL C-B WIRE		
IC401	VYH7237-002	IC HOLDER	FOR MICON	
IC401	BA15218F-XE	IC	ADDER	
IC601	AN8806SB-W	IC C.M	RF AMP	
IC603	MN35510	IC	1CHIP PROCESSOR	
IC901	MN171603BJ	IC	SYSTEM MICON	
IC902	IC-PST9131-T	IC		
IC903	GP1U281X	IR DETECT UNIT		
J4301	QNS0047-001	JACK	AUX	
K 699	QR0779-001Z	INDUCTOR		
K9001	QR0779-001Z	INDUCTOR		
L4351	QR0779-001Z	INDUCTOR		
L4352	QR0779-001Z	INDUCTOR		
L4353	QL01BK-100Z	INDUCTOR		
L4354	QR0779-001Z	INDUCTOR		
L4355	QL01BK-100Z	INDUCTOR		
L4356	QR0779-001Z	INDUCTOR		
L9001	QL01BK-100Z	INDUCTOR		
L9002	QL01BK-100Z	INDUCTOR		
PL 1	QLL0051-002	LAMP		
Q 601	2SA952/LK/-T	TRANSISTOR		
Q 631	2SA952/LK/-T	TRANSISTOR		
Q2501	DTA124XA-X	CHIP D.TR.C.M		A
Q2504	UN2210-X	TRANSISTOR		
Q2505	2SC2412K/RS/-X	CHIP TR.C.M		
Q2506	DT124TKA-X	TRANSISTOR		
Q3361	2SA1037AK/RS/-X	CHIP TR.C.M	TUNER SW	
Q3362	2SD601A/R/-X	TRANSISTOR		
Q3571	2SB624/4/-X	TRANSISTOR		
Q3572	2SD601A/R/-X	TRANSISTOR		
Q4101	2SD2144S/VW/-T	TRANSISTOR I/M		
Q4102	2SD596/4/-X	TRANSISTOR		
Q4201	2SD2144S/VW/-T	TRANSISTOR I/M		
Q4202	2SD596/4/-X	TRANSISTOR		
Q4301	2SD601A/R/-X	TRANSISTOR		
Q9001	2SC2714/0/-X	TRANSISTOR	MAIN CLOCK	
Q9002	2SC2714/0/-X	TRANSISTOR	MAIN CLOCK	
Q9003	2SD601A/R/-X	TRANSISTOR		
Q9006	2SA1037AK/RS/-X	CHIP TR.C.M		
Q9010	UN2210-X	TRANSISTOR		
Q9011	UN2210-X	TRANSISTOR		
Q9013	UN2210-X	TRANSISTOR		
R 601	NRSA02J-123X	MG RESISTOR		
R 603	NRSA02J-125X	MG RESISTOR		

BLOCK NO. 01

BLOCK NO. 01

A	REF.	PARTS NO.	PARTS NAME	REMARKS	SUFFIX
	R3361	NRSA02J-390X	MG RESISTOR		
	R3362	NRSA02J-102X	MG RESISTOR		
	R3363	NRSA02J-472X	MG RESISTOR		
	R3571	NRSA02J-472X	MG RESISTOR		
	R3572	NRSA02J-472X	MG RESISTOR		
	R3573	NRSA02J-472X	MG RESISTOR		
	R4141	NRSA02J-683X	MG RESISTOR		
	R4142	NRSA02J-273X	MG RESISTOR		
	R4143	NRSA02J-224X	MG RESISTOR		
	R4144	NRSA02J-203X	MG RESISTOR		
	R4145	NRSA02J-124X	MG RESISTOR		
	R4149	NRSA02J-102X	MG RESISTOR		
	R4150	NRSA02J-102X	MG RESISTOR		
	R4151	NRSA02J-823X	MG RESISTOR		
	R4153	NRSA02J-103X	MG RESISTOR		
	R4155	NRSA02J-183X	MG RESISTOR		
	R4158	NRSA02J-203X	MG RESISTOR		
	R4159	NRSA02J-821X	MG RESISTOR		
	R4160	NRSA02J-102X	MG RESISTOR		
	R4161	NRSA02J-273X	MG RESISTOR		
	R4241	NRSA02J-683X	MG RESISTOR		
	R4242	NRSA02J-273X	MG RESISTOR		
	R4243	NRSA02J-224X	MG RESISTOR		
	R4244	NRSA02J-203X	MG RESISTOR		
	R4245	NRSA02J-124X	MG RESISTOR		
	R4249	NRSA02J-102X	MG RESISTOR		
	R4250	NRSA02J-102X	MG RESISTOR		
	R4251	NRSA02J-823X	MG RESISTOR		
	R4253	NRSA02J-103X	MG RESISTOR		
	R4255	NRSA02J-183X	MG RESISTOR		
	R4258	NRSA02J-203X	MG RESISTOR		
	R4259	NRSA02J-821X	MG RESISTOR		
	R4260	NRSA02J-102X	MG RESISTOR		
	R4261	NRSA02J-273X	MG RESISTOR		
	R4301	NRSA02J-222X	MG RESISTOR		
	R4341	NRSA02J-103X	MG RESISTOR		
	R4342	NRSA02J-103X	MG RESISTOR		
	R4343	NRSA02J-101X	MG RESISTOR		
	R9001	NRSA02J-681X	MG RESISTOR		
	R9002	NRSA02J-681X	MG RESISTOR		
	R9003	NRSA02J-222X	MG RESISTOR		
	R9004	NRSA02J-222X	MG RESISTOR		
	R9005	NRSA02J-153X	MG RESISTOR		
	R9006	NRSA02J-472X	MG RESISTOR		
	R9007	NRSA02J-222X	MG RESISTOR		
	R9009	NRSA02J-102X	MG RESISTOR		
	R9010	NRSA02J-103X	MG RESISTOR		
	R9011	NRSA02J-222X	MG RESISTOR		
	R9012	NRSA02J-222X	MG RESISTOR		
	R9013	NRSA02J-222X	MG RESISTOR		
	R9014	NRSA02J-102X	MG RESISTOR		
	R9015	NRSA02J-104X	MG RESISTOR		
	R9016	NRSA02J-224X	MG RESISTOR		
	R9017	NRSA02J-822X	MG RESISTOR		
	R9018	NRSA02J-822X	MG RESISTOR		

A	REF.	PARTS NO.	PARTS NAME	REMARKS	SUFFIX
	R9019	NRSA02J-104X	MG RESISTOR		
	R9020	NRSA02J-104X	MG RESISTOR		
	R9021	NRSA02J-102X	MG RESISTOR		
	R9022	NRSA02J-682X	MG RESISTOR		
	R9023	NRSA02J-103X	MG RESISTOR		
	R9024	NRSA02J-103X	MG RESISTOR		
	R9025	NRSA02J-103X	MG RESISTOR		
	R9026	NRSA02J-102X	MG RESISTOR		
	R9027	NRSA02J-103X	MG RESISTOR		
	R9028	NRSA02J-102X	MG RESISTOR		
	R9029	NRSA02J-102X	MG RESISTOR		
	R9030	NRSA02J-102X	MG RESISTOR		
	R9031	NRSA02J-102X	MG RESISTOR		
	R9032	NRSA02J-103X	MG RESISTOR		
	R9033	NRSA02J-102X	MG RESISTOR		
	R9035	NRSA02J-103X	MG RESISTOR		
	R9036	NRSA02J-102X	MG RESISTOR		
	R9037	NRSA02J-102X	MG RESISTOR		
	R9038	NRSA02J-103X	MG RESISTOR		
	R9039	NRSA02J-103X	MG RESISTOR		
	R9041	NRSA02J-104X	MG RESISTOR		
	R9044	NRSA02J-222X	MG RESISTOR		
	R9045	NRSA02J-333X	MG RESISTOR		
	R9046	NRSA02J-682X	MG RESISTOR		
	R9047	NRSA02J-103X	MG RESISTOR		
	R9048	NRSA02J-103X	MG RESISTOR		
	R9049	NRSA02J-103X	MG RESISTOR		
	R9050	NRSA02J-222X	MG RESISTOR		
	R9051	NRSA02J-222X	MG RESISTOR		
	R9052	NRSA02J-222X	MG RESISTOR		
	R9053	NRSA02J-222X	MG RESISTOR		
	R9054	NRSA02J-222X	MG RESISTOR		
	R9055	NRSA02J-222X	MG RESISTOR		
	R9056	NRSA02J-222X	MG RESISTOR		
	R9057	NRSA02J-103X	MG RESISTOR		
	R9059	NRSA02J-102X	MG RESISTOR		
	R9061	NRSA02J-104X	MG RESISTOR		
	R9062	NRSA02J-104X	MG RESISTOR		
	R9063	NRSA02J-104X	MG RESISTOR		
	R9065	NRSA02J-563X	MG RESISTOR		
	R9066	NRSA02J-473X	MG RESISTOR		
	R9067	NRSA02J-333X	MG RESISTOR		
	R9068	NRSA02J-104X	MG RESISTOR		
	R9069	NRSA02J-102X	MG RESISTOR		
	R9070	NRSA02J-102X	MG RESISTOR		
	R9071	NRSA02J-233X	MG RESISTOR		
	R9072	NRSA02J-333X	MG RESISTOR		
	R9073	NRSA02J-222X	MG RESISTOR		
	R9074	NRSA02J-103X	MG RESISTOR		
	R9075	NRSA02J-102X	MG RESISTOR		
	R9076	NRSA02J-102X	MG RESISTOR		
	R9077	NRSA02J-472X	MG RESISTOR		
	R9078	NRSA02J-223X	MG RESISTOR		
	R9079	NRSA02J-243X	MG RESISTOR		
	R9080	NRSA02J-243X	MG RESISTOR		

**Main board**

BLOCK NO. 02111111

REF.	PARTS NO.	PARTS NAME	REMARKS	SUFFIX
R9081	NRSA02J-912X	MG RESISTOR		
R9082	NRSA02J-102X	MG RESISTOR		
R9083	NRSA02J-473X	MG RESISTOR		
R9084	NRSA02J-222X	MG RESISTOR		
R9085	NRSA02J-912X	MG RESISTOR		
R9086	NRSA02J-473X	MG RESISTOR		
R9087	NRSA02J-222X	MG RESISTOR		
R9088	NRSA02J-222X	MG RESISTOR		
R9089	NRSA02J-103X	MG RESISTOR		
R9092	NRSA02J-103X	MG RESISTOR		
R9093	NRSA02J-393X	MG RESISTOR		
R9094	NRSA02J-473X	MG RESISTOR		
R9096	NRSA02J-623X	MG RESISTOR		
R9097	NRSA02J-683X	MG RESISTOR		A
R9098	NRSA02J-103X	MG RESISTOR		
R9099	NRSA02J-104X	MG RESISTOR		A
R9099	NRSA02J-103X	MG RESISTOR		J
R9101	NRSA02J-102X	MG RESISTOR		
R9102	NRSA02J-102X	MG RESISTOR		
S2501	QSW0647-001Z	TACT SWITCH		
S2502	QSW0647-001Z	TACT SWITCH		
S2503	QSW0647-001Z	TACT SWITCH		
S2504	QSW0647-001Z	TACT SWITCH		
S2505	QSW0647-001Z	TACT SWITCH		
S2506	QSW0647-001Z	TACT SWITCH		
S2507	QSW0647-001Z	TACT SWITCH		
S2508	QSW0647-001Z	TACT SWITCH		
S2509	QSW0647-001Z	TACT SWITCH		
S2510	QSW0647-001Z	TACT SWITCH		
S2511	QSW0647-001Z	TACT SWITCH		
S2512	QSW0647-001Z	TACT SWITCH		
S2513	QSW0647-001Z	TACT SWITCH		
S2514	QSW0647-001Z	TACT SWITCH		
S2515	QSW0647-001Z	TACT SWITCH		
S2521	QSW0122-001	PUSH SWITCH		
X 651	QAX0411-001	CRYSTAL	16.9344MHZ	
X9001	QAX0401-001	CRYSTAL	SUB CLOCK	
X9002	QAX0410-001Z	CERA LOCK	MAIN CLOCK	

BLOCK NO. 02111111

REF.	PARTS NO.	PARTS NAME	REMARKS	SUFFIX
BS 1	VYH7199-001	BATTERY SPRING	FOR UM-3	
BS 1	VYH5483-001	BATTERY SPRING	FOR UM-1	
CM191	QGA2501C1-05	5P CONNECTOR		
CM192	QGA3901C1-02	CONNECTOR		
CM193	QGA7901C1-02	CONNECTOR		
CM631	QGF1205C1-13	CONNECTOR		
CM632	QGF1205C1-14	CONNECTOR		
CM633	QGB2501K1-04	CONNECTOR		
C1901	QFLM1HJ-683Z	M CAPACITOR	.068MF 5% 50V	
C1902	QFLM1HJ-683Z	M CAPACITOR	.068MF 5% 50V	
C1903	QFLM1HJ-683Z	M CAPACITOR	.068MF 5% 50V	
C1904	QFLM1HJ-683Z	M CAPACITOR	.068MF 5% 50V	
C3191	QET41HM-475	E CAPACITOR	4.7MF 20% 50V	
C3192	QET41EM-107	E CAPACITOR	100MF 20% 25V	
C3301	QDYB1CM-103Y	ABCAPACITOR		
C3302	QET41CM-107	E CAPACITOR	100MF 20% 16V	
C3303	QFVJ1HJ-334Z	M CAPACITOR	.33MF 5% 50V	
C3304	QET41CM-107	E CAPACITOR	100MF 20% 16V	
C3791	QDYB1CM-103Y	ABCAPACITOR		
C3901	QET41AM-107	E CAPACITOR	100MF 20% 10V	
C3902	QDX31EM-104Z	C CAPACITOR		
C5101	QFLM1HJ-222Z	M CAPACITOR	2200PF 5% 50V	
C5102	QTE1H28-475Z	E CAPACITOR		
C5103	QTE1H06-475Z	E CAPACITOR		
C5104	QFLM1HJ-563Z	M CAPACITOR	.056MF 5% 50V	
C5105	QFLM1HJ-563Z	M CAPACITOR	.056MF 5% 50V	
C5106	QFLM1HJ-562Z	M CAPACITOR	5600PF 5% 50V	
C5201	QFLM1HJ-222Z	M CAPACITOR	2200PF 5% 50V	
C5202	QTE1H28-475Z	E CAPACITOR		
C5203	QTE1H06-475Z	E CAPACITOR		
C5204	QFLM1HJ-563Z	M CAPACITOR	.056MF 5% 50V	
C5205	QFLM1HJ-563Z	M CAPACITOR	.056MF 5% 50V	
C5206	QFLM1HJ-562Z	M CAPACITOR	5600PF 5% 50V	
C5301	QETN1HM-106Z	E CAPACITOR	10MF 20% 50V	
C5302	QET41HM-105	E CAPACITOR	1.0MF 20% 50V	
C5303	QETN1HM-225Z	E CAPACITOR	2.2MF 20% 50V	
C5304	QET41HM-105	E CAPACITOR	1.0MF 20% 50V	
C5305	QETN1HM-106Z	E CAPACITOR	10MF 20% 50V	
C5306	QETN1HM-225Z	E CAPACITOR	2.2MF 20% 50V	
C5307	QFLM1HJ-473Z	M CAPACITOR	.047MF 5% 50V	
C5309	QET41HM-474	E CAPACITOR	.47MF 20% 50V	
C6101	QTE1H06-475Z	E CAPACITOR		
C6102	QCB81HK-151Y	C CAPACITOR	150PF 10% 50V	
C6103	QFV41HJ-104	TF CAPACITOR	.10MF 5% 50V	
C6104	QFV41HJ-104	TF CAPACITOR	.10MF 5% 50V	
C6201	QTE1H06-475Z	E CAPACITOR		
C6202	QCB81HK-151Y	C CAPACITOR	150PF 10% 50V	
C6203	QFV41HJ-104	TF CAPACITOR	.10MF 5% 50V	
C6204	QFV41HJ-104	TF CAPACITOR	.10MF 5% 50V	
C6301	QTE1G28-227Z	E CAPACITOR		
C6302	QETN1EM-336Z	E CAPACITOR	33MF 20% 25V	
C6303	QETN1HM-225Z	E CAPACITOR	2.2MF 20% 50V	
C6304	QETN1HM-225Z	E CAPACITOR	2.2MF 20% 50V	
C6305	QET41EM-107	E CAPACITOR	100MF 20% 25V	
C6306	QET41HM-105	E CAPACITOR	1.0MF 20% 50V	





BLOCK NO. 02

A	REF.	PARTS NO.	PARTS NAME	REMARKS	SUFFIX
	R3302	QRE141J-682Y	C RESISTOR	6.8K 5% 1/4W	
	R3303	QRE141J-392Y	C RESISTOR	3.9K 5% 1/4W	
	R3304	QRE141J-682Y	C RESISTOR	6.8K 5% 1/4W	
	R3305	QRE141J-392Y	C RESISTOR	3.9K 5% 1/4W	
	R3791	QRE141J-103Y	C RESISTOR	10K 5% 1/4W	
	R3792	QRE141J-104Y	C RESISTOR	10K 5% 1/4W	
	R3793	QRE141J-103Y	C RESISTOR	10K 5% 1/4W	
	R3794	QRE141J-683Y	C RESISTOR	68K 5% 1/4W	
	R3901	QRZ9006-4R7X	F RESISTOR	4.7 1/0W	
	R5101	QRE141J-153Y	C RESISTOR	15K 5% 1/4W	
	R5102	QRE141J-123Y	C RESISTOR	12K 5% 1/4W	
	R5104	QRE141J-224Y	C RESISTOR	22K 5% 1/4W	
	R5201	QRE141J-153Y	C RESISTOR	15K 5% 1/4W	
	R5202	QRE141J-123Y	C RESISTOR	12K 5% 1/4W	
	R5204	QRE141J-224Y	C RESISTOR	22K 5% 1/4W	
	R5301	QRE141J-104Y	C RESISTOR	100K 5% 1/4W	
	R5302	QRE141J-333Y	C RESISTOR	33K 5% 1/4W	
	R5303	QRE141J-104Y	C RESISTOR	100K 5% 1/4W	
	R5305	QRE141J-101Y	C RESISTOR	100 5% 1/4W	
	R5306	QRE141J-475Y	C RESISTOR	4.7M 5% 1/4W	
	R5307	QRE141J-475Y	C RESISTOR	4.7M 5% 1/4W	
	R5308	QRE141J-154Y	C RESISTOR	150K 5% 1/4W	
	R6101	QRE141J-2R2Y	C RESISTOR	2.2 5% 1/4W	
	R6102	QRE141J-2R2Y	C RESISTOR	2.2 5% 1/4W	
	R6103	QRE141J-121Y	C RESISTOR	120 5% 1/4W	
	R6104	QRE141J-471Y	C RESISTOR	470 5% 1/4W	
	R6105	QRE141J-393Y	C RESISTOR	39K 5% 1/4W	
	R6106	QRE141J-393Y	C RESISTOR	39K 5% 1/4W	
	R6107	QRE141J-562Y	C RESISTOR	5.6K 5% 1/4W	
	R6108	QRE141J-102Y	C RESISTOR	1.0K 5% 1/4W	
	R6201	QRE141J-2R2Y	C RESISTOR	2.2 5% 1/4W	
	R6202	QRE141J-2R2Y	C RESISTOR	2.2 5% 1/4W	
	R6203	QRE141J-121Y	C RESISTOR	120 5% 1/4W	
	R6204	QRE141J-471Y	C RESISTOR	470 5% 1/4W	
	R6205	QRE141J-393Y	C RESISTOR	39K 5% 1/4W	
	R6206	QRE141J-393Y	C RESISTOR	39K 5% 1/4W	
	R6207	QRE141J-562Y	C RESISTOR	5.6K 5% 1/4W	
	R6208	QRE141J-102Y	C RESISTOR	1.0K 5% 1/4W	
	R6301	QRE141J-103Y	C RESISTOR	10K 5% 1/4W	
	R6302	QRE141J-153Y	C RESISTOR	15K 5% 1/4W	
	R6303	QRE141J-153Y	C RESISTOR	15K 5% 1/4W	
	R6325	QRE141J-153Y	C RESISTOR	15K 5% 1/4W	
	R8101	QRE141J-272Y	C RESISTOR	2.7K 5% 1/4W	
	R8102	QRE141J-562Y	C RESISTOR	5.6K 5% 1/4W	
	R8103	QRE141J-182Y	C RESISTOR	1.8K 5% 1/4W	
	R8104	QRE141J-184Y	C RESISTOR	180K 5% 1/4W	
	R8105	QRE141J-821Y	C RESISTOR	820 5% 1/4W	
	R8107	QRE141J-153Y	C RESISTOR	15K 5% 1/4W	
	R8108	QRE141J-152Y	C RESISTOR	1.5K 5% 1/4W	
	R8109	QRE141J-474Y	C RESISTOR	470K 5% 1/4W	
	R8111	QRE141J-104Y	C RESISTOR	100K 5% 1/4W	
	R8113	QRE141J-472Y	C RESISTOR	4.7K 5% 1/4W	
	R8114	QRE141J-821Y	C RESISTOR	820 5% 1/4W	
	R8115	QRE141J-104Y	C RESISTOR	100K 5% 1/4W	
	R8116	QRE141J-154Y	C RESISTOR	150K 5% 1/4W	

BLOCK NO. 02

A	REF.	PARTS NO.	PARTS NAME	REMARKS	SUFFIX
	R8117	QRE141J-103Y	C RESISTOR	10K 5% 1/4W	
	R8201	QRE141J-272Y	C RESISTOR	2.7K 5% 1/4W	
	R8202	QRE141J-562Y	C RESISTOR	5.6K 5% 1/4W	
	R8203	QRE141J-182Y	C RESISTOR	1.8K 5% 1/4W	
	R8204	QRE141J-184Y	C RESISTOR	180K 5% 1/4W	
	R8205	QRE141J-821Y	C RESISTOR	820 5% 1/4W	
	R8207	QRE141J-153Y	C RESISTOR	15K 5% 1/4W	
	R8208	QRE141J-152Y	C RESISTOR	1.5K 5% 1/4W	
	R8209	QRE141J-474Y	C RESISTOR	470K 5% 1/4W	
	R8211	QRE141J-104Y	C RESISTOR	100K 5% 1/4W	
	R8213	QRE141J-472Y	C RESISTOR	4.7K 5% 1/4W	
	R8214	QRE141J-821Y	C RESISTOR	820 5% 1/4W	
	R8215	QRE141J-104Y	C RESISTOR	100K 5% 1/4W	
	R8216	QRE141J-154Y	C RESISTOR	150K 5% 1/4W	
	R8217	QRE141J-103Y	C RESISTOR	10K 5% 1/4W	
	R8301	QRE141J-152Y	C RESISTOR	1.5K 5% 1/4W	
	R8302	QRE141J-474Y	C RESISTOR	470K 5% 1/4W	
	R8303	QRE141J-223Y	C RESISTOR	22K 5% 1/4W	
	R8304	QRE141J-223Y	C RESISTOR	22K 5% 1/4W	
	R8305	QRE141J-153Y	C RESISTOR	15K 5% 1/4W	
	R8306	QRE141J-473Y	C RESISTOR	47K 5% 1/4W	
	R8321	QRE141J-101Y	C RESISTOR	100 5% 1/4W	
	R8327	QRE141J-223Y	C RESISTOR	22K 5% 1/4W	
	R8351	QRE141J-473Y	C RESISTOR	47K 5% 1/4W	
	R8352	QRE141J-104Y	C RESISTOR	100K 5% 1/4W	
	R8354	QRE141J-101Y	C RESISTOR	100 5% 1/4W	
	R8355	QRE141J-474Y	C RESISTOR	470K 5% 1/4W	
	R8356	QRE141J-124Y	C RESISTOR	120K 5% 1/4W	
	R8357	QRE141J-101Y	C RESISTOR	100 5% 1/4W	
	R8358	QRE141J-475Y	C RESISTOR	4.7M 5% 1/4W	
	R8359	QRE141J-102Y	C RESISTOR	1.0K 5% 1/4W	
	R8360	QRE141J-822Y	C RESISTOR	8.2K 5% 1/4W	
	R8361	QRE141J-473Y	C RESISTOR	47K 5% 1/4W	
	R8362	QRE141J-822Y	C RESISTOR	8.2K 5% 1/4W	
	R8363	QRE141J-101Y	C RESISTOR	100 5% 1/4W	
	R8364	QRE141J-473Y	C RESISTOR	47K 5% 1/4W	
	R8365	QRE141J-101Y	C RESISTOR	100 5% 1/4W	
	R8366	QRE141J-224Y	C RESISTOR	220K 5% 1/4W	
	R8367	QRE141J-151Y	C RESISTOR	150 5% 1/4W	
	R8368	QRE141J-473Y	C RESISTOR	47K 5% 1/4W	
	R8369	QRE141J-473Y	C RESISTOR	47K 5% 1/4W	
	R8370	QRE141J-275Y	C RESISTOR	2.7M 5% 1/4W	
	R8372	QRE141J-103Y	C RESISTOR	10K 5% 1/4W	
	R8373	QRE141J-103Y	C RESISTOR	10K 5% 1/4W	
	Z1901	QNG0020-001Z	FUSE CLIP	FOR F1902	J
	Z1902	QNG0020-001Z	FUSE CLIP	F1903	
	Z1903	QNG0020-001Z	FUSE CLIP	FOR F1904	
	Z1904	QNG0020-001Z	FUSE CLIP	FOR F1904	
	Z1911	QNG0020-001Z	FUSE CLIP	FOR F1902	J
	Z1922	QNG0020-001Z	FUSE CLIP	FOR F1902	J
	Z1933	QNG0020-001Z	FUSE CLIP	F1903	
	Z1944	QNG0020-001Z	FUSE CLIP	FOR F1904	

Tuner board

BLOCK NO. 03111111

A	REF.	PARTS NO.	PARTS NAME	REMARKS	SUFFIX
	BP	1	QGR0768-001Z	BPF	
C	3	QCSB1HK-0R8Y	C CAPACITOR	6.8PF 10% 50V	A
C	3	QCSB1HK-3R9Y	C CAPACITOR	3.9PF 10% 50V	J
C	6	QDYB1CM-103Y	ABCAPACITOR		A
C	7	QCS11HJ-200	C CAPACITOR	20PF 5% 50V	A
C	7	QDGB1HK-102Y	C CAPACITOR		J
C	9	QCS11HJ-120	C CAPACITOR	12PF 5% 50V	J
C	13	QDX31EM-223Z	C CAPACITOR		A
C	16	QDYB1CM-103Y	ABCAPACITOR		A
C	17	QCS11HJ-200	C CAPACITOR	20PF 5% 50V	A
C	21	QDX31EM-473Z	C CAPACITOR		A
C	22	GFP41HJ-431	PP CAPACITOR	4.30PF 5% 50V	A
C	23	QDGB1HK-4R7Y	C CAPACITOR		A
C	23	QDGB1HK-120Y	C CAPACITOR		J
C	25	QDX31EM-223Z	C CAPACITOR		A
C	26	QFLM1HJ-472Z	M CAPACITOR	4.700PF 5% 50V	A
C	31	QDGB1HK-102Y	C CAPACITOR		A
C	32	QDYB1CM-103Y	ABCAPACITOR		A
C	33	QET41AM-107	E CAPACITOR	100MF 20% 10V	A
C	35	QDYB1CM-103Y	ABCAPACITOR		A
C	35	QETN1HM-104Z	E CAPACITOR	.10MF 20% 50V	J
C	36	QET41HM-475	E CAPACITOR	4.7MF 20% 50V	J
C	37	QDGB1HK-102Y	C CAPACITOR		A
C	38	QDYB1CM-103Y	ABCAPACITOR		J
C	43	QDYB1CM-103Y	ABCAPACITOR		J
C	43	QETN1HM-104Z	E CAPACITOR	.10MF 20% 50V	J
C	44	QETN1HM-105Z	E CAPACITOR	1.0MF 20% 50V	J
C	44	QETN1HM-104Z	E CAPACITOR	.10MF 20% 50V	J
C	45	QETN1HM-474Z	E CAPACITOR	.47MF 20% 50V	A
C	45	QETN1HM-104Z	E CAPACITOR	.10MF 20% 50V	J
C	47	QDX31EM-123Z	C CAPACITOR		A
C	48	QDX31EM-123Z	C CAPACITOR		A
C	49	QETN1HM-104Z	E CAPACITOR	.10MF 20% 50V	A
C	50	QETN1HM-104Z	E CAPACITOR	.10MF 20% 50V	A
C	51	QCSB1HK-331Y	C CAPACITOR	330PF 10% 50V	A
C	52	QDGB1HK-102Y	C CAPACITOR		A
C	56	QDGB1HK-102Y	C CAPACITOR		A
C	56	QDGB1HK-102Y	C CAPACITOR		J
C	60	QDGB1HK-102Y	C CAPACITOR		J
C	61	QET41AM-107	E CAPACITOR	100MF 20% 10V	A
C	62	QDGB1HJ-120Y	C CAPACITOR		A
C	63	QDGB1HK-102Y	C CAPACITOR		A
C	64	QDGB1HJ-120Y	C CAPACITOR		A
C	65	QDGB1HK-102Y	C CAPACITOR		A
C	66	QCSB1HK-151Y	C CAPACITOR	150PF 10% 50V	A
C	67	QCSB1HK-151Y	C CAPACITOR	150PF 10% 50V	J
C	69	QDYB1CM-222Y	C CAPACITOR		A
C	70	QETN1HM-225Z	E CAPACITOR	2.2MF 20% 50V	A
C	71	QETN1HM-335Z	E CAPACITOR	3.3MF 20% 50V	A
C	71	QETN1CM-106Z	E CAPACITOR	10MF 20% 16V	J
C	74	QCSB1HK-221Y	C CAPACITOR	230PF 10% 50V	A

BLOCK NO. 03111111

A	REF.	PARTS NO.	PARTS NAME	REMARKS	SUFFIX
C	75	QDCB1HK-6R8Y	C CAPACITOR		A
C	76	QDX31EM-103Z	C CAPACITOR		A
C	77	QDGB1HK-102Y	C CAPACITOR		A
C	78	QDCB1HK-5R6Y	C CAPACITOR		A
CF	1	QAX0403-001	C FILTER		A
CF	3	GAX0404-001Z	C FILTER		A
CF	3	QAX0538-001Z	C FILTER		J
CF	4	QAX0409-001	CERA LOCK		A
CN	1	GGF1205C1-09	CONNECTOR	TO MAIN	A
D	1	SVC2035PA-JV-T	VARI CAP		A
D	2	SVC2035SPA-JV-T	VARI CAP		A
D	5	1SS133-T2	DIODE		J
D	6	1SS133-T2	DIODE		A
D	8	SVC344-T	VARI CAP		A
D	10	SVC344-T	VARI CAP		A
D	12	DSK10C-T1	DIODE		J
IC	1	TA2104AN	IC		A
IC	1	TA2008AN	IC		A
IC	2	LC72136N	IC		J
K	1	QGR0779-001Z	INDUCTOR		J
L	1	QGR0772-001	OSC COIL	FM OSC	A
L	2	QGR0769-001	RF COIL	FM RF	A
L	3	QGR0770-001	BAR ANTENA		J
L	3	QGR0745-001	BAR ANTENA		J
L	4	QGR0723-001	OSC COIL(MW)	MW OSC	A
L	6	QGR0775-001	OSC COIL		A
L	7	QGL231K-221Y	INDUCTOR		J
L	10	QGL231K-4R7Y	INDUCTOR I.M		J
L	12	QGR0756-001	INDUCTOR		A
L	13	QGR0874-001	COIL		A
Q	1	2SC2668/0/-T	TRANSISTOR TAPE		J
Q	3	2SC2668/0/-T	TRANSISTOR TAPE		A
Q	4	2SA1175/HFE/-T	TRANSISTOR		A
Q	5	2SC2668/0/-T	TRANSISTOR TAPE		A
Q	6	2SC2668/0/-T	TRANSISTOR TAPE		A
Q	16	2SC2668/0/-T	TRANSISTOR TAPE		A
Q	17	DTA114YSA-T	D.TR-I.M		A
R	1	QRE141J-104Y	C RESISTOR	100K 5% 1/4W	A
R	2	QRE141J-473Y	C RESISTOR	47K 5% 1/4W	A
R	3	QRE141J-270Y	C RESISTOR	27 5% 1/4W	A
R	3	QRE141J-4R7Y	C RESISTOR	.7 5% 1/4W	J
R	4	QRE141J-473Y	C RESISTOR	47K 5% 1/4W	J
R	7	QRE141J-104Y	C RESISTOR	100K 5% 1/4W	J
R	9	QRE141J-472Y	C RESISTOR	4.7K 5% 1/4W	J
R	9	QRE141J-102Y	C RESISTOR	1.0K 5% 1/4W	A
R	12	QRE141J-472Y	C RESISTOR	4.7K 5% 1/4W	A
R	13	QRE141J-104Y	C RESISTOR	100K 5% 1/4W	A
R	15	QRE141J-222Y	C RESISTOR	2.2K 5% 1/4W	A
R	16	QRE141J-472Y	C RESISTOR	4.7K 5% 1/4W	A
R	17	QRE141J-104Y	C RESISTOR	100K 5% 1/4W	A
R	18	QRE141J-102Y	C RESISTOR	1.0K 5% 1/4W	A
R	20	QRE141J-102Y	C RESISTOR	1.0K 5% 1/4W	A
R	20	QRE141J-223Y	C RESISTOR	22K 5% 1/4W	J
R	21	QRE141J-103Y	C RESISTOR	10K 5% 1/4W	A
R	24	QRE141J-681Y	C RESISTOR	680 5% 1/4W	J

**Switc board**

BLOCK NO. 04

REF.	PARTS NO.	PARTS NAME	REMARKS	SUFFIX
CN 1	QGB2011L1-10	TOP PLUG ASSY		
D 1	1SR139-100-T2	SI DIODE		
IC 1	SG-105F3-BB-C	PHOTO SENSER		
P 1	GNZ0104-001	POST PIN		
SW 1	MXS00220MVLO	CASSETTE SWITCH	R.REC	
SW 2	MXS00220MVLO	CASSETTE SWITCH	TAPE	
SW 4	MXS00220MVLO	CASSETTE SWITCH	70U	
SW 5	MXS00220MVLO	CASSETTE SWITCH	F.REC	
SW 6	GSW0507-001	SWITCH		

BLOCK NO. 03

REF.	PARTS NO.	PARTS NAME	REMARKS	SUFFIX
R 25	GRE141J-102Y	C RESISTOR	1.0K 5% 1/4W	J
R 28	GRE141J-512Y	C RESISTOR	5.1K 5% 1/4W	A
R 30	GRE141J-104Y	C RESISTOR	100K 5% 1/4W	A
R 30	GRE141J-183Y	C RESISTOR	18K 5% 1/4W	J
R 31	GRE141J-104Y	C RESISTOR	100K 5% 1/4W	J
R 32	GRE141J-332Y	C RESISTOR	3.3K 5% 1/4W	J
R 32	GRE141J-223Y	C RESISTOR	22K 5% 1/4W	A
R 33	GRE141J-331Y	C RESISTOR	330 5% 1/4W	J
R 33	GRE141J-331Y	C RESISTOR	330 5% 1/4W	A
R 33	GRE141J-101Y	C RESISTOR	100 5% 1/4W	A
R 34	GRE141J-393Y	C RESISTOR	39K 5% 1/4W	A
R 34	GRE141J-223Y	C RESISTOR	22K 5% 1/4W	J
R 35	GRE141J-223Y	C RESISTOR	22K 5% 1/4W	J
R 35	GRE141J-393Y	C RESISTOR	39K 5% 1/4W	A
R 37	GRE141J-560Y	C RESISTOR	56 5% 1/4W	A
R 38	GRE141J-101Y	C RESISTOR	100 5% 1/4W	J
R 39	GRE141J-101Y	C RESISTOR	100 5% 1/4W	J
R 40	GRE141J-222Y	C RESISTOR	2.2K 5% 1/4W	A
R 41	GRE141J-222Y	C RESISTOR	2.2K 5% 1/4W	A
R 42	GRE141J-473Y	C RESISTOR	47K 5% 1/4W	A
R 44	GRE141J-222Y	C RESISTOR	2.2K 5% 1/4W	A
R 45	GRE141J-102Y	C RESISTOR	1.0K 5% 1/4W	A
R 46	GRE141J-103Y	C RESISTOR	10K 5% 1/4W	A
R 47	GRE141J-220Y	C RESISTOR	22 5% 1/4W	J
R 47	GRE141J-471Y	C RESISTOR	470 5% 1/4W	A
R 48	GRE141J-102Y	C RESISTOR	1.0K 5% 1/4W	A
R 51	GRE141J-102Y	C RESISTOR	1.0K 5% 1/4W	A
R 52	GRE141J-103Y	C RESISTOR	10K 5% 1/4W	J
R 52	GRE141J-472Y	C RESISTOR	4.7K 5% 1/4W	A
R 54	GRE141J-222Y	C RESISTOR	2.2K 5% 1/4W	A
R 55	GRE141J-222Y	C RESISTOR	2.2K 5% 1/4W	A
R 56	GRE141J-332Y	C RESISTOR	3.3K 5% 1/4W	A
R 57	GRE141J-102Y	C RESISTOR	1.0K 5% 1/4W	A
R 59	GRE141J-102Y	C RESISTOR	1.0K 5% 1/4W	A
R 60	GRE141J-102Y	C RESISTOR	1.0K 5% 1/4W	A
R 61	GRE141J-102Y	C RESISTOR	1.0K 5% 1/4W	A
R 63	GRE141J-473Y	C RESISTOR	47K 5% 1/4W	A
R 64	GRE141J-102Y	C RESISTOR	1.0K 5% 1/4W	A
R 66	GRE141J-103Y	C RESISTOR	10K 5% 1/4W	A
R 71	GRE141J-472Y	C RESISTOR	4.7K 5% 1/4W	A
R 72	GRE141J-473Y	C RESISTOR	47K 5% 1/4W	A
T 2	QAV0540-001	IFT		J
T 2	QGR0719-001	IFT		A
TC 2	GAT3725-200Z	T CAPACITOR	MW RF	A
TC 3	GAT3725-100Z	T CAPACITOR		A
TP 1	GNZ0104-001	POST PIN	TO ROD ANT	
TP 2	GNZ0104-001	POST PIN	GND	
X 1	QAY0402-001	CRYSTAL		J
ZD 1	MTZJ3.0B-T2	Z-DIODE I.M		

Head amp. board

BLOCK NO. 05111111

A REF.	PARTS NO.	PARTS NAME	REMARKS	SUFFIX
C 101	NC821HJ-821X	C CAPACITOR	820PF 5% 50V	
C 102	NC821HJ-221X	E CAPACITOR	220PF 5% 50V	
C 103	QK40JM-227	C CAPACITOR	220MF 20% 6.3V	
C 104	NC821HK-333X	C CAPACITOR	.033MF 10% 50V	
C 105	NC821HK-222X	E CAPACITOR	2200PF 10% 50V	
C 106	QK41CM-106	E CAPACITOR	10MF 20% 16V	
C 107	NC821HJ-561X	C CAPACITOR	560PF 5% 50V	
C 108	QK41EM-475	E CAPACITOR	4.7MF 20% 25V	
C 109	QK41EM-475	E CAPACITOR	4.7MF 20% 25V	
C 110	NC821HK-682X	C.CAPA. C.M	6800PF 10% 50V	
C 111	NC821HK-122X	C CAPACITOR	1200PF 10% 50V	
C 112	NC821EK-683X	C CAPACITOR	.68MF 10% 25V	
C 113	NC821HK-222X	C CAPACITOR	2200PF 10% 50V	
C 121	NC821HJ-331X	C CAPACITOR	330PF 5% 50V	
C 201	NC821HJ-821X	C CAPACITOR	820PF 5% 50V	
C 202	NC821HJ-221X	C CAPACITOR	220PF 5% 50V	
C 203	QK40JM-227	E CAPACITOR	220MF 20% 6.3V	
C 204	NC821HK-333X	C CAPACITOR	.033MF 10% 50V	
C 205	NC821HK-222X	C CAPACITOR	2200PF 10% 50V	
C 206	QK41CM-106	E CAPACITOR	10MF 20% 16V	
C 207	NC821HJ-561X	C CAPACITOR	560PF 5% 50V	
C 208	QK41EM-475	E CAPACITOR	4.7MF 20% 25V	
C 209	QK41EM-475	E CAPACITOR	4.7MF 20% 25V	
C 210	NC821HK-682X	C.CAPA. C.M	6800PF 10% 50V	
C 211	NC821HK-122X	C CAPACITOR	1200PF 10% 50V	
C 212	NC821EK-683X	C CAPACITOR	.68MF 10% 25V	
C 213	NC821HK-222X	C CAPACITOR	2200PF 10% 50V	
C 221	NC821HJ-331X	C CAPACITOR	330PF 5% 50V	
C 301	QK41AM-107Z	E CAPACITOR	100MF 20% 10V	
C 302	NC821HK-393X	C CAPACITOR	.039MF 10% 50V	
C 303	QK40JM-227	E CAPACITOR	220MF 20% 6.3V	
C 304	QK41CM-226	E CAPACITOR	22MF 20% 16V	
C 305	QK41CM-226	E CAPACITOR	22MF 20% 16V	
C 306	QK41CM-476	E CAPACITOR	47MF 20% 16V	
C 307	NC821HK-103X	C CAPACITOR	.010MF 10% 50V	
C 308	NC821HK-562X	C CAPACITOR	5600PF 10% 50V	
C 309	NC821HK-562X	C CAPACITOR	5600PF 10% 50V	
C 310	NC821HK-223X	C CAPACITOR	.022MF 10% 50V	
C 311	NC821HK-682X	C.CAPA. C.M	6800PF 10% 50V	
C 313	QK41AM-107Z	E CAPACITOR	100MF 20% 10V	
C 314	QZ0203-155Z	ML C CAP I/M	1.5MF	
C 315	QZ0203-155Z	ML C CAP I/M	1.5MF	
C 316	QF32AJ-103Z	PP CAPACITOR	.010MF 5% 100V	
C 318	NC821HK-103X	C CAPACITOR	.010MF 10% 50V	
C 319	QF32AJ-821Z	TF CAPACITOR	820PF 5% 100V	
C 321	NC821HK-103X	C CAPACITOR	.010MF 10% 50V	
C 322	QF32AJ-152Z	M CAPACITOR	1500PF 5% 100V	
C 331	QK41CM-476	E CAPACITOR	47MF 20% 16V	
C 351	QK41CM-106	E CAPACITOR	10MF 20% 16V	
C 371	QK41EM-475	E CAPACITOR	4.7MF 20% 25V	
C 374	QK41AM-107Z	E CAPACITOR	MOTOR +B	
C 375	QK41AM-107Z	E CAPACITOR	100MF 20% 10V	
C 376	NC821HK-103X	C CAPACITOR	.010MF 10% 50V	
CN 31	GGF1205F1-06	CONNECTOR	PRI/HEAD	
CN 32	QGB2011M1-10	PWB CONECTOR	PRI/MECHA	

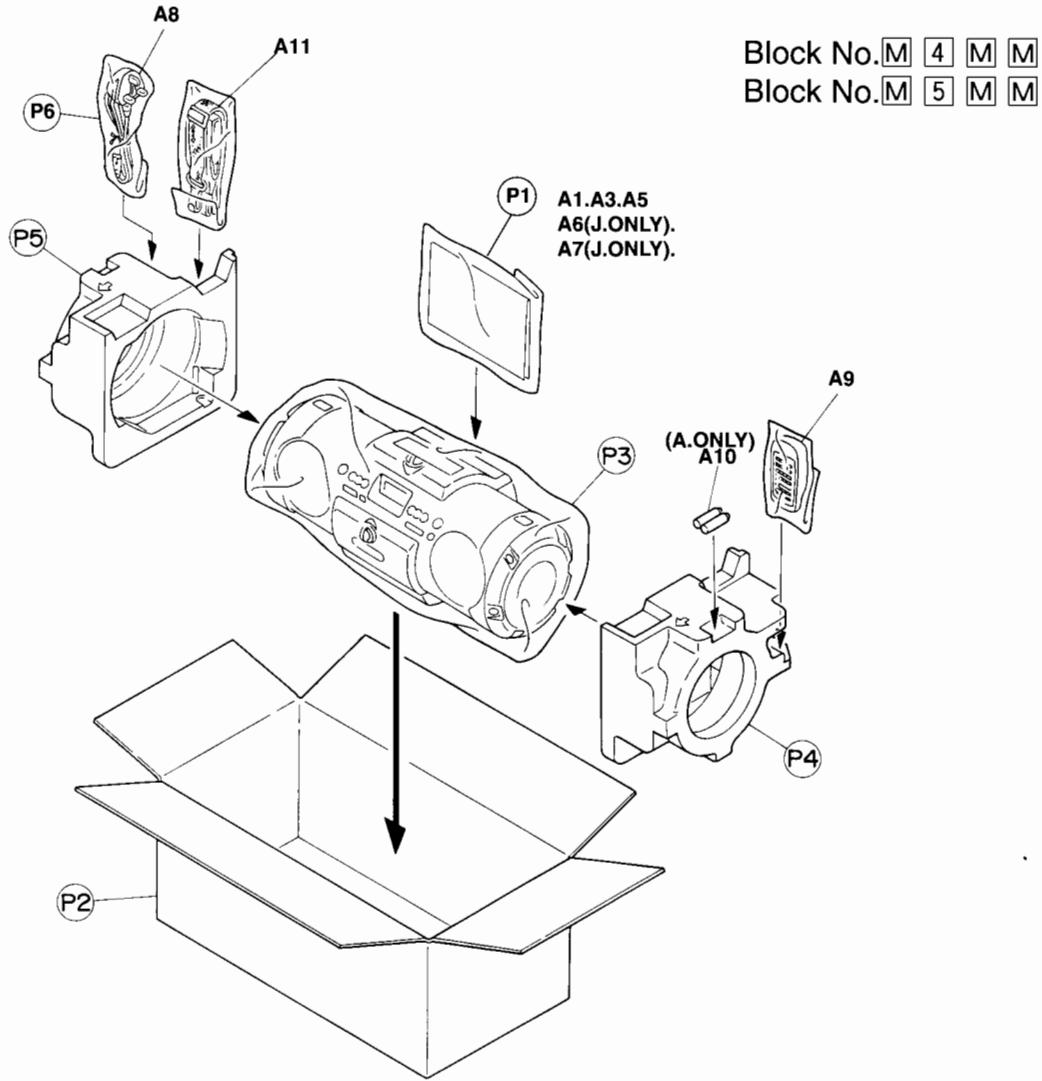
BLOCK NO. 05111111

A REF.	PARTS NO.	PARTS NAME	REMARKS	SUFFIX
CN 33	GGF1205F1-09	CONNECTOR	PRI/MICON	
CN 34	GGF1205F1-10	CONNECTOR	PRI/AMP	
D 301	MA152MA-X	DIODE		
D 309	MA704A-X	S.K.DIODE		
D 375	MA3051/M-X	ZENER DIODE		
FW 31	GUM024-06A2Z3	EF FLAT	HEAD SW	
IC 31	BA3126N	IC	PB&REC	
IC 32	AN7317	IC		
IC 33	BU4094BCF-X	IC		
L 301	QGR0620-001	OSC COIL(BIAS)		
L 303	QGL01BK-100Z	INDUCTOR		
Q 101	DTC114TKA-X	TRANSISTOR	REC EQ CONT.	
Q 102	DTC114TKA-X	TRANSISTOR		
Q 201	DTC114TKA-X	TRANSISTOR	REC EQ CONT.	
Q 202	DTC114TKA-X	TRANSISTOR	REC EQ CONT.	
Q 301	DTC144EKA-X	TRANSISTOR		
Q 302	2SC2001/K/-T	TR I/M		
Q 303	2SC2001/K/-T	TR I/M		
Q 304	2SC2001/LK/-T	TRANSISTOR		
Q 305	2SC2001/LK/-T	TRANSISTOR		
Q 306	2SC2412K/RS/-X	CHIP TR.C.M		
Q 307	2SC2412K/RS/-X	CHIP TR.C.M		
Q 308	2SC2412K/RS/-X	CHIP TR.C.M		
Q 309	2SC2412K/RS/-X	CHIP TR.C.M		
Q 321	DTC144EKA-X	TRANSISTOR		
Q 323	2SC2412K/RS/-X	CHIP TR.C.M		
Q 371	2SA932/LK/-T	TRANSISTOR	MOTER+B	
Q 372	DTC124EKA-X	TRANSISTOR		
Q 375	2SB562/C/-T	TRANSISTOR	SOLENOID DRIVE	
Q 376	2SC2412K/RS/-X	CHIP TR.C.M		
R 101	NRSA02J-220X	MG RESISTOR	22 5% 1/10W	
R 102	NRSA02J-182X	MG RESISTOR	1.8K 5% 1/10W	
R 103	NRSA02J-242NY	MG RESISTOR	2.4K 5% 1/10W	
R 104	NRSA02J-122X	MG RESISTOR	1.2K 5% 1/10W	
R 105	NRSA02J-104X	MG RESISTOR	100K 5% 1/10W	
R 106	NRSA02J-332X	MG RESISTOR	3.3K 5% 1/10W	
R 107	NRSA02J-123X	RES. C.M	12K 5% 1/10W	
R 108	NRSA02J-562X	MG RESISTOR	5.6K 5% 1/10W	
R 109	NRSA02J-122X	MG RESISTOR	1.2K 5% 1/10W	
R 110	NRSA02J-472X	RES. C.M	4.7K 5% 1/10W	
R 111	NRSA02J-333X	MG RESISTOR	33K 5% 1/10W	
R 112	NRSA02J-222X	MG RESISTOR	2.2K 5% 1/10W	
R 113	NRSA02J-472X	RES. C.M	4.7K 5% 1/10W	
R 114	NRSA02J-272X	MG RESISTOR	2.7K 5% 1/10W	
R 116	NRSA02J-102X	RES. C.M	1.0K 5% 1/10W	
R 121	NRSA02J-102X	RES. C.M	1.0K 5% 1/10W	
R 201	NRSA02J-220X	MG RESISTOR	22 5% 1/10W	
R 202	NRSA02J-182X	MG RESISTOR	1.8K 5% 1/10W	
R 203	NRSA02J-242NY	MG RESISTOR	2.4K 5% 1/10W	
R 204	NRSA02J-122X	MG RESISTOR	1.2K 5% 1/10W	
R 205	NRSA02J-104X	MG RESISTOR	100K 5% 1/10W	
R 206	NRSA02J-332X	MG RESISTOR	3.3K 5% 1/10W	
R 207	NRSA02J-123X	RES. C.M	12K 5% 1/10W	
R 208	NRSA02J-562X	MG RESISTOR	5.6K 5% 1/10W	
R 209	NRSA02J-122X	MG RESISTOR	1.2K 5% 1/10W	

BLOCK NO. 05111111

REF.	PARTS NO.	PARTS NAME	REMARKS	SUFFIX
R 210	NRSA02J-472X	RES. C-M	4.7K 5% 1/10W	
R 211	NRSA02J-333X	MG RESISTOR	33K 5% 1/10W	
R 212	NRSA02J-222X	MG RESISTOR	2.2K 5% 1/10W	
R 213	NRSA02J-472X	RES. C-M	4.7K 5% 1/10W	
R 214	NRSA02J-272X	MG RESISTOR	2.7K 5% 1/10W	
R 216	NRSA02J-102X	RES. C-M	1.0K 5% 1/10W	
R 221	NRSA02J-102X	RES. C-M	1.0K 5% 1/10W	
R 301	NRS181J-221X	MG RESISTOR	220 5% 1/8W	
R 303	NRSA02J-393X	MG RESISTOR	39K 5% 1/10W	
R 304	NRS181J-101X	MG RESISTOR	100 5% 1/8W	
R 305	NRSA02J-222X	MG RESISTOR	2.2K 5% 1/10W	
R 306	NRSA02J-222X	MG RESISTOR	2.2K 5% 1/10W	
R 310	NRS181J-560X	MG RESISTOR	56 5% 1/8W	
R 311	NRS181J-560X	MG RESISTOR	56 5% 1/8W	
R 313	NRSA02J-3R3NY	RES. C-M	3.3 5% 1/10W	
R 314	NRSA02J-223X	RES. C-M	22K 5% 1/10W	
R 315	NRSA02J-100X	MG RESISTOR	10 5% 1/10W	
R 316	NRSA02J-223X	RES. C-M	22K 5% 1/10W	
R 317	NRSA02J-100X	MG RESISTOR	10 5% 1/10W	
R 319	NRSA02J-152X	MG RESISTOR	1.5K 5% 1/10W	
R 322	NRSA02J-152X	MG RESISTOR	1.5K 5% 1/10W	
R 327	NRSA02J-474X	MG RESISTOR	470K 5% 1/10W	
R 332	NRSA02J-123X	RES. C-M	12K 5% 1/10W	
R 333	NRSA02J-123X	RES. C-M	12K 5% 1/10W	
R 335	NRSA02J-152X	MG RESISTOR	1.5K 5% 1/10W	
R 336	NRSA02J-472X	RES. C-M	4.7K 5% 1/10W	
R 337	NRSA02J-332X	MG RESISTOR	3.3K 5% 1/10W	
R 338	NRSA02J-392X	MG RESISTOR	3.9K 5% 1/10W	
R 339	NRSA02J-222X	MG RESISTOR	2.2K 5% 1/10W	
R 340	NRS181J-391X	MG RESISTOR	390 5% 1/8W	
R 341	NRSA02J-123X	RES. C-M	12K 5% 1/10W	
R 342	NRSA02J-203X	MG RESISTOR	20K 5% 1/10W	
R 343	NRSA02J-183X	MG RESISTOR	18K 5% 1/10W	
R 351	NRSA02J-683X	MG RESISTOR	68K 5% 1/10W	
R 352	NRSA02J-912X	RES. C-M	9.1K 5% 1/10W	
R 371	NRSA02J-123X	RES. C-M	12K 5% 1/10W	
R 372	NRSA02J-102X	RES. C-M	1.0K 5% 1/10W	
R 375	NRSA02J-151X	MG RESISTOR	150 5% 1/10W	
R 376	NRSA02J-472X	RES. C-M	4.7K 5% 1/10W	
VR 31	QVP0008-503Z	SEMI V RESISTOR	BIAS ADJ	
VR 32	QVP0008-503Z	SEMI V RESISTOR	BIAS ADJ	
VR 37	QVP0008-103Z	SEMI V RESISTOR	TAPE SPEED ADJ	

# Packing materials and accessories parts list



## ■ Packing parts list

BLOCK NO. **M4MM** | | |

REF.	PARTS NO.	PARTS NAME	REMARKS	QTY	SUFFIX	CLR
P 1	QPA02503503P	POLY BAG	FOR INST	1		
P 2	LV30853-002A	CARTON		1	J	GY
	LV30853-015A	CARTON		1	J	BU
	LV30853-018A	CARTON		1	J	LT
	LV30853-003A	CARTON		1	A	GY
P 3	QPC09006015P	POLY BAG		1		
P 4	LV10169-002A	SIDE CUSHION L		1		
P 5	LV10169-003A	SIDE CUSHION R		1		
P 6	QPA01202505	POLY BAG	FOR POWER CORD	1		

## ■ Accessories parts list

BLOCK NO. **M5MM** | | |

REF.	PARTS NO.	PARTS NAME	REMARKS	QTY	SUFFIX	CLR
A 1	LVT0209-009A	INST BOOK	ENG	1	A	
	LVT0209-002A	INST BOOK	ENG SPA FRE	1	J	
A 3	BT-56001-2	WARRANTY CARD		1	A	
	BT-51018-1	WARRANTY CARD		1	J	
	BT-52004-1	WARRANTY CARD		1	J	
A 5	BT-56002-2	SVC CENTER LIST		1	A	
	BT-20071B	SVC CENTER LIST		1	J	
A 6	BT-20044G	SAFETY INST		1	J	
A 7	BT-51020-2	REGIST CARD		1	J	
A 8	QMP25D0-183	POWER CORD		1	A	
A 9	QMPE090-183-JD	POWER CORD		1	J	
	RM-RXVB55E	REMO-CON UNIT		1	A	
	RM-RXVB55	REMO-CON UNIT		1	J	
A 10	-----	BATTERY		2	A	
A 11	LV30852-003A	SHULDER BELT		1		GY
	LV30852-005A	SHULDER BELT		1		BU
	LV30852-007A	SHULDER BELT		1		LT

# JVC

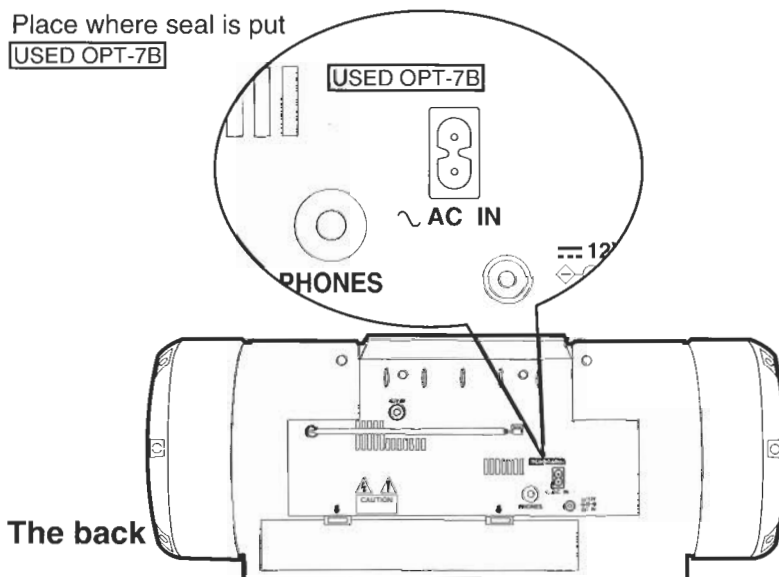
## SERVICE MANUAL

### CD PORTABLE SYSTEM

## RV-B55 GY/BU/LTD

### Supplement

- In this model, pick-up is up to a change of issue machine to OPTIMA-7B from OPTIMA-150S on the way.
- The seal is put to the model where OPTIMA-7B is installed on the place shown below.
- Parts are changed for the model where OPTIMA-7B is installed besides pick-up.
- Therefore, this service manual is composed of "Standard schematic diagram (CD servo section)" and "Printed circuit board (System control board)" "parts list (Only the change parts)" and, additionally, refer to service manual No.20769 issued before, please.



#### Area Suffix (RV-B55GY)

A	.....	Australia
B	.....	U.K.
E	.....	Continental Europe
EE	...	Russian Federation
EN	.....	Northern Europe
EV	.....	Eastern Europe
J	.....	U.S.A.
UB	.....	Hong Kong
US	.....	Singapore
UT	.....	Taiwan
UY	.....	Argentina
UX	.....	Saudi Arabia
UP	.....	Korea
U	.....	Other Area

#### Area Suffix (RV-B55BU / RV-B55LTD)

B	.....	U.K.
E	.....	Continental Europe
EN	.....	Northern Europe
J	.....	U.S.A.
UB	.....	Hong Kong
US	.....	Singapore
UT	.....	Taiwan
U	.....	Other Area

### Contents

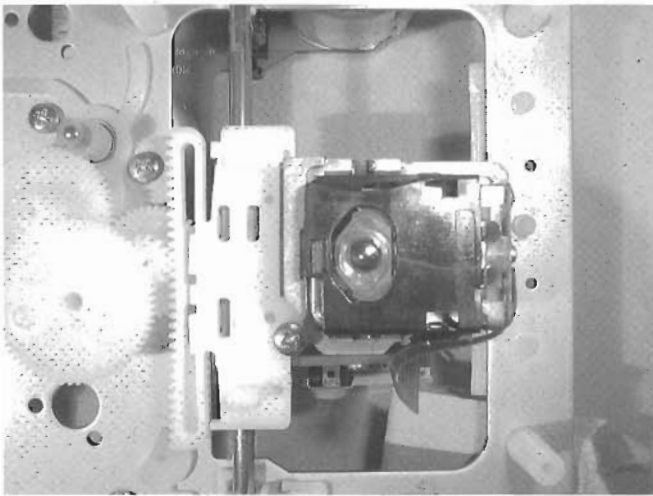
About pick-up	.....	2
Standard schematic diagram(CD servo section)	.....	3
Printed circuit board(System control board)	.....	4
Parts list(Only the change parts)	.....	5



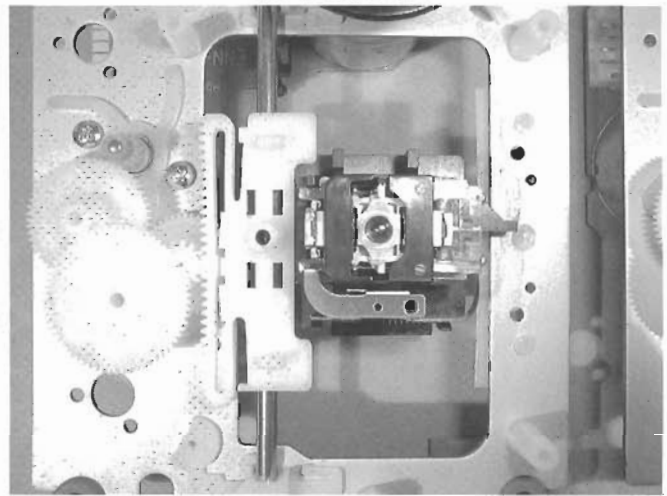
# About pick-up

## ■ Difference of each pick-up

OPTIMA-150S

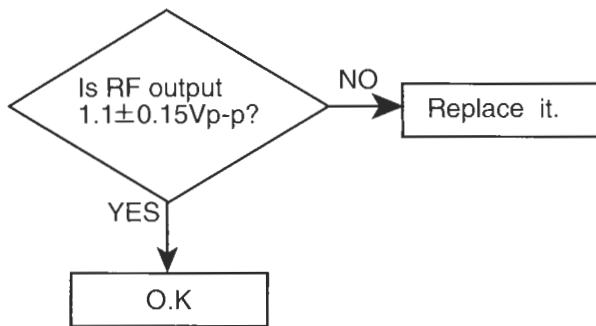


OPTIMA-7B

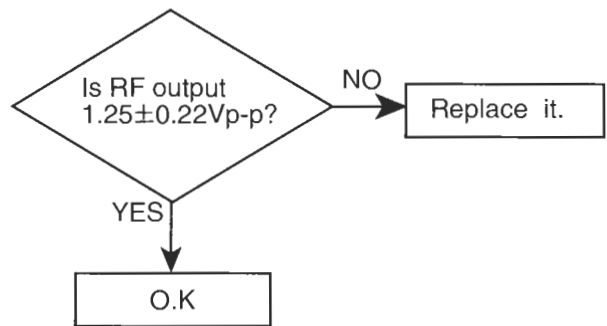


## ■ RF Level (From "Maintenance of laser Pickup" section)

OPTIMA-150S



OPTIMA-7B



# Standard schematic diagram

## CD servo circuit

5

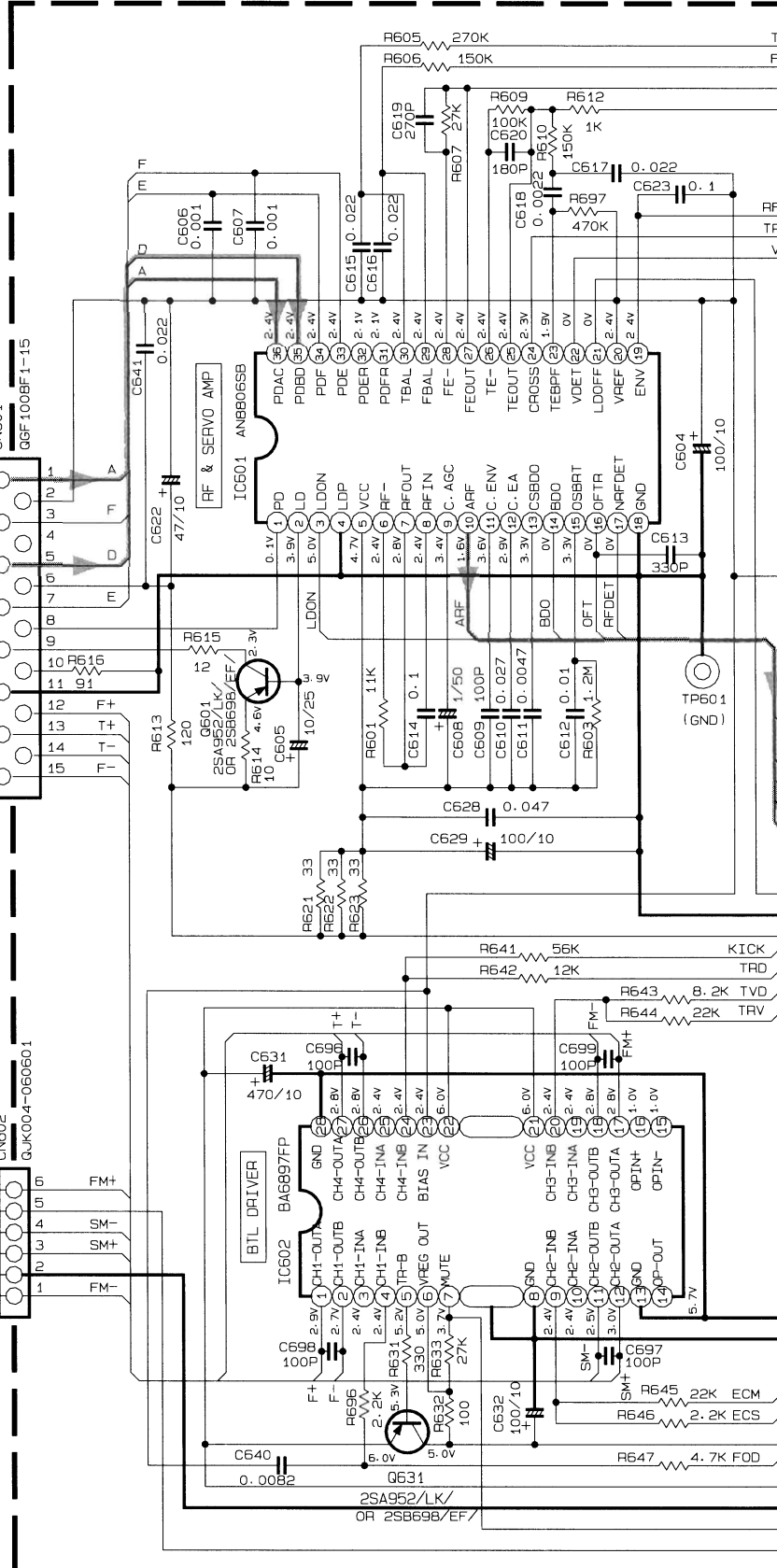
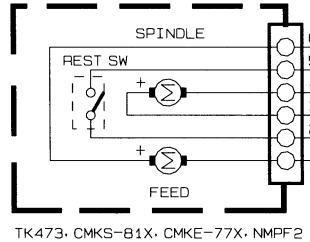
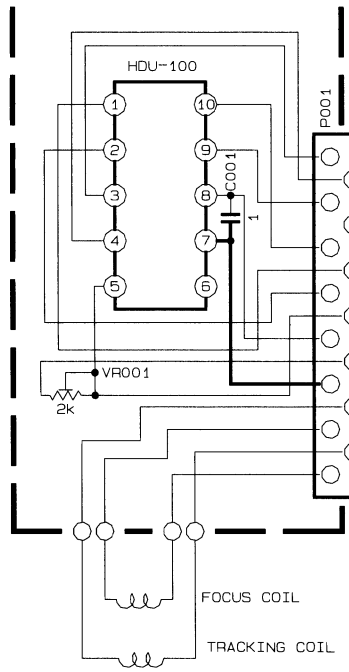
4

3

2

1

PICKUP ASS'Y  
OPTIMA-7B  
HQ100008



NOTES

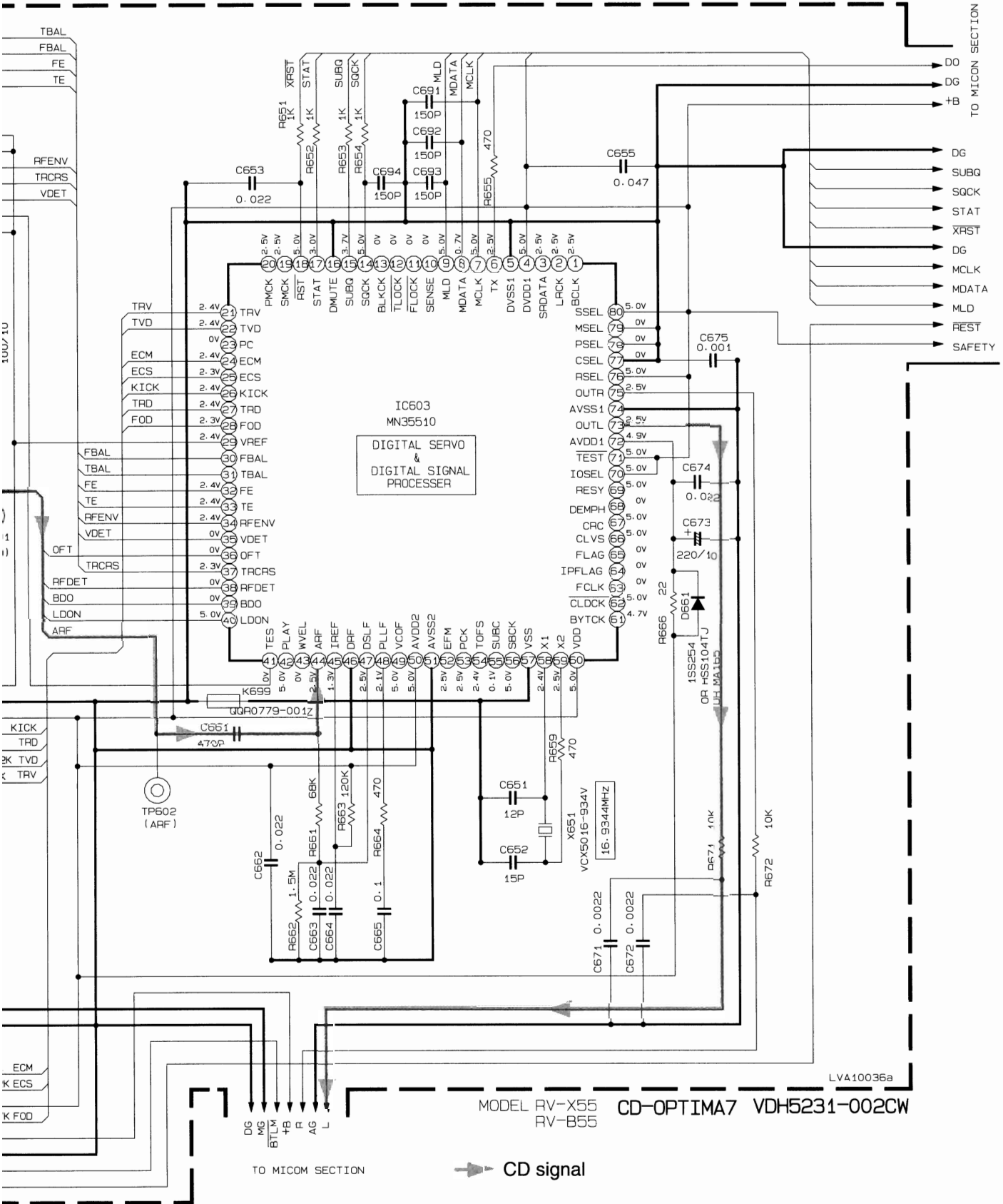
- VOLTAGES ARE DC-MEASURED WITH A DIGITAL VOLT METER
- UNLESS OTHERWISE SPECIFIED, RESISTORS ARE 1/8W ±5% CARBON RESISTOR.  
ALL RESISTANCE VALUES ARE IN Ω(M) (K).  
ALL CAPACITORS ARE CERAMIC CAPACITOR OR MYLAR CAPACITOR.  
ALL CAPACITANCE VALUES ARE IN pF(P=pF).  
ALL E-CAPACITORS ARE SHOWN IN THE FORM OF CAPACITANCE (μF)/RATED VOLTAGE (V)

A

B

C

D







## Parts list(Only the change parts)

### ■ Parts list (General assembly)

Block No.M1MM

REF.	PARTS NAME	PARTS No.		PAGE(Each version)		
		Model equipped with "OPTIMA-150S"	Model equipped with "OPTIMA-7B"	U type	B,E type	J,A type
36	INSULATOR	FMYH4003-003	VKZ4791-001	4-5	5-5	6-5
37	INSULATOR	FMYH4003-004	VKZ4791-001			
105	CARD WIRE	QUQ110-1508AJ	QUQ610-1507AJ	4-6	5-6	6-6

### ■ CD Mechanism ass'y and parts list

Block No.M2MM

Item	PARTS NAME	PARTS No.		PAGE(Each version)		
		Model equipped with "OPTIMA-150S"	Model equipped with "OPTIMA-7B"	U type	B,E type	J,A type
2	OPTICAL PICK UP	OPTIMA-150S	OPTIMA-7B	4-7	4-7	4-7

### ■ Main P.C.B. (Electrical parts list)

Block No.01

REF.	PARTS NAME	PARTS No.		PAGE(Each version)					
		Model equipped with "OPTIMA-150S"	Model equipped with "OPTIMA-7B"	U type	B,E type	J,A type			
C611	C RESISTOR	NCS21HJ-222X	NCS21HJ-472X	4-10	5-8	6-8			
C620	C RESISTOR	NCS21HJ-470X	NCS21HJ-181X						
C621	C RESISTOR	NCS21HJ-821X	—————	Deletion					
C698	C RESISTOR	NCS21HJ-102X	NCS21HJ-101X	4-10	5-8	6-8			
C641	C RESISTOR	—————	NCB21HK-223X	Addition					
C640	C RESISTOR	—————	NCB21HK-822X						
C696	C RESISTOR	—————	NCS21HJ-101X						
C697	C RESISTOR	—————	NCS21HJ-101X						
C699	C RESISTOR	—————	NCS21HJ-101X						
R601	MG RESISTOR	NRSA02J-123X	NRSA02J-113X	4-11	5-9	6-9			
R605	MG RESISTOR	NRSA02J-134X	NRSA02J-274X						
R606	MG RESISTOR	NRSA02J-913X	NRSA02J-154X						
R609	MG RESISTOR	NRSA02J-114X	NRSA02J-104X						
R612	MG RESISTOR	NRSA02J-103X	NRSA02J-102X						
R646	MG RESISTOR	NRSA02J-182X	NRSA02J-222X						
R647	MG RESISTOR	NRSA02J-562X	NRSA02J-472X						
R661	MG RESISTOR	NRSA02J-104X	NRSA02J-683X						
R696	MG RESISTOR	—————	NRSA02J-222X				Addition		
R697	MG RESISTOR	—————	NRSA02J-474X						
IC901	IC	MN171603BJ	MN171603BJ1	4-11	5-9	6-9			